
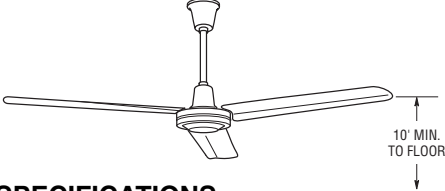


# READ AND SAVE THESE INSTRUCTIONS



**EMERSON**  
**48" & 56"**  
**Industrial Heat Fans**  
**Owner's Manual**

**Model Numbers**  
**HF948BS 1** | **HF956BK 1**  
**HF948W 1** | **HF956BS 1**  
**HF956W 1**



10' MIN.  
TO FLOOR

**SPECIFICATIONS**

Model No.	Power	Amps	Watts	RPM
HF948BS 1 HF948W 1	120V/60Hz	0.62	72	300
HF956BK 1 HF956BS 1 HF956W 1	120V/60Hz	0.82	98	280

**HF948 Net Weight: 18.7 Lbs.**

**HF956 Net Weight: 22.2 Lbs.**

**LIMITED WARRANTY**

**What The Warranty Covers:**  
 This warranty covers the motor and the other components and accessories of your Emerson ceiling fan against all defects in workmanship and materials. You must be the original purchaser or user of the product to be covered.

**What The Period Of Coverage Is:**  
 As it applies to the motor, this warranty will last for two years from the date you purchased your ceiling fan. All other components and accessories are covered by this warranty for one year from the date you purchased your ceiling fan. ANY IMPLIED WARRANTY OF MERCHANTABILITY OR FITNESS FOR A PARTICULAR PURPOSE, MADE WITH RESPECT TO COMPONENTS AND ACCESSORIES IS ALSO LIMITED TO ONE YEAR.

**What Will Emerson Electric Co. Do To Correct Problems:**  
 Emerson Electric Co. will replace a defective Emerson Air Comfort Ceiling Fan motor, blade, component or other accessory at no charge to you. If repair of the motor or blades is not practical or possible within a reasonable time and no replacement can be provided, Emerson Electric Co. will refund the actual purchase price of your fan. We will ship the repaired product or replacement to you at no charge, but you are responsible for all costs or removal, reinstallation and shipping of the product to Emerson Electric Co.

**How Can You Get Service:**  
 YOU MUST HAVE PROOF OF YOUR PURCHASE OF THE CEILING FAN TO OBTAIN LIMITED WARRANTY SERVICE. KEEP YOUR RECEIPT OR OTHER PROOF OF PURCHASE. You can return the product to our factory or to your nearest authorized service center.

- To return the product to the factory, obtain a return authorization and service identification tag by writing to Air Comfort Products, Division of Emerson Electric Co., 8100 W. Florissant Ave., St. Louis, MO 63136. Include all model numbers shown on the product with your request.
- To return the product to an authorized service center, call 1-800-654-3545 for the address of the nearest authorized service center.

You will be responsible for all insurance, freight or other transportation charges to our factory or authorized service center. Your Emerson Air Comfort Ceiling Fan should be properly packed to avoid damage in transit since we will not be responsible for any such damage.

**What Is Not Covered:**  
 The glass globes and light bulbs of your ceiling fan are not covered by this warranty. This warranty also does not cover any defects, malfunctions or failures caused by:

- Repairs by persons not authorized by Emerson Electric Co.,
- Use of parts or accessories not authorized by Emerson Electric Co.,
- Mishandling, improper installation, modifications or damage to your ceiling fan while in your possession, or
- Unreasonable use, misuse, abuse, including failing to do reasonable and necessary maintenance, and normal wear and tear.

Additionally, this warranty and any implied warranty of merchantability or fitness for a particular purpose are voided when:

- The original purchaser or user ceases to own the product, or
- The fan is moved from its original point of installation.

This warranty is only valid within the 50 states of the United States and the District of Columbia. No other written or oral warranties apply, and no employee, agent, dealer or other person is authorized to give any warranties on behalf of Emerson Electric Co.

REPAIR, REPLACEMENT OR A REFUND ARE THE EXCLUSIVE REMEDIES AVAILABLE UNDER THIS WARRANTY AND EMERSON IS NOT RESPONSIBLE FOR DAMAGES OF ANY KIND, INCLUDING INCIDENTAL AND CONSEQUENTIAL DAMAGES. Incidental damages include but are not limited to such damages as loss of time and loss of use. Consequential damages include but are not limited to the cost of repairing or replacing other property which was damaged if this product does not work properly.

**How State Law Relates To The Warranty:**  
 Some states do not allow the exclusion or limitation of incidental or consequential damages so the above exclusion or limitation may not apply to you. This warranty gives you specific legal rights, and you may also have other rights which vary from state to state.

 **WARNING**

**WARNING:** To avoid fire, shock, and serious personal injury, follow these instructions.

**Safety Instructions**

1. Read your owner's manual carefully and keep it for future reference.
2. Before servicing or cleaning unit, switch power off at service panel and lock service panel disconnecting means to prevent power from being switched on accidentally. When the service disconnecting means cannot be locked, securely fasten a warning device, such as a tag, to the service panel.
3. Be careful of the fan and blades when cleaning, painting, or working near the fan. Always turn off the power to the ceiling fan before servicing.
4. Suitable for use with solid-state speed controls.
5. Do not bend the blade flanges when installing the blades, balancing the blades, or cleaning the fan. Do not insert foreign objects in between the rotating blades.

**Additional Safety Instructions for Installation**

1. To avoid possible shock, be sure electricity is turned off at the fuse box before wiring, and do not operate fan without blades.
2. All wiring must satisfy National and Local Electrical Codes. Use the National Electrical Code if Local Codes do not exist. The ceiling fan must be grounded as a precaution against possible electrical shock. Electrical installation should be made or approved by a licensed electrician.
3. The outlet box and joist must be securely mounted and capable of reliably supporting at least 50 pounds. Use only U.L. outlet boxes listed as "Acceptable for Fan Support of 50 lbs or less", and use the mounting screws provided with the outlet box. Most outlet boxes commonly used for support of light fixtures are not acceptable for fan support and may need to be replaced. Consult a qualified electrician if in doubt.
4. The fan must be mounted with the fan blades at least 10 feet from the floor to prevent accidental contact with the fan blades.
5. Suitable for use with solid-state speed controls.
6. Always properly connect the retention cable included with this fan (follow the "Installation Instructions" section carefully).
7. The support beam or joist must be secure and capable of supporting at least 50 pounds.
8. Follow the recommended instructions for the proper method of wiring your ceiling fan. If you do not know enough about electrical wiring, have your fan installed by a licensed electrician.

**WARNING:** To avoid fire, shock or injury, do not use an Emerson or any other brand of control not specifically approved for this fan.

**WARNING:** This product is designed to use only those parts supplied with this product and/or any accessories designated specifically for use with this product by Emerson Electric Co. Substitution of parts or accessories not designated for use with this product by Emerson Electric Co. could result in personal injury or property damage.

**WARNING:** To reduce the risk of personal injury, do not bend the blade flange when installing the blade flanges, balancing the blades or cleaning the fan. Do not insert foreign objects in between rotating fan blades.

**WARNING:** To reduce the risk of electric shock, this fan must be installed with an isolating wall control/switch.

**DATE CODE:** \_\_\_\_\_

The date code of this fan may be found on the box, stamped in ink on a white label. You should record this data above and keep it in a safe place for future use.

## Checking Contents of Package

Before discarding packaging material, be certain all parts have been removed.

1. Unpack the items carefully to avoid damage to any of the components.
2. Make certain you receive the following parts:
  - a. Motor subassembly
  - b. Blades (3 each)
  - c. Upper canopy
  - d. Lower canopy
  - e. J-hook bag assembly containing:
    1. J-hook (2 each)
    2. Flat washers (2 each)
    3. Lock washers (2 each)
    4. Hex nuts (2 each)
  - f. 24" Hanger pipe assembly
  - g. 8" Hanger pipe(HF948 Only)
  - h. Bag of parts containing:
    1. Wire connectors (3 each)
    2. Cable clamps (2 each)
    3. M6 x 1/2" Hex head screws (6 each)
    4. M6 Spring washers (6 each)
    5. Blade gaskets (3 each)
    6. Clevis pin
    7. Hairpin clip
    8. 5/16-18 x 1/4" Setscrews (2 each)
    9. Allen wrench

**NOTE: Intermixing blades between fans can cause excessive wobble. Keep blades in original sets of three.**

### **WARNING**

Do not install or use fan if any part is damaged or missing. Call Toll-Free:

**1-800-654-3545**

### **WARNING**

This product is designed to use only those parts supplied with this product and/or any accessories designated specifically for use with this product by Emerson Electric Co. Substitution of parts or accessories not designated for use with this product by Emerson Electric Co. could result in personal injury or property damage.

## Electrical Requirements

Your new ceiling fan will require a grounded electrical supply line of 120 volts AC, 60 Hz, 15 amp circuit.

The outlet box must be securely anchored and capable of withstanding a load of at least 50 pounds.

### **WARNING**

Turning off wall switch is not sufficient. To avoid possible electrical shock, be sure electricity is turned off at the main fuse box before wiring. All wiring must be in accordance with National and Local codes and the ceiling fan must be properly grounded as a precaution against possible electrical shock.

## Fan Assembly Instructions

1. Put the upper canopy and lower canopy on the hanger pipe assembly, facing in the proper direction. (See Figure 1.)

**NOTE: For HF948 Only. If you are going to use the 8" pipe, first remove the hanger assembly from the 22" pipe and install it on the 8" pipe. Be sure that the nut is securely tightened and the hairpin clip properly installed.**

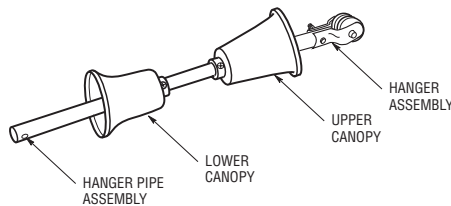


Figure 1

2. Pass the motor wires and retention cable through the hanger pipe assembly and seat the hanger pipe in the motor yoke. (See Figure 2.)

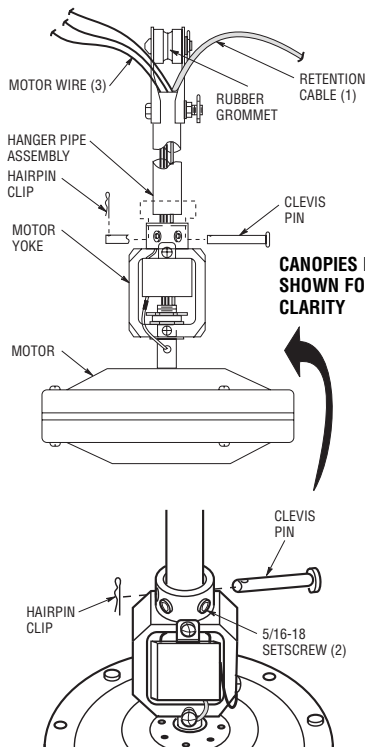


Figure 2

- 3. Align the clevis pin holes in the hanger pipe with the holes in the motor yoke. Install the clevis pin and secure with the hairpin clip (Figure 2). The clevis pin must go through the holes in the motor yoke and the holes in the hanger pipe. Push the straight leg of the hairpin clip through the hole near the end of the clevis pin until the curved portion of the hairpin clip snaps around the clevis pin. The hairpin clip must be properly installed to prevent the clevis pin from working loose. Pull on the rubber grommet to make sure the clevis pin is properly installed.
- 4. Install and securely tighten the two 5/16-18 setscrews in the motor yoke against the hanger pipe using the allen wrench supplied. (Figure 2.)

**WARNING**

It is critical that the clevis pin in the motor coupling is properly installed and the setscrews securely tightened. Failure to verify that the pin and setscrews are properly installed (as shown in Figure 3) could result in the fan falling.

- 5. Slide the lower canopy down the hanger pipe and securely tighten the set-screw against the hanger pipe. (See Figure 3.)

**CAUTION: Blades come in balanced sets of three. Do not mix blades if installing more than one fan.**

- 6. Install the blade gaskets between the blades and the motor. (See Figure 3.)
- 7. Install the three blades onto the motor using spring washers, M6 x 1/2" screws and blade gaskets supplied. Securely tighten the six blade screws.

**WARNING**

To reduce the risk of personal injury, do not bend the blade flanges when installing the blades, balancing the blades, or cleaning the fan. Do not insert foreign objects between rotating fan blades.

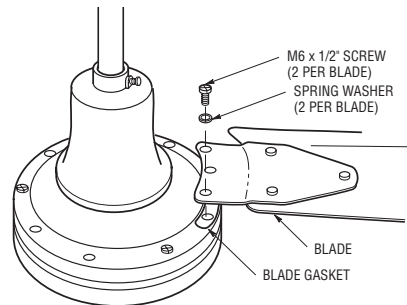


Figure 3

## Hanging Your Heat Fan

**⚠ WARNING**  
 Turning off wall switch is not sufficient. To avoid possible electrical shock, be sure electricity is turned off at the main fuse box before wiring. All wiring must be in accordance with National and Local codes and the ceiling fan must be properly grounded as a precaution against possible electrical shock.

**⚠ WARNING**  
 To reduce the risk of fire, electric shock, or personal injury:  
 a. The fan must be hung with at least 10 foot of clearance from floor to blades. (See Figure 4).  
 b. Your support beam or joist must be secure and capable of withstanding a load of at least 50 pounds.

**⚠ WARNING**  
 The fan must be hung with at least 10' of clearance from floor to blades (Figure 4).

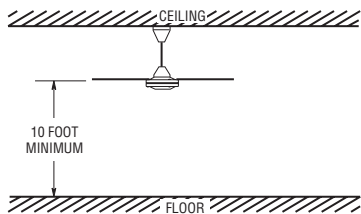


Figure 4

**⚠ WARNING**  
 Read and follow instructions carefully. Failure to comply with instructions could result in risk of fire, electric shock, fan falling and injury to persons.

**⚠ WARNING**  
 J-Hook must be supported by building structure.

1. Attach the appropriate J-hook to the building structure member.

**On Steel Beam** - Locate and drill a 13/32" diameter hole in the beam. (See Figure 5.) Use a flat washer, lock washer and nut on both sides of the beam. Position the J-hook so that the hook extends 2-1/2" out of outlet box. Securely tighten both nuts. (See Figure 5.)

**CAUTION:** When the threaded bolt hook is used, be careful to securely tighten with supplied lockwashers and nuts.

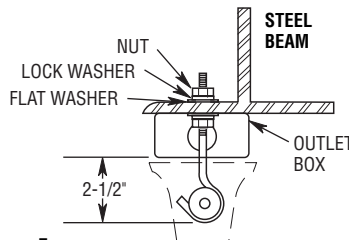


Figure 5

**On Wood Joist** - Locate and drill a pilot hole in the wood joist. Install the screw type J-hook so that hook extends 2-1/2" below the outlet box. (See Figure 6.)

**CAUTION:** The pilot hole should be drilled no larger than the minor diameter of the screw threads on the hook (1/4" max.). Do not put a lubricant on the J-hook. At least 1-1/2" of the screw threads should be secured into the structural wood joist.

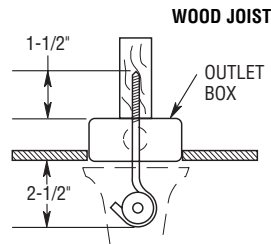


Figure 6

- 2. Lift the fan onto the J-hook and position as shown in Figure 7. Make sure the motor wires and retention cable at the top of the hanger pipe are positioned behind J-hook as illustrated in Figure 7.

**CAUTION: The electrical wires and retention cable must not be placed between the rubber roller and the hook, but rather as illustrated in Figure 7.**

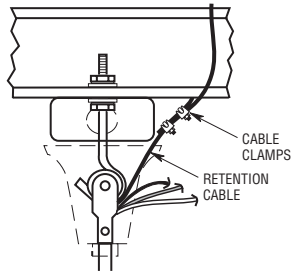


Figure 7

- 3. This fan is equipped with the required retention cable. This cable must be affixed to the building structure and securely clamped in such a manner to support the weight of the fan in the event the mounting hook or other parts fail. After wrapping cable around or to a structural member that will support 50 pounds, secure cable with supplied cable clamps as illustrated in Figure 8.

**NOTE: Leave approximately 3" but no more than 5" of slack on this safety cable to allow for possible fan movement. Do not exceed more than 5" total slack.**

**CAUTION: It is important to note the proper installation position of the cable clamps as illustrated in Figure 8. To obtain maximum holding power, install U-bolt section of clip on dead or short end of cable and saddle on long end of cable. Improper installation reduces the efficiency of the connection by as**

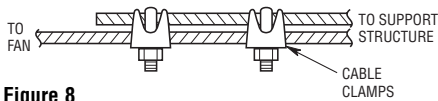


Figure 8

## Wiring Your Heat Fan

### ⚠ WARNING

To avoid possible fire or electrical shock, do not pinch wires between the hanger ball/downrod assembly and hanger bracket.

**NOTE: If you feel that you do not have enough electrical wiring knowledge or experience, have your fan installed by a licensed electrician.**

### ⚠ WARNING

To avoid possible electrical shock, be sure electricity is turned off at the main fuse box before wiring.

**NOTE: If you are not sure if the outlet box is grounded, contact a licensed electrician for advice, as it must be grounded for safe operation.**

- 1. Connect the green grounding wire from the fan motor to the green grounding wire from the supply source. Securely connect wires with wire connectors supplied. (See Figure 9.)

**CAUTION: Use larger U.L. listed wire connectors if supply source wires are larger than #12 AWG.**

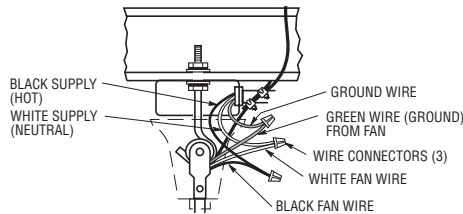


Figure 9

- 2. Securely connect the fan motor white wire to the supply white (neutral) wire using a wire connector supplied (Figure 9). Securely connect the fan motor black wire to the supply black (hot) wire using wire connector supplied. After connections have been made, turn leads upward and carefully push leads into the outlet box, with the white and green leads on one side of the outlet box and the black leads on the other side of the outlet box.

**⚠ WARNING**

Check to see that all connections are tight, including ground, and that no bare wire is visible at the wire connectors, except for the ground wire.

**CAUTION:** Do not operate fan until blades are in place. Noise and fan damage could result.

**⚠ WARNING**

To avoid possible fire or shock, make sure that the electrical wires are completely inside the outlet box and not pinched between the ceiling cover and the ceiling.

- 3. Slide the upper canopy up the rod within 1/4" of the ceiling or beam and securely tighten the setscrew.
- 4. If a remote speed control is to be used refer to the instructions included with that control for proper installation and wiring.
- 5. Restore power.
- 6. After completing installation, test run fan in normal operation manner. Inspect for any possible shake or wobble which may be caused by binding as a result of "tight cable". If this should happen, shut off power supply and re-check instructions to correct problem.

**NOTE:** When any solid state motor speed control is used, a humming noise may be present in the fan on low speed. This hum in no way affects the operation of the fan and is acceptable in most industrial installations.

## Maintenance

**⚠ WARNING**

To avoid possible electrical shock, be sure electricity is turned off at the main service box before servicing.

**LUBRICATION** - All bearings are permanently lubricated and do not require further lubrication.

**CLEANING** - This fan may be wiped off with a damp cloth. Do not allow the motor to get wet. Do not use solvents or harsh detergents.

**⚠ WARNING**

Do not use water when cleaning your ceiling fan. It could damage the motor or the blades and create the possibility of an electrical shock.

## Accessories

- 1. Downrod Extension Kits (see store or catalog).
- 2. Ceiling Fan/Light Controls (see store or catalog).
- 3. Suitable for use with Emerson Solid-State Speed Control.

**⚠ WARNING**

The use of any other control not specifically approved for this fan could result in fire, shock and personal injury.

**⚠ WARNING**

This product is designed to use only those parts supplied with this product and/or any accessories designated specifically for use with this product by Emerson Electric Co. Substitution of parts or accessories not designated for use with this product by Emerson Electric Co. could result in personal injury or property damage.

## Repair Parts Listing

Key No.	Description	Part Numbers				
		Model No. HF948BS 1	Model No. HF948W 1	Model No. HF956BK 1	Model No. HF956BS 1	Model No. HF956W 1
1	J-Hook Bag Assembly: J-Hooks (2 each) Hardware (2 each)	761385	761385	761385	761385	761385
2	Hanger Assembly	761339	761339	761339	761339	761339
3	Pipe Nipple (8")	761387-5	761387-2	—	—	—
4	Pipe Nipple (22")	761387-6	761387	761387-4	761387-7	761387
5	Upper Canopy	761335-BS	761335	761335-2	761335-BS	761335
6	Lower Canopy	761336-BS	761336	761336-2	761336-BS	761336
7	Blades (Set of 3)	763095-BS	763095	763094-1	763094-BS	763094
8	Capacitor	—	—	—	—	—
*	Parts Bag, Containing:	761384	761384	761384	761384	761384
9	5/16-18 x 1/4" Setscrews (2 ea.)	—	—	—	—	—
10	Hairpin Clip	—	—	—	—	—
11	Clevis Pin	—	—	—	—	—
12	Cable Clamp (2 each)	—	—	—	—	—
13	Screw, M6 x 1/2" (6 each)	—	—	—	—	—
14	Spring Washer, M6 (6 each)	—	—	—	—	—
15	Blade Gasket (3 each)	—	—	—	—	—
16	Wire Connector (3 each)	—	—	—	—	—
17	Allen Wrench	—	—	—	—	—
—	Owner's Manual	BP7311-1	BP7311-1	BP7311-1	BP7311-1	BP7311-1

**Before discarding packaging material, be certain all parts have been removed.**

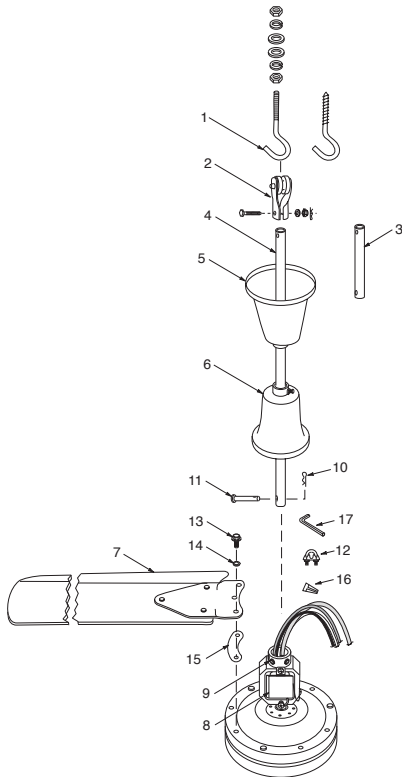
### HOW TO ORDER REPAIR PARTS

WHEN ORDERING REPAIR PARTS, ALWAYS GIVE THE FOLLOWING INFORMATION:

- PART NUMBER
- NAME OF ITEM
- PART DESCRIPTION
- MODEL NUMBER

The model number of your Fan will be found on a label attached to the top housing.

For repair parts, phone 1-800-654-3545.



**EMERSON**

**Air Comfort Products**

DIVISION OF EMERSON ELECTRIC CO.  
8100 W. Florissant • St. Louis, MO 63136

Part No. F40BP73110001 Printed in China 01/08  
Form No. BP7311-1 U.L. Model No.: HF948, HF956