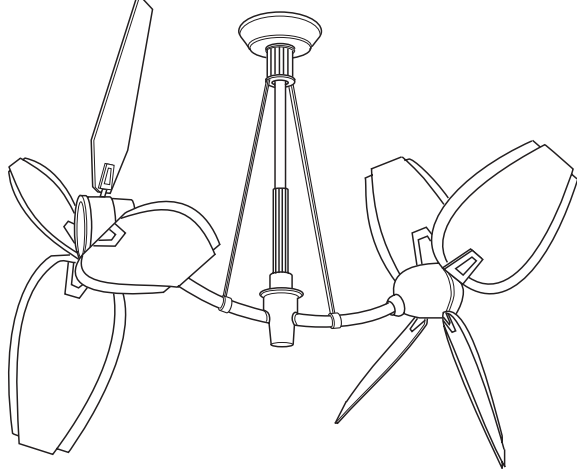


READ AND SAVE THESE INSTRUCTIONS



EMERSON™

ST CROIX™

**Damp Location
Ceiling Fan
Owner's Manual**

Model Numbers

CF3300AP

CF3300RH

**Blades & Downrod Kit Sold Separately
Two Person Installation Required**

Net Weight: 44.8 Lbs.

LIMITED WARRANTY

What The Warranty Covers:

This warranty covers the motor and the other components and accessories of your Emerson ceiling fan against all defects in workmanship and materials. You must be the original purchaser or user of the product to be covered.

What The Period Of Coverage Is:

As it applies to the motor, this warranty will last for a lifetime of your ceiling fan. All other components and accessories are covered by this warranty for one year from the date you purchased your ceiling fan. ANY IMPLIED WARRANTY OF MERCHANTABILITY OR FITNESS FOR A PARTICULAR PURPOSE, MADE WITH RESPECT TO COMPONENTS AND ACCESSORIES IS ALSO LIMITED TO ONE YEAR.

What Will Emerson Electric Co. Do To Correct Problems:

Emerson Electric Co. will replace a defective Emerson Air Comfort Ceiling Fan motor, blade, component or other accessory at no charge to you. If repair of the motor or blades is not practical or possible within a reasonable time and no replacement can be provided, Emerson will refund the actual purchase price of your fan. **WE WILL SHIP THE REPAIRED PRODUCT OR REPLACEMENT TO YOU AT NO CHARGE, BUT YOU ARE RESPONSIBLE FOR ALL COSTS OF REMOVAL, REINSTALLATION AND SHIPPING OF THE PRODUCT TO EMERSON ELECTRIC CO.**

How Can You Get Service:

YOU MUST HAVE PROOF OF YOUR PURCHASE OF THE CEILING FAN TO OBTAIN LIMITED WARRANTY SERVICE. KEEP YOUR RECEIPT OR OTHER PROOF OF PURCHASE. You can return the product to our factory or to your nearest authorized service center.

- To return the product to the factory, obtain a return authorization and service identification tag by writing to Air Comfort Products, Division of Emerson Electric Co., 8100 W. Florissant Ave., St. Louis, MO 63136. Include all model numbers shown on the product with your request.
- To return the product to an authorized service center, call 1-800-654-3545 for the address of the nearest authorized service center.

You will be responsible for all insurance, freight or other transportation charges to our factory or authorized service center. Your Emerson Air Comfort Ceiling Fan should be properly packed to avoid damage in transit since we will not be responsible for any such damage.

What Is Not Covered:

The glass globes and light bulbs of your ceiling fan are not covered by this warranty. This warranty also does not cover any defects, malfunctions or failures caused by:

- Repairs by persons not authorized by Emerson Electric Co.,
- Use of parts or accessories not authorized by Emerson Electric Co.,
- Mishandling, improper installation, modifications or damage to your ceiling fan while in your possession, or
- Unreasonable use, misuse, abuse, including failing to do reasonable and necessary maintenance, and normal wear and tear.

Additionally, this warranty and any implied warranty of merchantability or fitness for a particular purpose are voided when:

- The original purchaser or user ceases to own the product, or
- The fan is moved from its original point of installation.

This warranty is only valid within the 50 states of the United States and the District of Columbia. No other written or oral warranties apply, and no employee, agent, dealer or other person is authorized to give any warranties on behalf of Emerson Electric Co.

REPAIR, REPLACEMENT OR A REFUND ARE THE EXCLUSIVE REMEDIES AVAILABLE UNDER THIS WARRANTY AND EMERSON IS NOT RESPONSIBLE FOR DAMAGES OF ANY KIND, INCLUDING INCIDENTAL AND CONSEQUENTIAL DAMAGES. Incidental damages include but are not limited to such damages as loss of time and loss of use. Consequential damages include but are not limited to the cost of repairing or replacing other property which was damaged if this product does not work properly.

How State Law Relates To The Warranty:

Some states do not allow the exclusion or limitation of incidental or consequential damages so the above exclusion or limitation may not apply to you. This warranty gives you specific legal rights, and you may also have other rights which vary from state to state.

▲ WARNING

WARNING: To avoid fire, shock, and serious personal injury, follow these instructions.

Safety Instructions

1. Read your owner's manual carefully and keep it for future reference.
2. Before servicing or cleaning unit, switch power off at service panel and lock service panel disconnecting means to prevent power from being switched on accidentally. When the service disconnecting means cannot be locked, securely fasten a warning device, such as a tag, to the service panel.
3. Be careful of the fan and blades when cleaning, painting, or working near the fan. Always turn off the power to the ceiling fan before servicing.
4. Do not put anything into the fan blades while they are turning.
5. Do not operate reversing switch until fan blades have come to a complete stop.

Additional Safety Instructions for Installation

1. To avoid possible shock, be sure electricity is turned off at the fuse box before wiring, and do not operate fan without blades.
2. All wiring must be in accordance with the National Electrical Codes "ANSI/NFPA 70-1999" and Local Electrical Codes. Use the National Electrical Code if Local Codes do not exist. The ceiling fan must be grounded as a precaution against possible electrical shock. Electrical installation should be made or approved by a licensed electrician.
3. The fan mounting bracket must be surely mounted and capable of reliably supporting at least 100 lbs. Outlet boxes are not acceptable for fan support. See Page 6 of owner's manual for support requirements. Consult a qualified electrician if in doubt.

CAUTION: To reduce the risk of personal injury, mount the fan base to a ceiling joist or structural member using the hardware provided with your fan.

WARNING: Support Directly from Building Structure.

4. The fan must be mounted with the fan blades at least 7 feet from the floor to prevent accidental contact with the fan blades.
5. Follow the recommended instructions for the proper method of wiring your ceiling fan. If you do not know enough about electrical wiring, have your fan installed by a licensed electrician.

WARNING: To avoid fire, shock or injury, do not use an Emerson or any other brand of control not specifically approved for this fan.

WARNING: This product is designed to use only those parts supplied with this product and/or any accessories designated specifically for use with this product by Emerson Electric Co. Substitution of parts or accessories not designated for use with this product by Emerson Electric Co. could result in personal injury or property damage.

WARNING: To reduce the risk of personal injury, do not bend the blade flange when installing the blade flanges, balancing the blades or cleaning the fan. Do not insert foreign objects in between rotating fan blades.

NOTE: This fan is suitable for use with solid-state speed controls.

WARNING: To reduce the risk of fire or electric shock, this fan should only be used with fan speed control SW22, manufactured by Rhine Electric Co., Ltd.

WARNING: To reduce the risk of electrical shock, this fan must be installed with an isolating wall control/switch.

WARNING: To reduce the risk of fire, electric shock, and injury to persons, ceiling fan must be installed with fan blades and light kits that are marked to indicate the suitability with this model. Other blades and light kits can not be substituted.

DATE CODE: _____

The date code of this fan may be found on the box, stamped in ink on a white label.

You should record this data above and keep it in a safe place for future use.

**THIS FAN IS SUITABLE FOR DAMP LOCATIONS
SUCH AS COVERED PORCHES, COVERED PATIOS, AND COVERED
DECKS...ANYWHERE THERE IS A ROOF OVERHEAD.**

Tools Needed for Assembly

- One Phillips head screwdriver One stepladder
- One 1/4" blade screwdriver One wire stripper
- One 5/16" open end wrench or pliers
- 7/16", 1/2" & 9/16" wrench or socket wrench
- One 1/4" drill bit

<u>Installed Wire Length</u>	<u>Wire Size A.W.G.</u>
Up to 50 ft.	14
50-100 ft.	12

MATERIALS

Wiring outlet box and box connectors must be of type required by the local code. The minimum wire would be a 3-conductor (2-wire with ground) of following size:

⚠ WARNING
Before you assemble your ceiling fan, refer to section on proper method of wiring your fan (page 8). If you feel you do not have enough wiring knowledge or experience, have your fan installed by a licensed electrician.

Unpacking Instructions

For your convenience, check-off boxes are provided next to each step. As each step is completed, place a check mark in the box. This will insure that all steps have been completed and will be helpful in finding your place should you be interrupted.

⚠ WARNING
Do not install or use fan if any part is damaged or missing. Call Toll-Free: 1-800-654-3545

⚠ WARNING
This product is designed to use only those parts supplied with this product and/or any accessories designated specifically for use with this product by Emerson Electric Co. Substitution of parts or accessories not designated for use with this product by Emerson could result in personal injury or property damage.

1. Check to see that you have received the following parts:

NOTE: If you are uncertain of part description, refer to exploded view illustration.

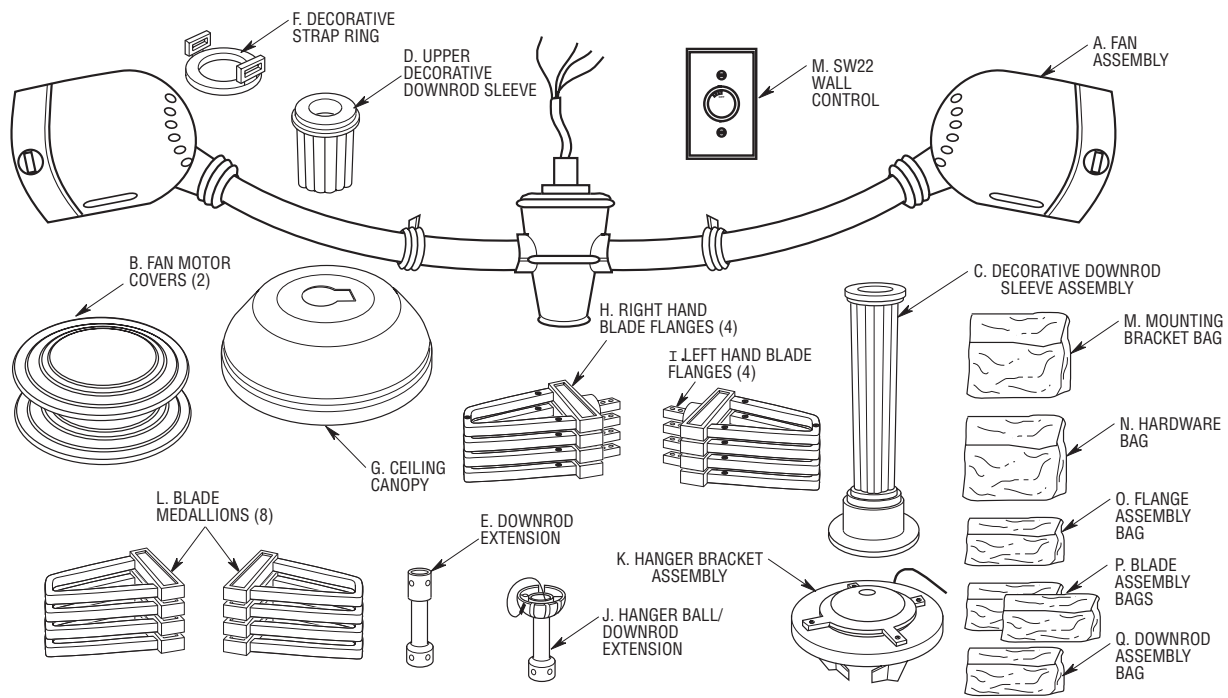
NOTE: Blades and downrod kit sold separately.

- a. Fan assembly
- b. Two fan motor covers
- c. One decorative downrod sleeve
- d. One upper decorative downrod sleeve assembly
- e. One decorative strap ring
- f. One ceiling canopy
- g. Four right hand blade flanges
- h. Four left hand blade flanges
- i. One hanger ball/downrod extension assembly
- j. One hanger bracket assembly
- k. Eight blade medallions
- l. One SW22 wall control with almond and white knobs

- m. Mounting bracket bag, containing:
 - 1. One 3/8 x 2" lag bolt
 - 2. One 3/8 x 5" lag bolt
 - 3. Two 3/8" flat washers
 - 4. One brass barrel nut
 - 5. One bushing
 - 6. One ceiling support cable
 - 7. One 5/32 x 10mm phillips screw
- n. One hardware bag, containing:
 - 1. Five wire connectors
 - 2. One 1/16" hex wrench
 - 3. One clevis pin
 - 4. One hair pin clip
 - 5. Two threaded studs
 - 6. Two lockwashers
 - 7. Two knurled knobs
 - 8. Two 5/16-18 x 1/4" cup point setscrews
 - 9. One 3/16" hex wrench
- o. One flange assembly bag, containing:
 - 1. Seventeen #8-32 x 15mm flat head screws
- p. Two blade assembly bags, each containing:
 - 1. Twenty-five #10-32 x 18mm oval head screws
- q. One downrod assembly bag, containing:
 - 1. Nine 1/4 x 10mm round head screws

NOTE: Keep all bags unopened until time of assembly. Then place the parts from each loose parts bags in a small container to keep them from being lost. If any parts are missing, contact your local retailer or catalog outlet for replacement before proceeding.

2. Remove the fan assembly from the protective plastic bag. Place the fan assembly into the foam pad with the downrod coupling facing up. The foam pad serves as a holder for the fan during the first stages of assembly.



How to Put Your Ceiling Fan Together

1. Loosely install both 5/16-18 x 1/4" cup point setscrews (supplied) into the downrod coupling. Separate, untwist and unkink the three 80" motor leads and support wire. Route the motor lead wires and support wire through the downrod extension. Align the clevis pin holes in the downrod extension with the holes in the downrod coupling. Install the clevis pin and secure with the hairpin clip (Figure 1). The clevis pin must go through the holes in the downrod coupling and the holes in the downrod extension. Be sure to push the straight leg of the hairpin clip through the hole near the end of the clevis pin until the curved portion of the hairpin clip snaps around the clevis pin. The hairpin clip must be properly installed to prevent the clevis pin from working loose. Pull on the downrod extension to make sure the clevis pin is properly installed.

2. While pulling up on the downrod extension, securely tighten the two setscrews in the downrod coupling using the 3/16" hex wrench (supplied). The setscrews must be tightened into the downrod extension. A loose extension downrod will result with fan assembly noise and vibration.

▲ WARNING

It is critical that the clevis pin in the downrod coupling is properly installed and the setscrews securely tightened. Failure to verify that the pin and setscrews are properly installed (as shown in Figure 1) could result in the fan falling.

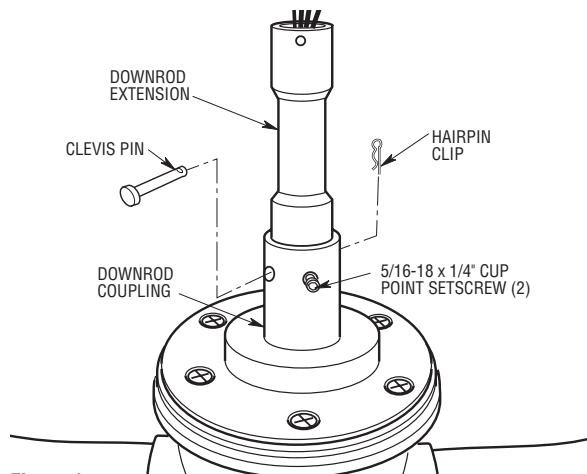


Figure 1

NOTE: For ease of installation, loosely tape the ends of the motor leads and the support wire together to route through downrod during fan installation.

3. Route the motor leads and support wire through the downrod (Figure 2).
4. Securely attach the downrod to the downrod extension using the four 1/4 x 10mm round head screws (supplied in the downrod assembly bag). The round head screws must be fully tightened into the downrod extension. A loose downrod will result with fan assembly noise and vibration.

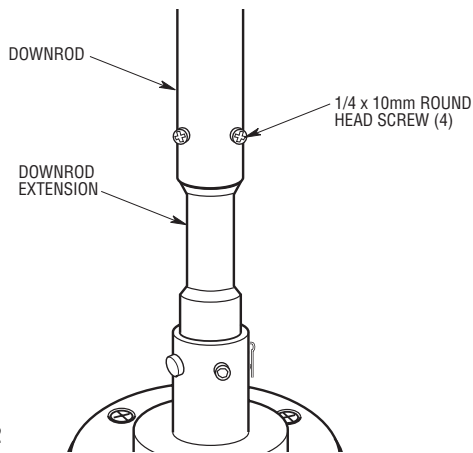


Figure 2

- 5. Route the motor lead wires and support wire through the decorative downrod sleeve assembly. Carefully slide the decorative downrod sleeve assembly over the downrod and set firmly on downrod coupling (Figure 3).
- 6. Using the hex wrench (supplied), tighten the three setscrews located at the top of the decorative downrod sleeve assembly (Figure 3).

NOTE: It is important that all setscrews are securely tightened and the decorative downrod sleeve assembly is secure. To not overtighten setscrews.

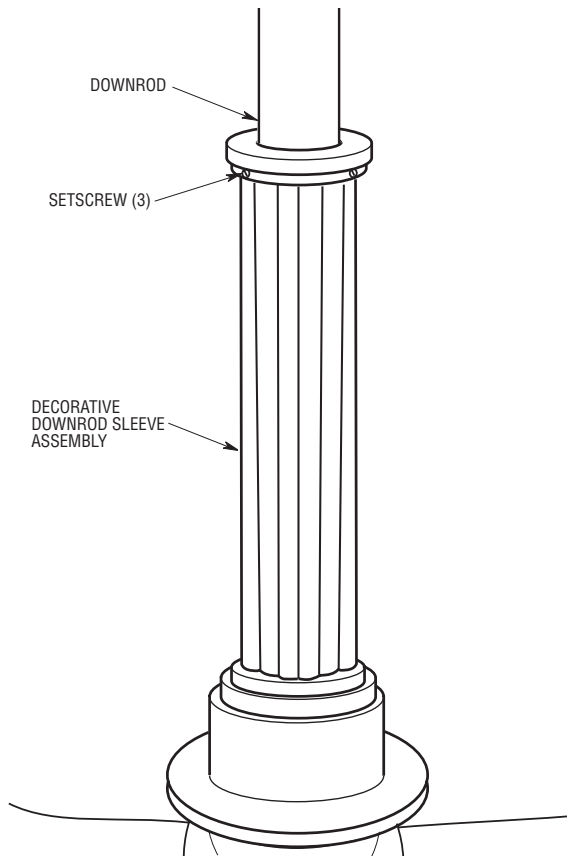


Figure 3

- 7. Route the motor lead wires and support wire through the upper decorative downrod sleeve and the decorative strap ring (Figure 4). Careful not to scratch the downrod with the sleeve and ring during installation.

NOTE: Be careful not to scratch the downrod during installation.

- 8. Position the upper decorative downrod sleeve and the decorative strap ring just above the decorative downrod sleeve assembly during initial installation (Figure 4).

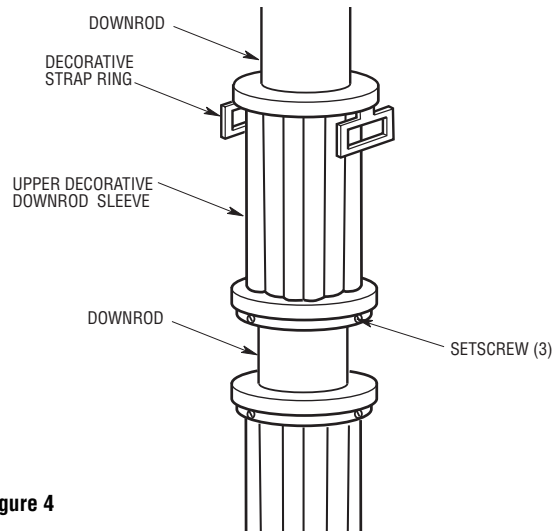


Figure 4

NOTE: Apply masking tape to the entire edge of the ceiling canopy center hole to prevent accidental scratching of downrod surface (Figure 5).

- 9. Route the motor lead wires and support wire through the ceiling canopy (Figure 5). Use extreme caution not to scratch the downrod with the ceiling canopy during installation.

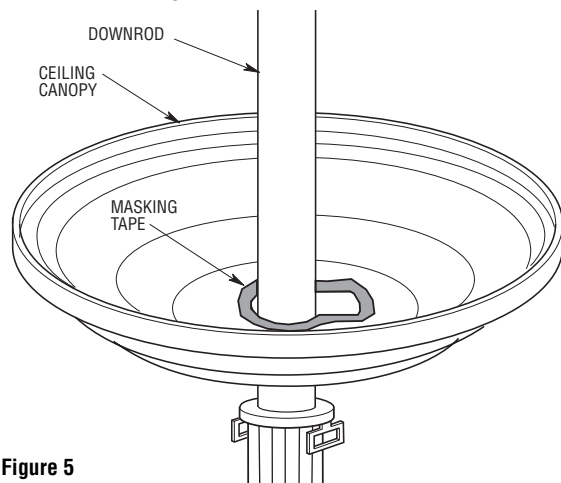


Figure 5

NOTE: Be careful not to scratch the downrod during installation.

- 10. Route the motor lead wires and support wire through the downrod extension and the hanger ball (Figure 6).
- 11. Securely attach the downrod to the downrod extension/hanger ball using the four 1/4 x 10mm round head screws (supplied in the downrod assembly bag) (Figure 6). The round head screws must be fully tightened into the downrod extension. A loose downrod will result with fan assembly noise and vibration.
- 12. Be sure the hanger ball setscrews are securely tighten at this time.
- 13. The fan comes with blue, black and white leads that are 80-inches long. Before installing the fan, measure up approximately 6 to 9-inches above top of hangerball/downrod assembly. Cut off excess leads and strip back insulation 1/2-inch from end of leads.

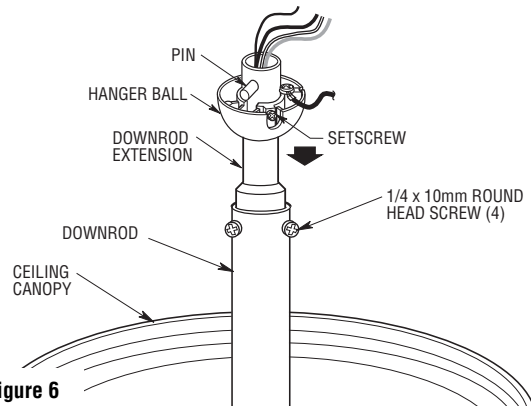


Figure 6

- 14. Downrod assembly is now complete.

Electrical Requirements

Your new ceiling fan will require a grounded electrical supply line of 120 volts AC, 60 Hz, 15 amp circuit.

⚠ WARNING

To avoid possible electrical shock, be sure electricity is turned off at the main fuse box before wiring.

NOTE: If you are not sure if the outlet box is grounded, contact a licensed electrician for advise, as it must be grounded for safe operation.

The fan hanger bracket assembly shall be supported directly from the supporting building structure. An electrical box is not acceptable for fan support. The building structure must be capable of supporting a load of at least 100 pounds. Consult a qualified professional to determine if your installation meets the structural requirements.

⚠ WARNING

To avoid fire or shock, follow all wiring instructions carefully.

Any electrical work not described in these instructions should be done or approved by a licensed electrician.

How to Hang Your Ceiling Fan

IMPORTANT

Do not attach fan blades to fan assembly until the fan assembly is securely installed to the ceiling. Hanging the fan with blades attached may result in damage to the fan blades.

⚠ WARNING

The fan must be hung with at least 7' of clearance from floor to blades (Figure 7).

⚠ WARNING

Support directly from building structure. Structure must be capable of reliably supporting 100 pounds.

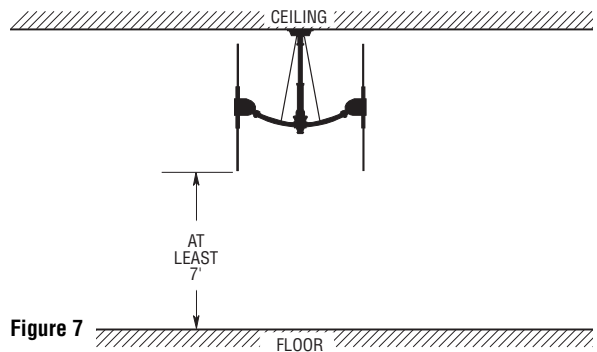


Figure 7

- 1. Securely attach the ceiling support wire to the ceiling joist or structural member using the 3/8 x 2" hex lag bolt and flat washer. Drill a maximum diameter 1/4" pilot hole into the supporting member to prevent splitting or cracking. Install a washer onto the screw and insert the screw through one of the loops (Figure 8). Securely tighten the screw into the structure.

IMPORTANT

Do not use any lubricant when installing the lag bolts.

IMPORTANT

The pilot holes should be drilled no larger than the minor diameter of the mounting screw threads, and at least 1-1/2 inches of the threaded part of the mounting screw should be inches secured into a structural wood joist to provide secure mounting.

- 2. Drill a second maximum diameter 1/4" pilot hole up through the center of the electrical box (Figure 8). Install the hanger bracket assembly using 3/8 x 5" lag bolt and 3/8" flat washer. Route the electrical supply wires through the opening provided on the hanger bracket. Do not completely tighten the lag bolt, leave it loose enough such that the hanger bracket assembly can be freely rotated against the electrical box.
- 3. Temporarily hang the ceiling fan assembly on the hanger bracket, be sure the hanger ball groove engages the hanger bracket tab. Rotate the fan assembly and hanger bracket to the desired orientation. Remove the fan assembly from the hanger bracket.
- 4. Completely tighten the center lag bolt while holding the hanger bracket in the desired position.

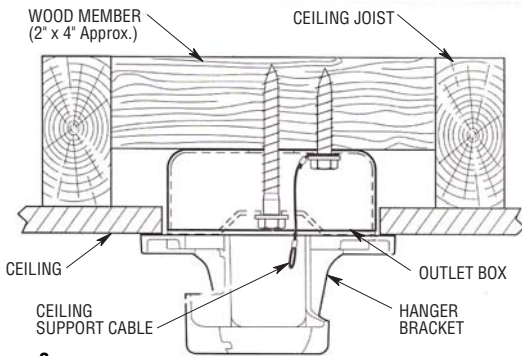


Figure 8

IMPORTANT

If you are installing your ceiling fan on a sloped ceiling, the hanger bracket must be mounted with the hanger ball opening facing up-slope.

WARNING

To avoid possible fire or shock, do not pinch wires between the hanger ball/downrod assembly and hanger bracket.

WARNING

Hanger bracket must seat firmly against outlet box. If the outlet box is recessed, remove wall board until bracket contacts box. If bracket and/or outlet box are not securely attached, the fan could wobble or fall.

WARNING

Failure to seat tab in groove could cause damage to electrical wires and possible shock or fire hazard.

NOTE: If not done so already, carefully remove the masking tape applied to the motor leads and support wire to complete wiring.

- 5. Position the motor lead wires and support cable on the back side of the hanger bracket for final connection to the electrical supply wires.
- 6. Carefully lift the fan assembly and seat the hangerball/downrod fan assembly into the hanger bracket. Be sure the groove in the hanger ball lines up with the tab on the hanger bracket (Figure 9).
- 7. Install the end of the fan support cable through the center of the small brass bushing (supplied). Do not allow the bushing to slide down the cable and into the downrod. Now pass the fan support cable through the loop provided on the free end of the ceiling support cable previously installed into the building structure. Next, pass the fan support cable back through the center of the small brass bushing in the opposite direction as the first pass. Pull as much cable as possible through the brass bushing (Figure 9A).

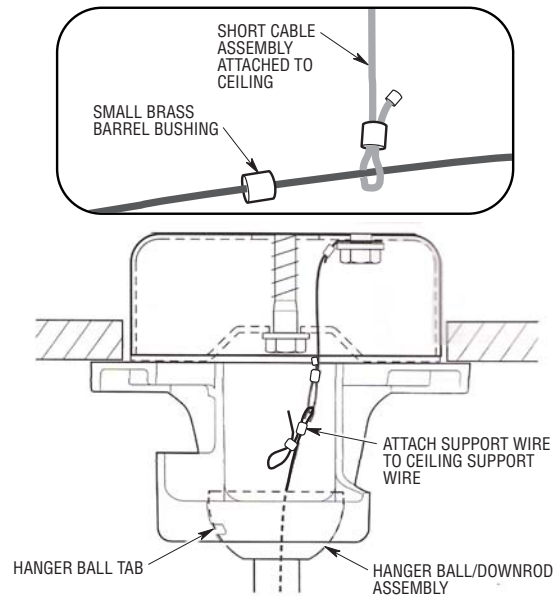


Figure 9

8. Insert the fan cable through the hole of the large brass barrel nut (supplied) and push it up the cable to within one inch of the small brass bushing. Pass the free end of the cable back through the large brass barrel nut in the opposite direction and remove as much slack as possible.

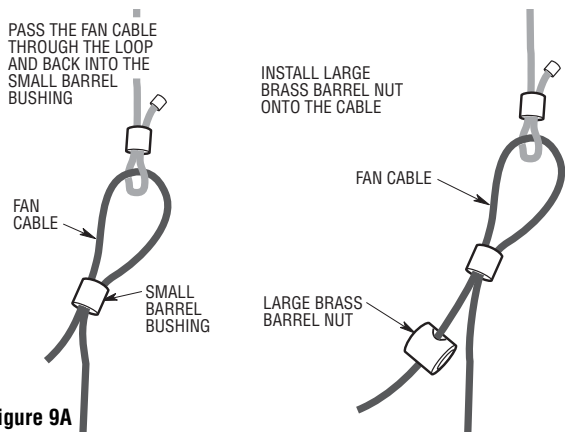


Figure 9A

9. Full tighten the 5/32 phillips head screw on the brass barrel nut to secure the fan cable in position. Cut off and discard the excess fan cable protruding from the brass barrel nut (Figure 9B).

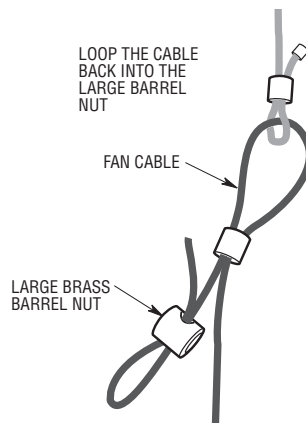


Figure 9B

How to Wire Your Ceiling Fan

If you feel that you do not have enough electrical wiring knowledge or experience, have your fan installed by a licensed electrician.

⚠ WARNING

To avoid possible electrical shock, be sure electricity is turned off at the main fuse box before wiring.

NOTE: If you are not sure if the outlet box is grounded, contact a licensed electrician for advice, as it must be grounded for safe operation.

1. Connect the green grounding lead from the hanger ball and the green grounding lead from the hanger bracket to the grounding conductor of supply (this may be a bare wire or wire with green colored insulation). Securely connect wires with wire connectors supplied. (Figure 10.)

⚠ WARNING

This product is designed to use only those parts supplied with this product and/or any accessories designated specifically for use with this product by Emerson Electric Co. Substitution of parts or accessories not designated for use with this product by Emerson Electric Co. could result in personal injury or property damage.

2. Securely connect the fan motor white wire to the supply white (neutral) wire using wire connector supplied (Figure 10). Securely connect the fan motor black wire to the supply black (hot) wire using wire connector supplied (Figure 15). The blue wire is for optional light kit accessory. Do not connect the blue wire to the supply black wire. Cap the blue wire with a wire connector supplied. After connections have been made, turn leads upward and carefully push leads into the outlet box, with the white and green leads on one side of the outlet box and the black and blue leads on the other side of the outlet box.

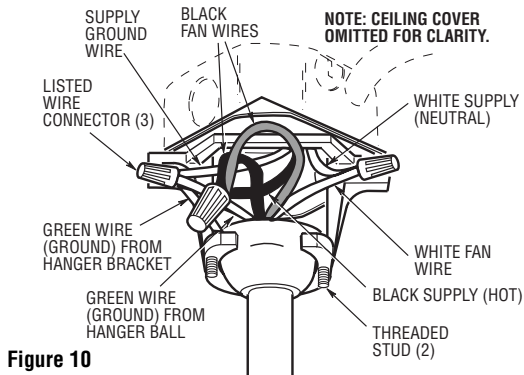


Figure 10

⚠ WARNING

Check to see that all connections are tight, including ground, and that no bare wire is visible at the wire connectors, except for the ground wire. Do not operate fan until blades are in place. Noise and fan damage could result.

NOTE: Carefully remove the masking tape applied to the center hole of ceiling cover, still taking caution to not scratch downrod during installation.

- 3. Screw the two threaded studs (supplied) into the tapped holes in the hanger bracket.
- 4. Lift the ceiling canopy up to the threaded studs and turn until studs protrude through the holes in the ceiling cover (Figure 11).
- 5. Secure the ceiling canopy in place by sliding lockwashers over the threaded studs and installing the two knurled knobs (supplied). (Figure 11.) Tighten the knurled knobs securely until the ceiling canopy fits snugly against the ceiling and the hole in the ceiling canopy is clear of the downrod.

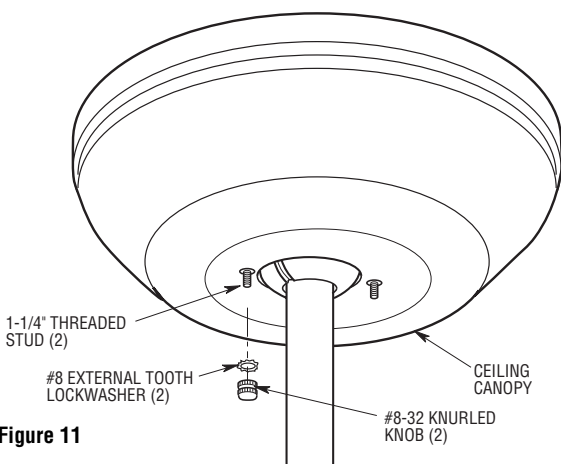



Figure 11

 WARNING
<p>To avoid possible fire or shock, make sure that the electrical wires are completely inside the outlet box and not pinched between the ceiling canopy and the ceiling.</p>

Blade Installation

NOTE: The right hand and left hand blade flanges are color coded and to be installed on the matching color coded motor for correct operation of the fan.

- 1. Assemble one flange and one medallion to each blade (sold separately) as shown (Figure 12) using #10-32 x 18mm oval head screws (provided).

NOTE: Be careful not to scratch the blade surface during installation.

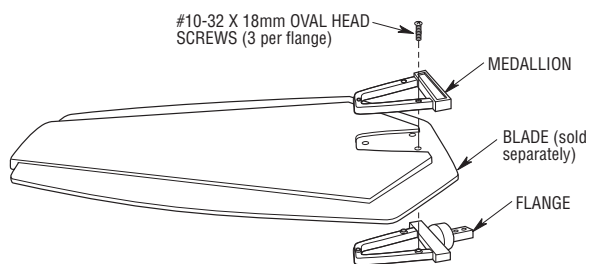


Figure 12

- 2. Assemble remaining seven blades per previous instructions.

NOTE: Take care not to scratch fan blades while installing flanges.

Blade Assembly Installation:

- 3. With the fan suspended on the ceiling, install each blade assembly onto the color coded motor hub by sliding the tip of each blade flange into one of the four large mounting holes on the exterior of each motor hub. The flange tip and mounting hole are keyed to ensure correct installation, do not force the parts together. Secure the blade assembly to the motor hub using two #8-32 x 15mm flat head screws provided (Figure 13).

NOTE: Be sure to match the blade flange color code with the same matching color code on the motor.

- 4. Repeat flange/blade assembly instructions for remaining three blades per each fan motor hub assembly.

NOTE: Take care not to scratch fan housing when installing blades.

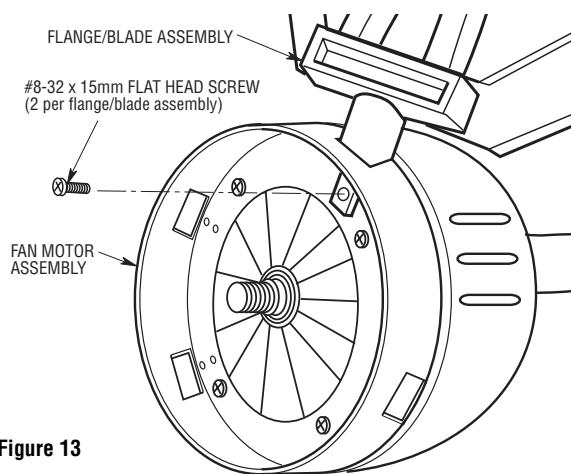


Figure 13

- 5. Thread the fan motor cover onto the fan motor assembly threaded nipple and rotate cover clockwise to tighten securely. (Figure 14).
- 6. Repeat fan motor cover instructions for second fan motor assembly.

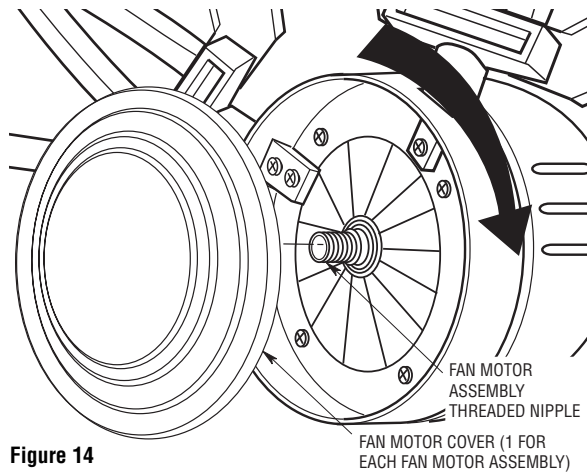


Figure 14

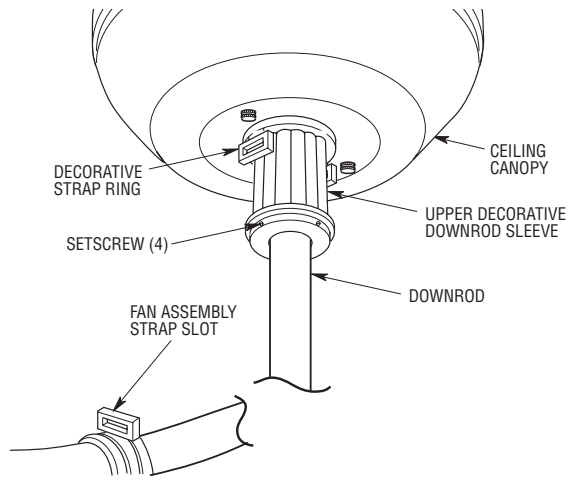


Figure 15

- 4. Attach the decorative straps to the upper ring using the flat head screw and nut (provided in the downrod kit), Figure 16.

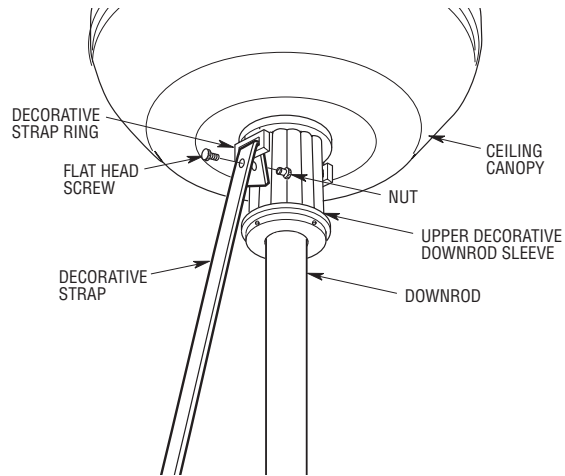


Figure 16

- 1. Loosen the setscrew on the upper decorative downrod sleeve and gently slide it up toward the ceiling canopy (Figure 15).
- 2. Position the top of the decorative strap ring approximately 1/4" below the knurled nuts on the canopy cover. The strap ring must not make contact with the knurled nuts to allow the fan to freely pivot on the hanger ball. Align the support strap ring so that the slots are in the same position as the slots of the strap supports on the fan assembly below (Figure 15).
- 3. Tighten the four setscrews in the upper decorative downrod sleeve to secure the decorative strap ring and upper decorative downrod sleeve to the downrod (Figure 15).

- 5. Assemble the buckle onto the decorative strap (Figure 17).
- 6. Slide the strap back through the buckle as shown in Figure 17.
- 7. Position the buckle on the strap as desired.

NOTE: Do not over tighten the straps, the tension should be snug but not over tight.

- 8. Slide the other end of the decorative strap through the fan assembly strap slot (Figure 17).
- 9. Assemble the second decorative strap to the other side of strap support on the fan assembly as previously instructed.

Final Installation

NOTE: Be careful not to scratch the downrod while moving the sleeve.

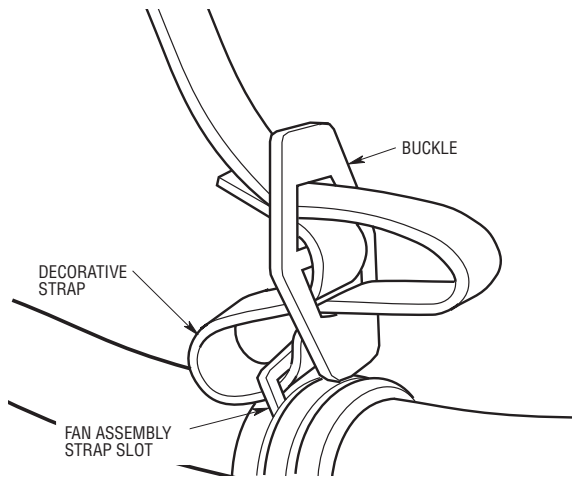


Figure 17

- 10. This completes the installation of your ceiling fan.

How to Wire Your Ceiling Fan - SW22 Wall Control

⚠ WARNING

To avoid possible electrical shock, be sure electricity is turned off at the main fuse box before wiring.

NOTE: If you are not sure if the outlet box is grounded, contact a licensed electrician for advice, as it must be grounded for safe operation.

This control is designed to operate two ceiling fans, and not any accessory light kits. The SW22 speed control is rated for 3.0 amps at 120 volts.

NOTE: Electrical connections should be in accordance with the National Electrical Codes and all Local Codes. Before starting, disconnect power to the circuit at the fuse box or circuit breaker panel.

- 1. Set the SW22 Wall Control in the off position (full counter-clockwise), and pull off the knob.
- 2. Connect one BLACK wire from the SW22 Wall Control to the supply HOT lead with a wire connector (provided) (Figure 18).
- 3. Connect the other BLACK wire from the SW22 Wall Control to the Black LOAD wire with a wire connector (provided) (Figure 18).

NOTE: Use wire connectors (supplied) to secure electrical connections.

Control Operation:

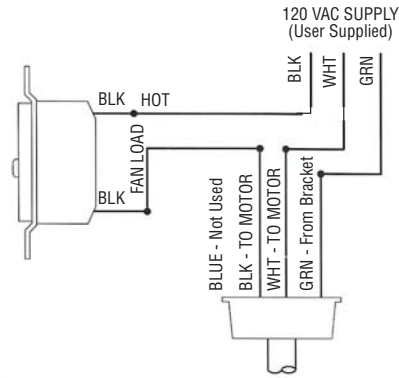


Figure 18

- 4. Position the faceplate (not provided) onto the speed control. Using the two 6-32 screws supplied with the faceplate, screw the faceplate and speed control to the wall outlet box (Figure 19).
- 5. Press knob onto the shaft and rotate counter-clockwise to the full-OFF position.
- 6. Restore power at the main fuse box or circuit breaker panel.

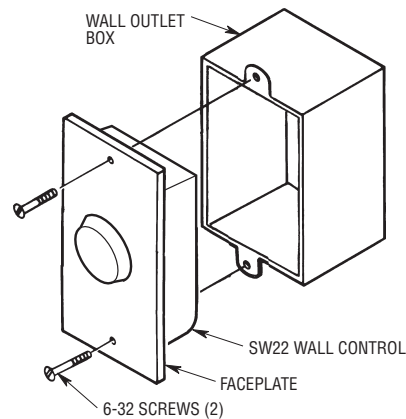


Figure 19

The SW22 Wall Control has one high speed and one low speed setting. From the OFF position, rotate the knob in the clockwise direction to the high position. For low speed, rotate the knob clockwise to the next position. Turn the fans off by fully rotating the knob counter-clockwise to the OFF position (Figure 20).

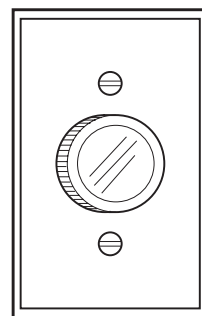


Figure 20

Reversing Air Flow Direction:

- 7 If airflow is desired in the opposite direction, turn the fans off at wall control and wait for the blades to stop turning. Then slide the reversing switches, located on both housings, to the opposite position (Figure 21) and turn the fan on again. The blades will turn in the opposite direction and reverse the airflow.

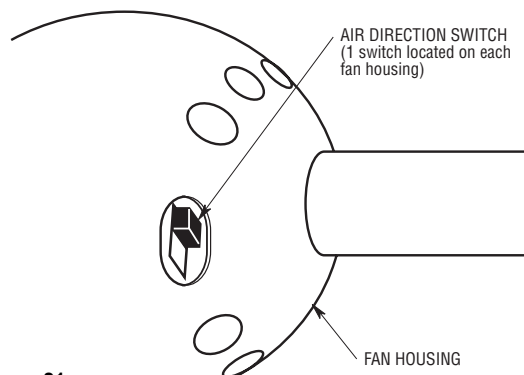


Figure 21

Maintenance

IMPORTANT CARE INSTRUCTIONS for your Ceiling Fan

Periodic cleaning of your new ceiling fan is the only maintenance that is needed.

When cleaning, use only a soft brush or lint free cloth to avoid scratching the finish.

Abrasive cleaning agents are not required and should be avoided to prevent damage to finish.

⚠ WARNING

Do not use water when cleaning your ceiling fan. It could damage the motor or the blades and create the possibility of an electrical shock.
--

Accessories

1. Ceiling Fan Light Kits (see store or catalog).
2. Ceiling Fan/Light Controls (see store or catalog).
3. Downrod Extension Kits (see store or catalog).

⚠ WARNING

The use of any other control not specifically approved for this fan could result in fire, shock and personal injury.

⚠ WARNING

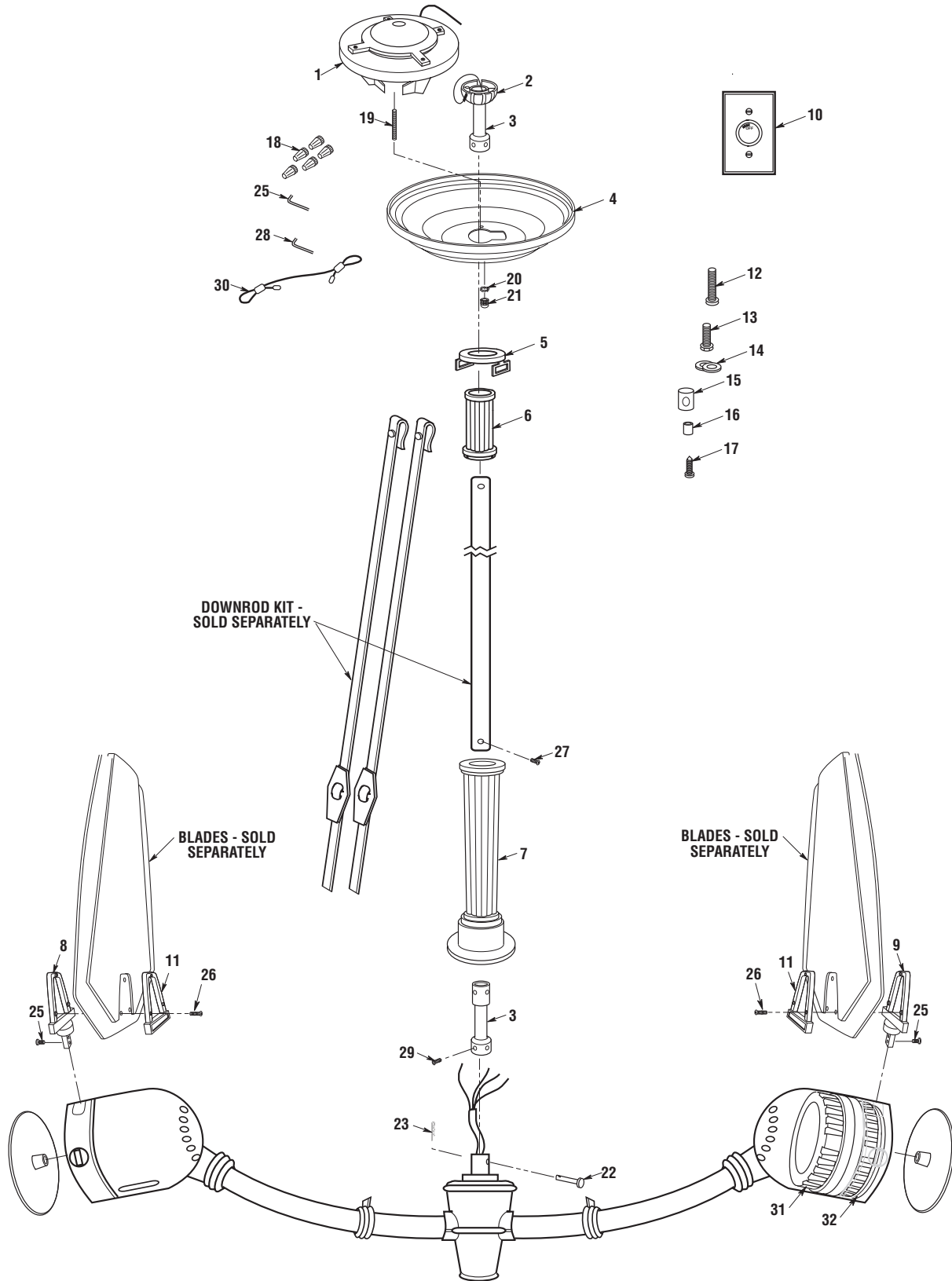
This product is designed to use only those parts supplied with this product and/or any accessories designated specifically for use with this product by Emerson Electric Co. Substitution of parts or accessories not designated for use with this product by Emerson Electric Co. could result in personal injury or property damage.

▲ WARNING: FOR YOUR OWN SAFETY TURN OFF POWER AT FUSE BOX OR CIRCUIT BREAKER BEFORE TROUBLE SHOOTING YOUR FAN.

Trouble Shooting

TROUBLE	PROBABLE CAUSE	SUGGESTED REMEDY
1. Fan will not start.	1. Fuse or circuit breaker blown. 2. Loose power line connections to the fan, or loose switch wire connections in the switch housing. 3. Reversing switch in neutral position.	1. Check main and branch circuit fuses or circuit breakers. 2. Check line wire connections to fan and switch wire connections in the switch housing. ▲ WARNING: Make sure main power is turned off. 3. Make sure reversing switch position is all the way to one side.
2. Fan sounds noisy.	1. Blades not attached to fan. 2. Screws securing fan blade flanges to motor are loose. 3. Wire connectors inside switch housing rattling. 4. Motor noise caused by solid-state variable speed control. 5. Screws holding blades to flanges are loose.	1. Attach blades to fan before operating. 2. Check to make sure the screws which attach the fan flanges to the motor are tight. 3. Check to make sure wire connectors in switch housing are not rattling against each other or against the interior wall of the switch housing. ▲ WARNING: Make sure main power is turned off. 4. Some fan motors are sensitive to signals from Solid-State variable speed controls. If Solid-State Control is used and motor noise results choose an alternative control method. 5. Tighten screws securely.
3. Fan wobbles excessively.	1. Setscrews in motor coupling are not tightened securely. 2. Setscrew in the hanger ball/downrod assembly is loose. 3. Screws securing fan blade flanges to motor are loose. 4. Fan blade flanges not seated properly. 5. Hanger bracket and/or ceiling outlet box is not 6. Fan blades out of balance.	1. Unscrew screws with hex wrench, raise decorative downrod sleeve and tighten setscrews securely. 2. Tighten the setscrew in the hanger ball/downrod assembly. 3. Check to be sure screws which attach the fan blade flanges to the motor are tight. 4. Check to be sure the fan blade flanges seat firmly and uniformly to the surface of the motor. If flanges are seated incorrectly, loosen the flange screws and retighten according to the procedure in the section on "How to Put Your Ceiling Fan Together". 5. Tighten the hanger bracket screws to the outlet box, and/or secure securely fastened outlet box. 6. Interchanging an adjacent (side-by-side) blade pair can redistribute the weight and result in smoother operation.

Repair Parts



Repair Parts Listing

Key No.	Description	Model Numbers	
		CF3300AP00	CF3300RH00
1	Hanger Bracket Assembly, Consisting of:	763548	763548
*	Structural Mounting Plate	—	—
*	Hanger Bracket	—	—
2	Hanger Ball Assembly, Consisting of:	763550	763550
*	Hanger Ball	—	—
3	Downrod Extension (1)	763553	763553
4	Ceiling Canopy	763552	763552-1
5	Upper Trim Ring	763554	763554-1
6	Upper Decorative Sleeve	763555	763555-1
7	Decorative Downrod Sleeve Assembly	763563	763563-1
8	Blade Flange Set Clockwise (4)	763577	763577-1
9	Blade Flange Set Counter-Clockwise (4)	763579	763579-1
10	SW22 Wall Control	763859	763859
11	Blade Medallion (8)	763575	763575-1
*	Bag Assembly, Containing:	763587	763587
12	3/8 x 2" Lag Bolt (1)	—	—
13	3/8 x 5" Lag Bolt (1)	—	—
14	3/8" Flat washer (2)	—	—
15	Barrel Nut (1)	—	—
16	Bushing (1)	—	—
17	5/32 x 10mm Phillips Screw (1)	—	—
18	Wire Connector (5)	—	—
19	Threaded Stud (2)	—	—
20	Lockwasher (2)	—	—
21	Knurled Knob (2)	—	—
22	Pin, Clevis (1)	—	—
23	Clip, Hairpin (1)	—	—
24	Hex Wrench (1)	—	—
25	Screw, Flat Head, #8-32 x 15mm (17)	—	—
26	Screw, Oval Head, #10-32 x 18mm (25)	—	—
27	Screw, Round Head, 1/4 x 10mm (9)	—	—
28	3/16" Hex Wrench (1)	—	—
29	5/16-18 x 1/4" Cup Point Setscrew (2)	—	—
30	Support Cable Assembly (1)	—	—
31	Motor	763867	763867
32	Hub, Rubber	760601	760601
—	Owner's Manual	BP7385	BP7385

Before discarding packaging material, be certain all parts have been removed.

HOW TO ORDER REPAIR PARTS

WHEN ORDERING REPAIR PARTS, ALWAYS GIVE THE FOLLOWING INFORMATION:

- PART NUMBER • NAME OF ITEM
- PART DESCRIPTION • MODEL NUMBER

The model number of your Fan will be found on a label attached to the top housing.

For repair parts, phone 1-800-654-3545.



EMERSON

Air Comfort Products

DIVISION OF EMERSON ELECTRIC CO.
8100 W. Florissant • St. Louis, MO 63136

Part No. F40BP73850000

Printed in China 02/09

Form No. BP7385
U.L. Model No.: CF3300