

ELLINGTON®

READ THESE INSTRUCTIONS
AND SAVE THEM FOR FUTURE USE



Installation Guide

For Models:

WOD52ABZ5X

WOD52BK5X

WOD52BR5X

WOD52CS5X

WOD52EV5X

WOD52GV5X

WOD52MBK5X

WOD52WW5X

Table of Contents:

Safety Tips. pg. 1

Unpacking Your Fan. pg. 2

Parts Inventory. pg. 2

Installation Preparation. pg. 3

Hanging Bracket Installation. pg. 3

Fan Assembly. pgs. 4 - 5

Wiring. pg. 6

Canopy Assembly. pg. 6

Blade Assembly. pg. 7

Testing Your Fan. pg. 7

Light Kit Assembly (Optional). pg. 8

Troubleshooting. pg. 9

Parts Replacement. pg. 9

Warranty. pg. 9

Parts Replacement. pg. 9

Warranty. pg. 9



LISTED FOR WET LOCATIONS
E192641

net weight of fan: 15 lbs. (6.8 KG)

PRINTED IN CHINA

SAFETY TIPS.

WARNING: To reduce the risk of electrical shock, turn off the electricity to the fan at the main fuse box or circuit panel before you begin the fan installation or before servicing the fan or installing accessories.

1. Read all instructions and safety information carefully before installing your fan and save these instructions.
2. Make sure all electrical connections comply with Local Codes or Ordinances and the National Electrical Code. If you are unfamiliar with electrical wiring or if the house/building wires are different colors than those referred to in the instructions, please use a qualified electrician.
3. Make sure you have a location selected for your fan that allows clear space for the blades to rotate, and at least seven (7) feet (2.13 meters) of clearance between the floor and the fan blade tips. The fan should be mounted at least thirty (30) inches (76 centimeters) from walls or other upright structures.
4. The outlet box must be securely mounted to the ceiling support joist and they must be capable of supporting at least 35 pounds (16 kilograms). The box must be supported directly by the building structure. Use only UL listed outlet boxes marked "FOR FAN SUPPORT."

WARNING: To reduce the risk of fire, electrical shock, or personal injury, mount to the outlet box marked "Acceptable for Fan Support," and use the mounting screws provided with the outlet box. Most outlet boxes commonly used for the support of lighting fixtures are not acceptable for fan support and may need to be replaced. Consult a qualified electrician if in doubt.

WARNING: To reduce the risk of fire, electrical shock, or personal injury, wire nuts/wire connectors provided with this fan are designed to accept only one 12 gauge house wire and two lead wires from the fan. If your house wire is larger than 12 gauge or there is more than one house wire to connect to the two fan lead wires, consult an electrician for the proper size wire nuts/wire connectors to use.

WARNING: To reduce the risk of personal injury, electrical shock or death, this fan must be connected to a supply circuit that is protected by a Ground Fault Circuit Interrupter (GFCI).

5. Electrical diagrams are for reference only. Light kits that are not packed with the fan must be UL listed and marked suitable for use with the model fan you are installing. Switches must be UL general use switches. Refer to the instructions packaged with the light kits and switches for proper assembly.
6. After installation is complete, check that all connections are absolutely secure.
7. After making electrical connections, spliced conductors should be turned upward and pushed carefully up into the outlet box. The wires should be spread apart with the grounded conductor and the equipment-grounding conductor on opposite sides of the outlet box.

WARNING: To reduce the risk of electrical shock and fire, do not use this fan with any variable (rheostat) wall control.

8. Do not operate the reverse switch until the fan has come to a complete stop.
9. Do not insert anything between the fan blades while they are rotating.

WARNING: To reduce the risk of personal injury, do not bend the blade arms during assembly or after installation. Do not insert objects into the path of the blades.

WARNING: To avoid personal injury or damage to the fan and other items, be cautious when working around or cleaning the fan.

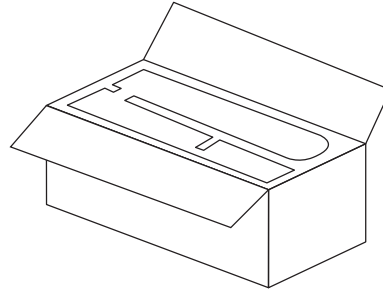
10. Do not use water or detergents when cleaning the fan or fan blades. A dry dust cloth or lightly dampened cloth will be suitable for most cleaning.

NOTE: The important safety precautions and instructions appearing in the manual are not meant to cover all possible conditions and situations that may occur. It must be understood that common sense and caution are necessary factors in the installation and operation of this fan.

1. Unpacking Your Fan.

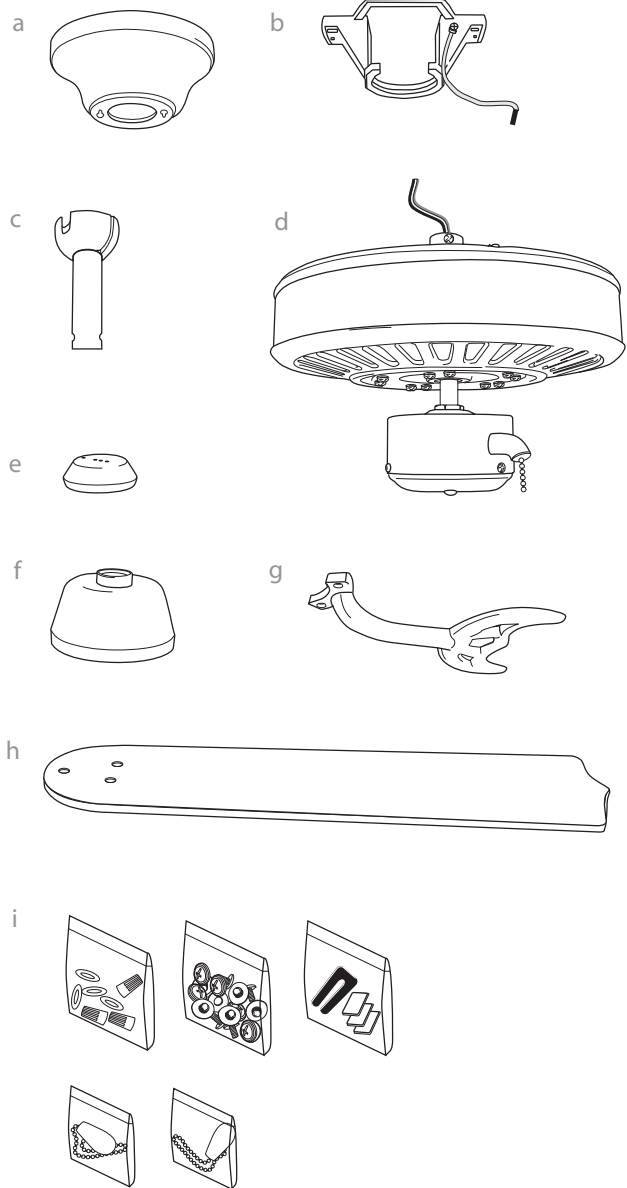
Carefully open the packaging. Remove items from Styrofoam inserts. Remove motor housing and place on carpet or Styrofoam to avoid damage to finish. Do not discard fan carton or Styrofoam inserts should this fan need to be returned for repairs.

Check against parts inventory that all parts have been included.



2. Parts Inventory.

- a. canopy. 1 piece
- b. hanging bracket. 1 piece
- c. 4-inch downrod and hanging ball. 1 piece
- d. motor housing. 1 piece
- e. weatherproof hanging ball cover. 1 piece
- f. weatherproof yoke cover. 1 piece
- g. blade arm. 5 pieces
- h. blade. 5 pieces
- i. hardware packs



3. Installation Preparation.

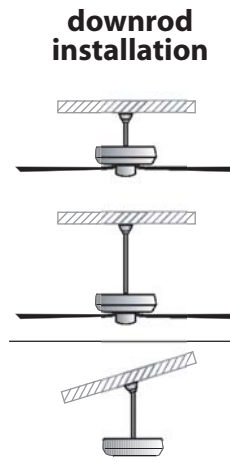
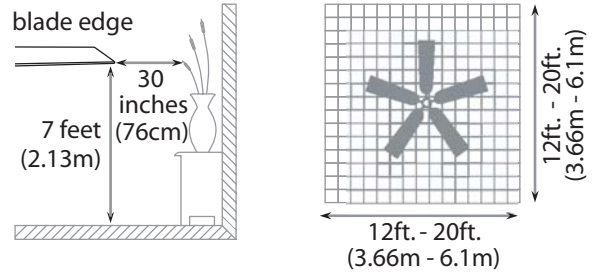
To prevent personal injury and damage, ensure that the hanging location allows the blades a clearance of 7ft. (2.13m) from the floor and 30in. (76cm) from any wall or obstruction.

This fan is suitable for room sizes up to 400 square feet (37.2 square meters).

This fan can be mounted with a **downrod** on a normal or vaulted ceiling. The hanging length can be extended by purchasing a longer downrod (0.5 in./1.27cm diameter). *Continue to Section 5 on page 4 after "Hanging Bracket Installation" for those instructions.* This fan can be mounted with **flushmount** installation on a normal ceiling only. *Continue to Section 6 on page 5 after "Hanging Bracket Installation" for those instructions.*

Installation requires these tools:

Phillips screwdriver, flathead screwdriver, adjustable pliers or wrench, stepladder, wire cutters, and rated electrical tape.



⊘ Vaulted ceiling angle is not to exceed 25 degrees.

4. Hanging Bracket Installation.

Turn off circuit breakers to current fixture from breaker panel and be sure operating light switch is turned to the off position.

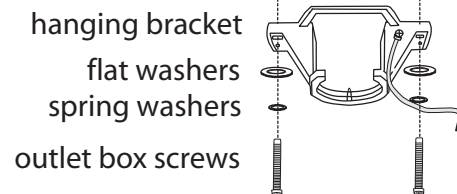
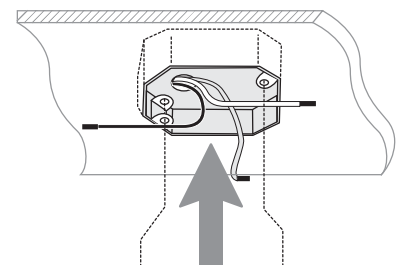
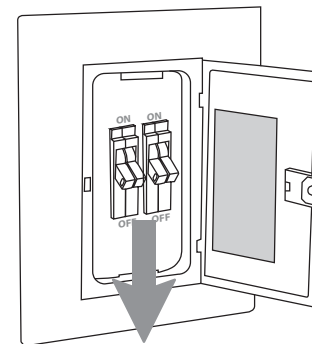
WARNING: Failure to disconnect power supply prior to installation may result in serious injury.

Remove existing fixture.

WARNING: When using an existing outlet box, be sure the box is securely attached to the building structure and can support the full weight of the fan. Ensure it is clearly marked "Suitable for Fan Support." If not, it must be replaced with an approved outlet box. Failure to do so can result in serious injury.

Install hanging bracket to outlet box using original screws, spring washers and flat washers (size 8 or M5) provided with new or original outlet box.* If installing on a vaulted ceiling, face opening of hanging bracket towards high point of ceiling. Arrange electrical wiring around the back of the hanging bracket and away from the bracket opening.

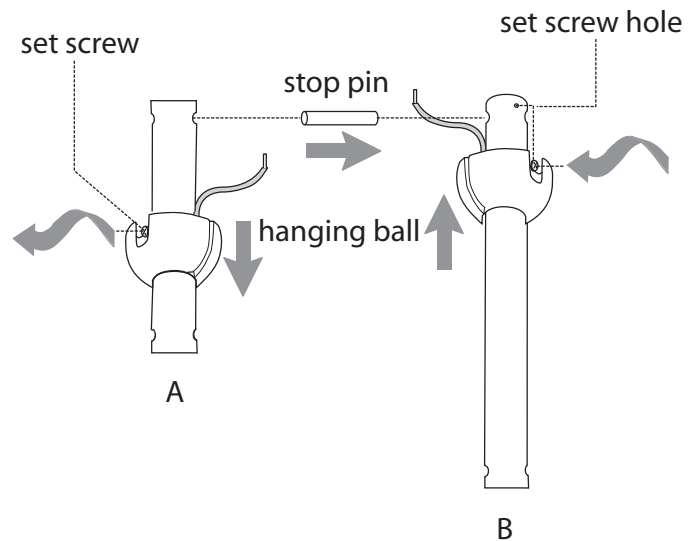
***Note:** It is very important that you use the proper hardware when installing the hanging bracket as this will support the fan. Please make certain that you purchase any hardware that is missing in order to install the hanging bracket properly.



5. Fan Assembly (with downrod).

If you wish to extend the hanging length of your fan, you must remove the hanging ball from the 4-inch downrod provided to use with an extended downrod (sold separately). [If you wish to use the 4-inch downrod, please proceed to instructions following the dotted line below.]

To remove hanging ball, loosen set screw on hanging ball, lower hanging ball and remove stop pin. Slide hanging ball off the original downrod, A, and slide it down the longer downrod, B (the top of the downrod should be noted as having a set screw hole; use this hole when setting the set screw). Insert stop pin into top of extended downrod and raise hanging ball. Be sure stop pin aligns with slots on the inside of the hanging ball. Tighten set screw securely.



Slide downrod through canopy and weatherproof yoke cover.

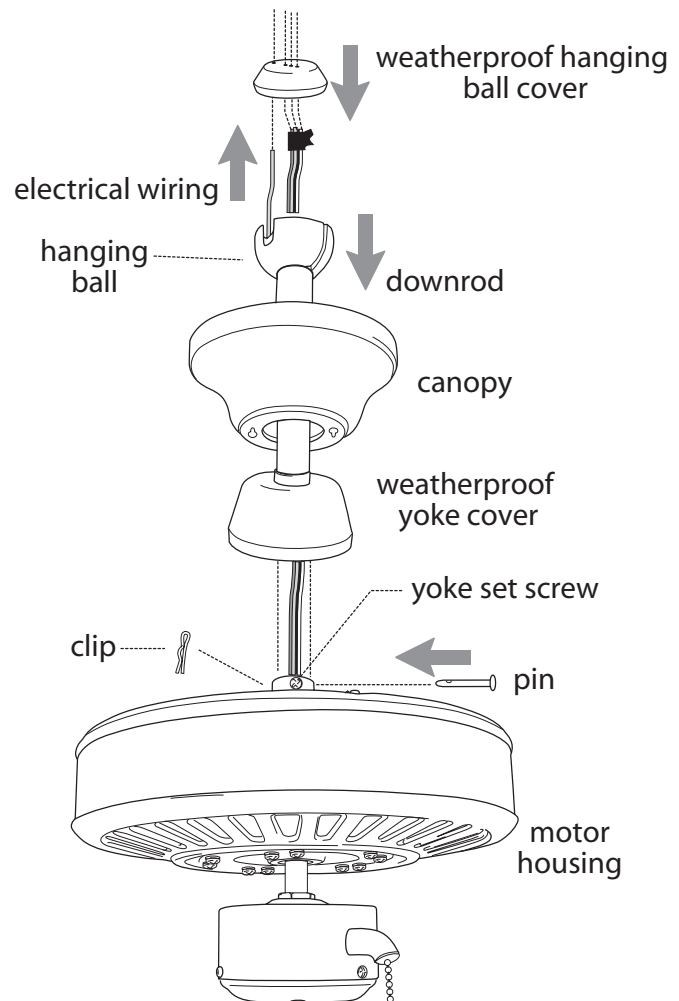
Thread electrical wires through downrod and pull extra wire slack from the upper end of the downrod.

Tip: Apply small piece of electrical tape to the ends of the electrical wires to keep them together when threading them through the downrod.

Loosen yoke set screw(s) and nut(s). Place downrod into the motor housing yoke and insert pin and clip. Tighten yoke set screw(s) and nut(s) securely.

Remove electrical tape from electrical wires and thread one wire through each hole in the weatherproof hanging ball cover. Pull weatherproof hanging ball cover down securely over hanging ball (on downrod).

NOTE: The important safety precautions and instructions appearing in the manual are not meant to cover all possible conditions and situations that may occur. It must be understood that common sense and caution are necessary factors in the installation and operation of this fan.

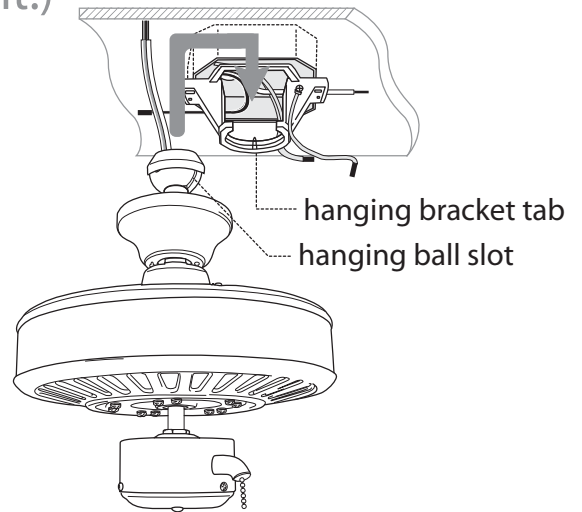


5. Fan Assembly (with downrod). (cont.)

With the hanging bracket secured to the outlet box and able to support the fan, you are now ready to hang your fan. Grab the fan firmly with two hands. Slide downrod through opening in hanging bracket and let hanging ball rest on the hanging bracket. Turn the hanging ball slot until it lines up with the hanging bracket tab.

Tip: Seek the help of another person to hold the stepladder in place and to lift the fan up to you once you are set on the ladder.

Continue to "Wiring" section for wiring diagram.



6. Fan Assembly (flushmount).

Remove and set aside canopy cover to reveal 6 holes. Notice that 3 holes are larger.

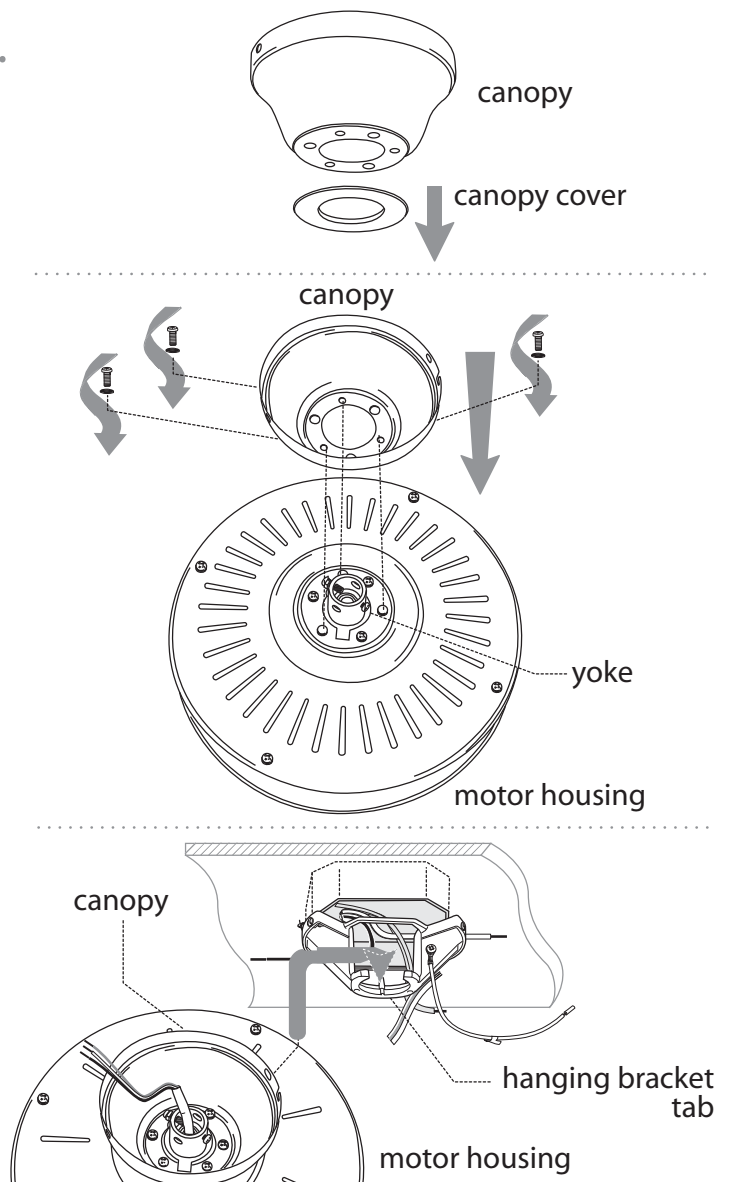
Note: Weatherproof yoke cover is *not* used with this type of installation.

If there are only **3** screws in top of motor housing, please proceed to next paragraph. If there are **6** screws in top of motor housing, remove every other screw and lock washer.

Thread wiring through canopy. Place canopy over yoke, aligning larger holes in canopy with the 3 existing screws in top of motor housing. Insert the 3 screws and 3 lock washers that were removed (if there were only 3 screws located in top of motor housing, these screws/lock washers will be located in one of the hardware packs) into the remaining holes. Securely tighten these screws.

To prepare the fan for wiring, hang fan onto hanging bracket by sliding the canopy over the hanging bracket tab. (Use one of the non-slotted holes on the rim of the canopy to do so.)

Continue to "Wiring" section for wiring diagram.



7. Wiring.

Important: Be sure outlet box is properly grounded or that a ground wire (**GREEN** or Bare) is present.

Make sure all electrical connections comply with Local Codes or Ordinances and the National Electrical Code. If you are unfamiliar with electrical wiring or if the house/building wires are different colors than those referred to below, please use a qualified electrician.

Note: Excess lead wire length from the fan can be cut and stripped to the desired length.

WARNING: To reduce the risk of personal injury, electrical shock or death, this fan must be connected to a supply circuit that is protected by a Ground Fault Circuit Interrupter (GFCI).

When downrod is secured in place on the hanging bracket, electrical wiring can be made (**diagram 1**) as follows:

Connect **BLACK** wire from fan to **BLACK** wire from ceiling with wire nut provided.

Connect **WHITE** wire from fan to **WHITE** wire from ceiling with wire nut provided.

Connect all **GROUND (GREEN)** wires together from fan to **BARE/GREEN** wire from ceiling with wire nut provided.

Since this fan does not come with a light kit, you will need to cap off the **BLUE** wire with a wire nut (as shown with arrow in **diagram 1**).

* Wrap all wire nuts with electrical tape as an extra safety measure.

This fan is remote control adaptable.

NOTE: If you elect to purchase a light kit for the fan, electrical wiring can be made (**diagram 2**) as follows:

Connect **BLACK** and **BLUE** wire from fan to **BLACK** wire from ceiling with wire nut provided.

Connect **WHITE** wire from fan to **WHITE** wire from ceiling with wire nut provided.

Connect all **GROUND (GREEN)** wires together from fan to **BARE/GREEN** wire from ceiling with wire nut provided.

¹ If you intend to control the fan light with a separate light switch, connect **BLUE** wire from fan to the **BLACK** supply wire from the independent switch.

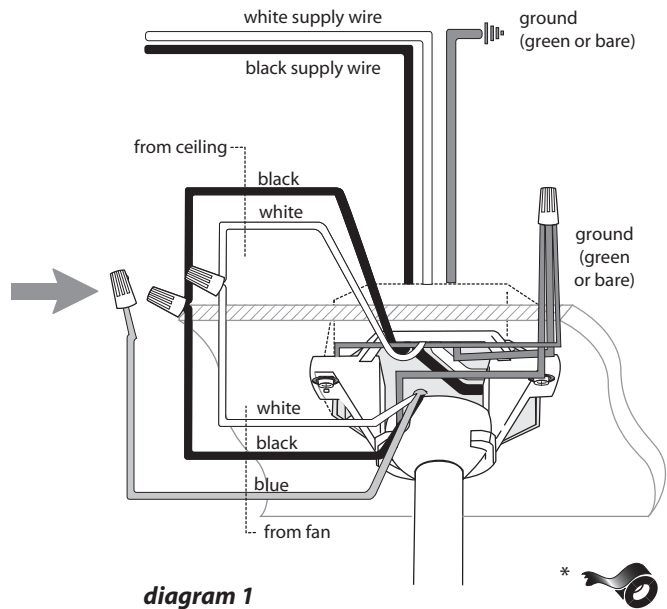


diagram 1

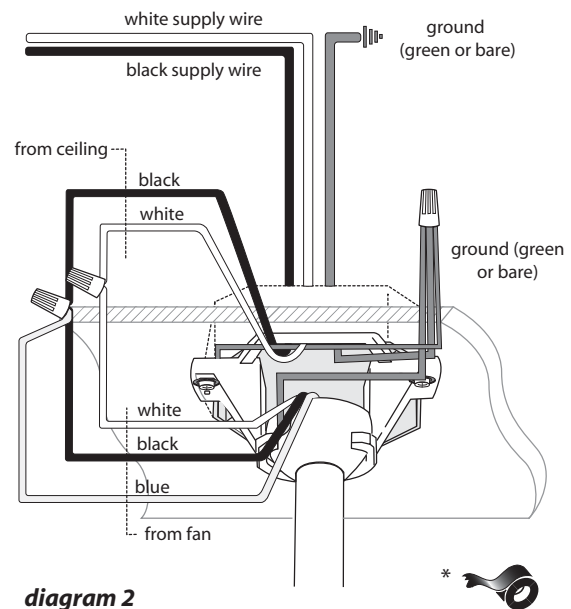
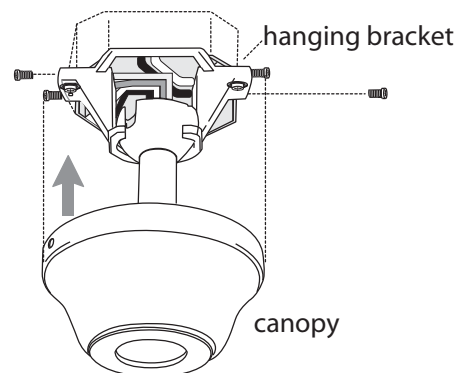


diagram 2

8. Canopy Assembly.

Temporarily raise canopy to hanging bracket to determine which 2 screws align with slotted holes in canopy, and then lower canopy and *partially loosen* these 2 screws. Remove the **other 2** screws and set aside.

Now, lift canopy to hanging bracket, aligning slotted holes in the canopy with loosened screws in hanging bracket. Twist canopy to lock. Re-insert the other 2 screws and secure all screws with Phillips screwdriver.

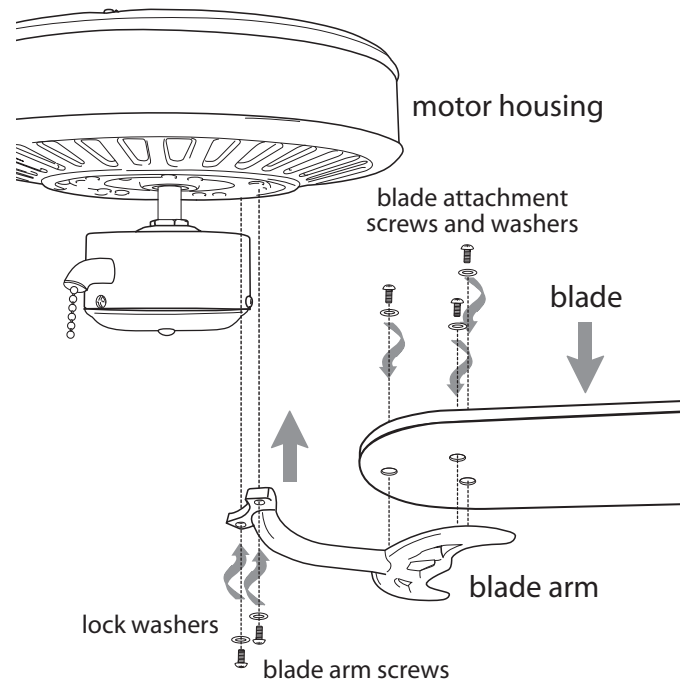


9. Blade Assembly.

Time Saver: Washers for blade screws can be set on each blade screw prior to installing blades.

Locate 15 blade attachment screws and washers in one of the hardware packs. Hold blade arm up to blade and align holes. Insert 3 blade attachment screws and washers with fingers first and then tighten screws securely with Phillips screwdriver. Repeat procedure for remaining blades.

Remove blade arm screws and lock washers from fan motor and set aside. Then, if applicable, remove motor shipping pads and discard. Align blade arm holes with motor screw holes and attach blade arm with blade arm screws and lock washers. Before securing screws permanently, repeat this procedure with remaining blade arms. Secure all screws.



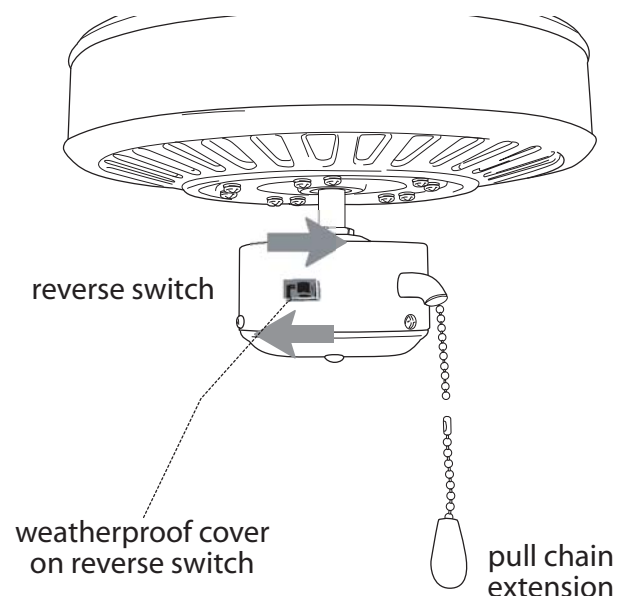
10. Testing Your Fan.

It is recommended that you test fan before finalizing installation. Restore power from circuit box and light switch (if applicable). Test fan speeds with the pull chain. Start at the OFF position (no blade movement). First pull will set the fan to HI. Second pull will set the fan to MEDIUM. Third pull will set the fan to LOW. Fourth pull will again set the fan to OFF setting. If fan does not function, please refer to "Troubleshooting" section to solve any issues before contacting Customer Service.

Turn fan completely off when operating the reverse switch. Set to recirculate air depending on the season.

Note: Do NOT remove weatherproof cover from reverse switch.

Pull chain extension supplied or a custom pull chain extension (sold separately) can be attached to fan.



11. Light Kit Assembly (Optional).

WARNING: Failure to disconnect power supply at main panel prior to light kit assembly may result in serious injury.

If you wish to use your fan WITH a light kit (sold separately), **it MUST be UL-APPROVED for WET LOCATIONS or OUTDOOR USE.**

Remove 3 screws from switch housing. Remove switch housing cap from switch housing. (Refer to **diagram a**.)

Locate **BLUE** and **WHITE** wires in the switch housing labeled FOR LIGHT. Remove and discard cardboard label and plastics that hold these 2 wires together. Remove wire nuts from these same wires as well--save for later use. (Refer to **diagram a**.)

If your light kit is to be mounted directly to switch housing, remove 3 screws from light kit fitter. (Refer to **diagram b**.) Make wire connections as described below.

If your light kit is to be attached by a threaded rod, remove hex nut and washer from light kit fitter. Punch center cap out of switch housing cap with a screwdriver. Push wires from light kit fitter through hole in middle of switch housing cap and screw switch housing cap onto threaded rod followed by the washer and hex nut that were previously removed. (Refer to **diagram c**.) Tighten hex nut over washer for a secure fit. Make wire connections as described below.

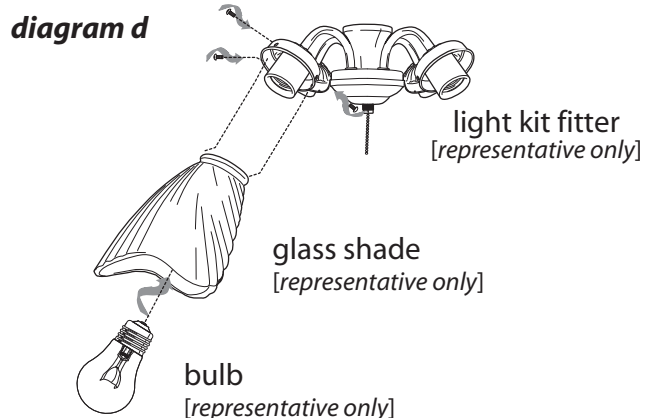
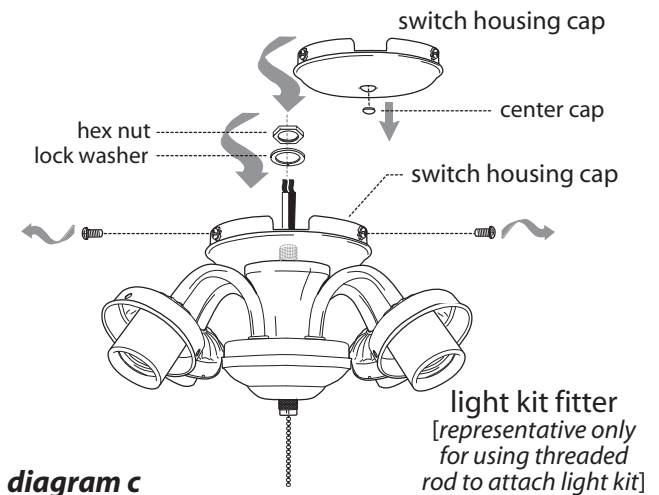
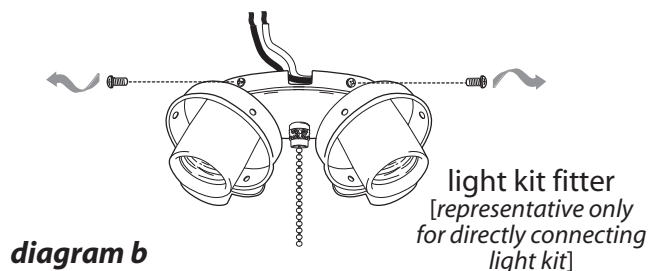
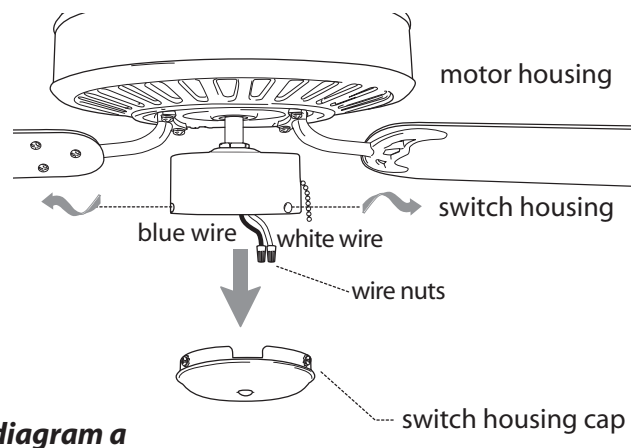
Connect **WHITE** wire from light kit fitter to **WHITE** wire from switch housing. Connect **BLACK** wire from light kit fitter to **BLUE** wire from switch housing. Use wire nuts when making the connections. Align holes in top of light kit fitter or switch housing cap with holes in switch housing. Re-insert screws that were previously removed and securely tighten all 3 screws.

Attach glass shade(s) to light kit fitter using the hardware provided. (Refer to **diagram d**.)

Note: If you are installing a bowl fixture, the bulb(s) must be installed first.

Install bulb(s) specified by the light kit. *If you are installing a halogen bulb, be sure not to handle glass directly with your fingers as oil from the skin may shorten the life of the bulb.*

Important: When changing bulb(s), remember to allow bulb(s) and glass shade(s) to cool before touching.



Troubleshooting.

WARNING: Failure to disconnect power supply prior to troubleshooting any wiring issues may result in serious injury.

Problem: Fan fails to operate.

Solutions:

1. Check wall switch to fan.
2. Verify that reverse switch is set completely in either direction.
3. Check to be sure fan is wired properly.

Problem: Light kit (optional) not lighting.

Solutions:

1. Check wall switch to fan.
2. Check that bulbs are installed correctly.
3. Check to be sure wires in canopy are wired properly.

Problem: Fan operates but light fails (if applicable).

Solutions:

1. Check that bulbs are installed correctly.
2. Check to be sure wires in canopy are wired properly.
3. Verify that wires in switch housing are connected properly with wire nuts.
4. Replace defective bulbs with same type of bulb.

Problem: Fan wobbles.

Solution:

1. Use the balancing kit in one of the hardware packs.

Parts Replacement.

For parts and information, please refer to "Parts Inventory" on page 2.
Ellington Customer Support:
1.800.527.1292
www.ellingtonfans.com

Warranty.

Ellington 30-Year Limited Warranty:
ELLINGTON/LITEX INDUSTRIES, LTD. warrants this fan to the original household purchaser for indoor use under the following provisions:

1-YEAR WARRANTY: ELLINGTON/LITEX INDUSTRIES, LTD. will replace or repair any fan which has faulty performance due to a defect in material or workmanship. Contact Litex Customer Service at 1-800-527-1292 to arrange for return of fan. Return fan, shipping prepaid, to Litex Industries, Ltd. We will repair or ship you a replacement fan, and we will pay the return shipping cost.

5-YEAR WARRANTY: ELLINGTON/LITEX INDUSTRIES, LTD. will repair or replace, at no charge to the original purchaser, any fan motor that fails to operate satisfactorily when failure results from normal use.

RETURN FAN MOTOR ONLY, shipping prepaid, to Litex Industries. We will repair or ship purchaser a replacement motor and Litex will pay the return shipping cost.

6 to 30-YEAR WARRANTY: ELLINGTON/LITEX INDUSTRIES, LTD. will repair the fan, at no charge to the original purchaser for labor only, if the fan motor fails to operate satisfactorily when failure results from normal use. Parts used in the repair will be billed to the purchaser at prevailing prices at time of repair.

The purchaser shall be responsible for all costs incurred in the removal, reinstallation and shipping of the product for repairs.

This warranty does not apply when damage from mechanical, physical, electrical or water abuse results in causing the malfunction. Deterioration of finishes or other parts due to time or exposure to salt air is specifically exempted under this warranty.

Neither Litex Industries nor the manufacturer will assume any liability resulting from improper installation or use of this product. In no case shall the company be liable for any consequential damages for breach of this, or any other warranty expressed or implied whatsoever. This limitation as to consequential damages shall not apply in states where prohibited.

ELLINGTON®