

Pacemaker® Single Bowl Lavatory Sink
20 Gauge - Type 304 - Self Rim
Model PSLVR1917 Series



SPECIFICATIONS

GENERAL

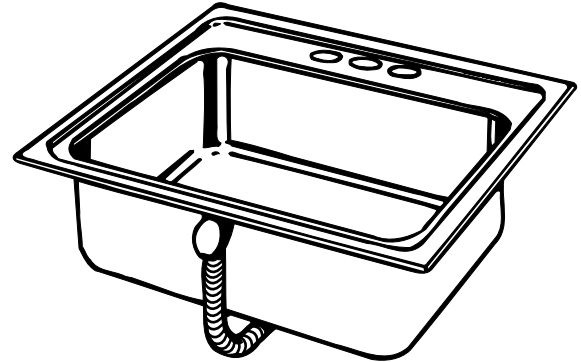
Fine quality Pacemaker single bowl lavatory sink is seamlessly drawn of #20 gauge, type 304 (18-8) nickel bearing stainless steel. Self-rimming.

DESIGN FEATURES

Bowl Depth: 6".
 Bowl and Faucet Deck Recess: 3/16" drop ledge.
 Finish: Exposed surfaces are polished to a lustrous, highlighted bright satin finish.
 Underside: Fully undercoated to prevent condensation and deaden sound.

OTHER

Drain opening: 1-5/8"
PSLVR1917CS is sink, with LK294 overflow, less faucet and pop-up drain fitting. (Three faucet holes on 2" centers.)
PSLVR1917 is sink, with LK294 overflow, less faucet and pop-up drain fitting. (Three faucet holes on 4" centers.)
PSLVR1917LO is sink, without overflow, less faucet and pop-up drain fitting. Outlet designed for pop-up drain fitting (includes housing and washer). (Three faucet holes on 4" centers.)
PSLVR1917LOCS is sink, without overflow, less faucet and pop-up drain fitting. Outlet designed for pop-up drain fitting (includes housing and washer). (Three faucet holes on 2" centers.)
 These sinks comply with ANSI Standard A112.19.3M.



Model PSLVR1917CS3

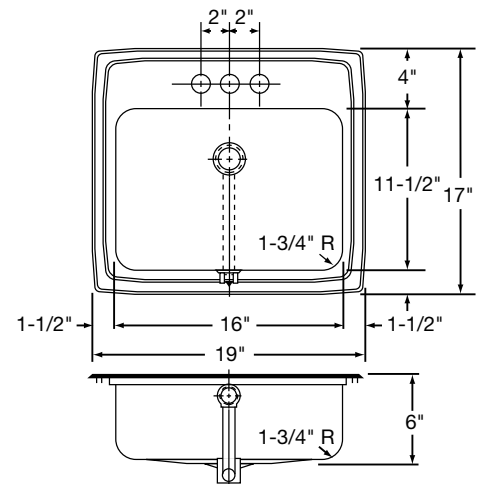


These sinks are listed by the International Association of Plumbing and Mechanical Officials as meeting the requirements of the Uniform Plumbing Code.

SINK DIMENSIONS (INCHES)*

Model Number	Overall		Inside Bowl			With Overflow	Cutout in Countertop (1 1/2" Radius Corners)		1 1/4" Dia. Faucet Holes No. & Ctrs.	Ship. Wt. Lbs.
	L	D	L	W	D		L	W		
PSLVR1917CS	19	17	16	11 1/2	6	Yes	18 3/8	16 3/8	(3) - 2" Ctrs.	9.5
PSLVR1917	19	17	16	11 1/2	6	Yes	18 3/8	16 3/8	(3) - 4" Ctrs.	9.5
PSLVR1917LO	19	17	16	11 1/2	6	No	18 3/8	16 3/8	(3) - 4" Ctrs.	9.5
PSLVR1917LOCS	19	17	16	11 1/2	6	No	18 3/8	16 3/8	(3) - 2" Ctrs.	9.5

*Length is left to right. Width is front to back.



Model PSLVR1917CS3 Illustrated

ALL DIMENSIONS IN INCHES, TO CONVERT TO MILLIMETERS MULTIPLY BY 25.4.

In keeping with our policy of continuing product improvement, Elkay reserves the right to change product specifications without notice.

This specification describes an Elkay product with design, quality and functional benefits to the user. When making a comparison of other producers' offerings, be certain these features are not overlooked.