

**Pacemaker® Single Bowl Lavatory Sink**  
**20 Gauge, Type 304, Self Rim**  
**Models PSLVR1916 and PSLVR1916CS**



**SPECIFICATIONS**

**GENERAL**

Fine quality Pacemaker single bowl lavatory sink is seamlessly drawn of #20 gauge, type 304 (18-8) nickel bearing stainless steel. Self-rimming.

**DESIGN FEATURES**

Bowl Depth: 6".  
 Bowl and Faucet Deck Recess: 3/16" drop ledge.  
 Finish: Exposed surfaces are polished to a lustrous, highlighted bright satin finish.  
 Underside: Fully undercoated to prevent condensation and deaden sound.

**OTHER**

Drain Opening: 1-5/8".  
**PSLVR1916** Sink with LKF293 overflow assembly. Three faucet holes on 4" centers.  
**PSLVR1916CS** Sink with LKF293 overflow assembly. Three faucet holes on 2" centers.  
 Drain opening is 1-5/8", 2-1/4" O.D. at top of countersink. Arranged for standard lavatory type pop-up drain fitting.  
 Recommended Sink Base: 24".

These sinks comply with ANSI Standard A112.19.3M.



These sinks are listed by the International Association of Plumbing and Mechanical Officials as meeting the requirements of the Uniform Plumbing Code.

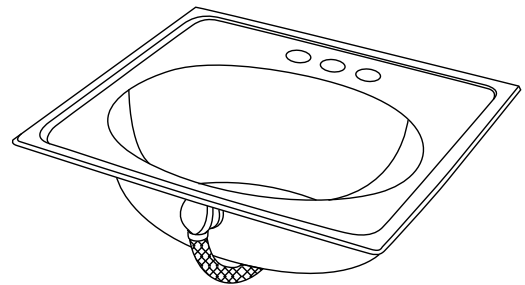


These sinks are listed with the Canadian Standards Association.

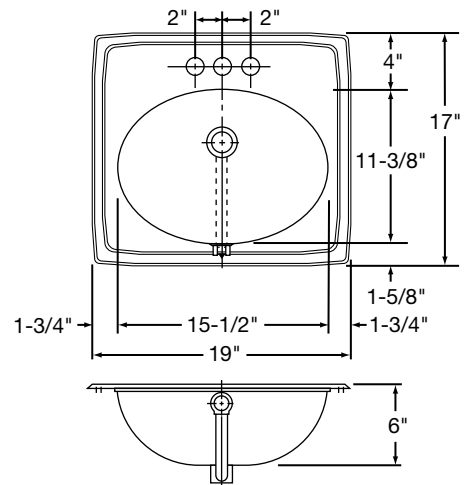
**SINK DIMENSIONS (INCHES)\***

Model Number	Overall		Inside Bowl			With Overflow	Cutout in Countertop (1 1/2" Radius Corners)		1 1/4" Dia. Faucet Holes No. & Ctrs.	Ship. Wt. Lbs.
	L	W	L	W	D		L	W		
PSLVR1916	19	17	15 1/2	11 3/8	6	Yes	18 3/8	16 3/8	(3) - 4" Ctrs.	8
PSLVR1916CS	19	17	15 1/2	11 3/8	6	Yes	18 3/8	16 3/8	(3) - 2" Ctrs.	8

\*Length is left to right. Width is front to back.



Model PSLVR1916CS



Model PSLVR1916CS Illustrated

ALL DIMENSIONS IN INCHES, TO CONVERT TO MILLIMETERS MULTIPLY BY 25.4.

In keeping with our policy of continuing product improvement, Elkay reserves the right to change product specifications without notice.

This specification describes an Elkay product with design, quality and functional benefits to the user. When making a comparison of other producers' offerings, be certain these features are not overlooked.