

ELKAY[®]

SPECIFICATIONS

The Mystic[®] by Elkay Undermount Sink Model MYSTIC332010

GENERAL

Highest quality sink formed of #18 (1.2mm) gauge, type 304 (18-8) nickel bearing stainless steel. Undermount.

DESIGN FEATURES

Bowl Depth: 10" (254mm).

Finish: Exposed surfaces are hand polished to a Lustrous Highlighted Satin finish.

Underside: Fully protected by heavy duty Sound Guard[®] undercoating designed to reduce condensation and dampen sound.

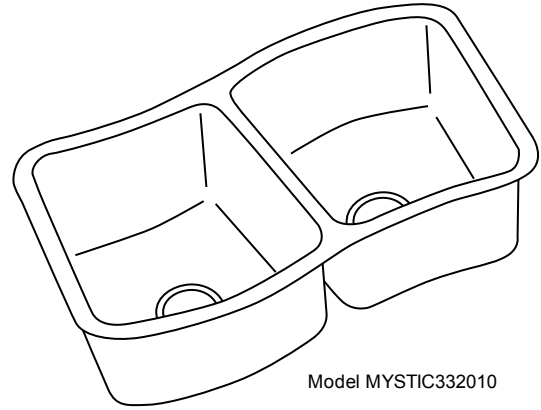
OTHER

Drain Opening: 3-1/2" (89mm).

NOTE: All Elkay undermount sinks are designed to affix to the underside of any solid surface countertop.

Installation: See illustrated profile below.

This sink complies with ASME A112.19.3-2008/CSA B45.4-08



Model MYSTIC332010

SINK PACKAGE(S)

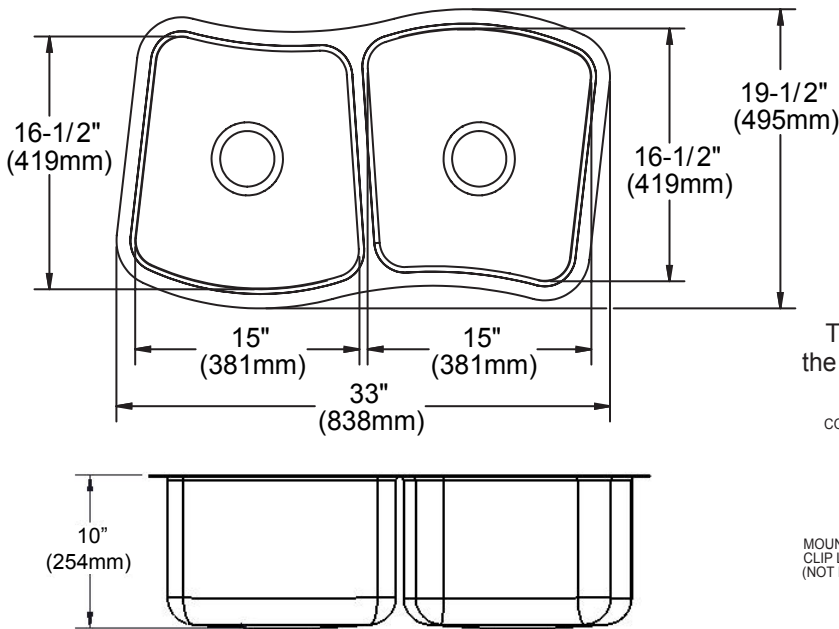
MODEL	SINK	BOTTOM GRID	QTY	DRAIN	QTY
MYSTIC332010DBG	MYSTIC332010	LKWBG1515SS	1	LK99	1

SINK DIMENSIONS*

Model Number	Overall		Inside Each Bowl			Cutout in Countertop	Minimum Cabinet Size
	L	W	L	W	D		
MYSTIC332010	33 (838mm)	19 1/2 (495mm)	15 (381mm)	16 1/2 (419mm)	10 (254mm)	See Template**	36 (914mm)

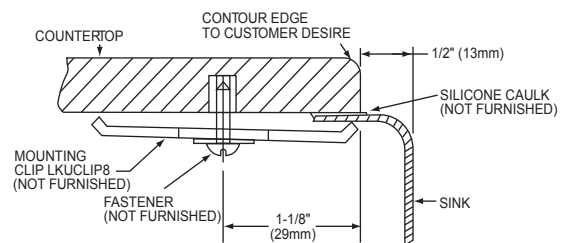
*Length is left to right. Width is front to back.

**Template is packed with every sink.



Installation Profile

The template provided with each sink provides the only type of installation recommended by Elkay



In keeping with our policy of continuing product improvement, Elkay reserves the right to change product specifications without notice. Please visit elkayusa.com for most current version of Elkay product specification sheets.

This specification describes an Elkay product with design, quality and functional benefits to the user. When making a comparison of other producers' offerings, be certain these features are not overlooked.

ELKAY[®]

SPECIFICATIONS

The Mystic[®] by Elkay Undermount Sink
Model MYSTIC332010

OPTIONAL ACCESSORIES

Mounting Clips: LKUCLIP8 (2 packages required)

Utensil Caddy for Rinsing Basket: LKWUCSS

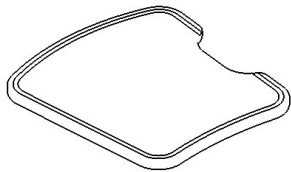
Drain: LK99

For Additional Accessories see table below

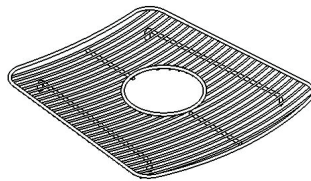
Model Number	Description	Bowl	Overall			Material/Finish
			L	W	Depth/Thickness	
LKCB1515HW	Cutting Boards	Both	15-3/4" (400mm)	17-1/4" (438mm)	1" (25mm)	Hardwood
LKWBG1515SS	Bottom Grid	Both	14-1/4" (363mm)	15-3/4" (400mm)	1-1/8" (29mm)	Polished Stainless Steel
LKWRB1515SS	Rinsing Basket	Both	13" (330mm)	14-1/2" (367mm)	5-1/2" (141mm)	Polished Stainless Steel

*Length is left to right. Width is front to back.

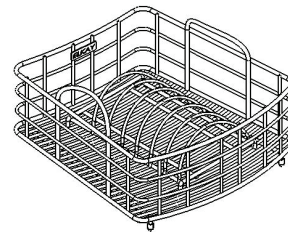
**Sink must be installed with 1/2" reveal for cutting board to fit properly.



LKCB1515HW



LKWBG1515SS



LKWRB1515SS

In keeping with our policy of continuing product improvement, Elkay reserves the right to change product specifications without notice. Please visit elkayusa.com for most current version of Elkay product specification sheets.

This specification describes an Elkay product with design, quality and functional benefits to the user. When making a comparison of other producers' offerings, be certain these features are not overlooked.

Elkay

elkayusa.com

2222 Camden Court
Oak Brook, IL 60523

Printed in U.S.A.
©2009 Elkay

(Rev. 11/09)

1-295C