

# ELKAY<sup>®</sup>

## SPECIFICATIONS

### The Mystic<sup>®</sup> by Elkay Undermount Sink Model MYSTIC332010

#### GENERAL

Highest quality contoured sink formed of #18 (1.2mm) gauge, type 304 (18-8) nickel bearing stainless steel.

#### DESIGN FEATURES

Bowl Depth: 10" (254mm).

Finish: Exposed surfaces are polished to a lustrous satin finish.

Underside: Fully protected by heavy duty Sound Guard<sup>®</sup> under-coating designed to prevent condensation and dampen sound.

#### OTHER

Drain Opening: 3-1/2" (89mm).

NOTE: All Elkay undermount sinks are designed to affix to the underside of any solid surface countertop.

Installation: See illustrated profile below.

This sink complies with ASME A112.19.3.

#### OPTIONAL ACCESSORIES

Cutting Board: LKCB1515HW.

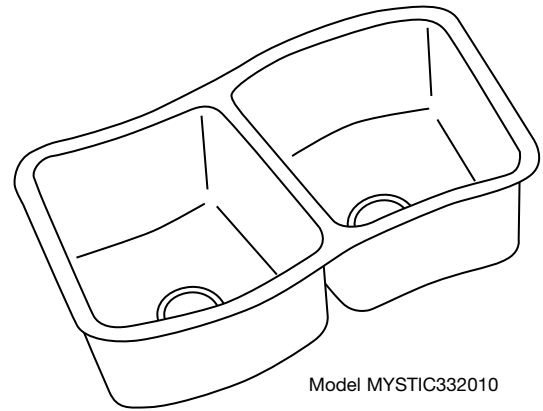
Bottom Grid: LKWBG1515SS.

#### SINK DIMENSIONS\*

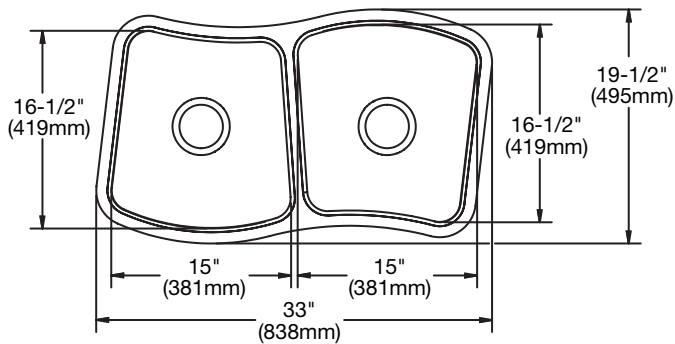
Model Number	Overall		Inside Each Bowl			Cutout in Countertop	Minimum Cabinet Size
	L	W	L	W	D		
MYSTIC332010	33 (838mm)	19 1/2 (495mm)	15 (381mm)	16 1/2 (419mm)	10 (254mm)	See Template**	36 (914mm)

\*Length is left to right. Width is front to back.

\*\*Template and countertop mounting clips are packed with every sink.

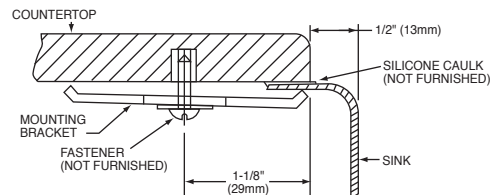


Model MYSTIC332010



#### Installation Profile

The template provided with each sink provides the only type of installation recommended by Elkay.



In keeping with our policy of continuing product improvement, Elkay reserves the right to change product specifications without notice. Please visit [elkayusa.com](http://elkayusa.com) for most current version of Elkay product specification sheets.

This specification describes an Elkay product with design, quality and functional benefits to the user. When making a comparison of other producers' offerings, be certain these features are not overlooked.

**Elkay**

[elkayusa.com](http://elkayusa.com)

2222 Camden Court  
Oak Brook, IL 60523

Printed in U.S.A.  
©2008 Elkay

(Rev. 6/08)

1-295A