


PRODUCT SPECIFICATIONS

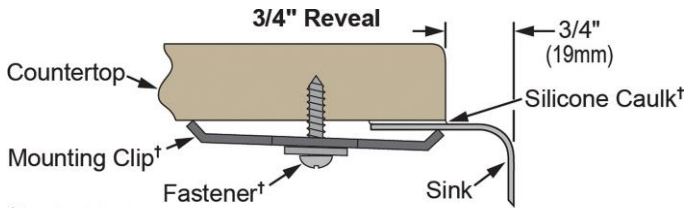
The Mystic® Stainless Steel Single Bowl Undermount Sink. Overall dimensions are 28" x 12-1/2" x 4-1/2". Sink is manufactured from 16 gauge 304 Stainless Steel with a Lustrous Satin finish, Center Left drain placement and Full spray sides and bottom.

Installation Type:	Undermount
Material:	304 Stainless Steel
Finish:	Lustrous Satin
Gauge:	16
Sound Deadening:	Full spray sides and bottom
Number of Bowls:	1
Sink Dimensions:	28" x 12-1/2" x 4-1/2"
Bowl 1 Dimensions:	25" x 7-3/4" x 4-1/2"
Drain Size:	3-1/2" (89mm)
Drain Location:	Center Left
Minimum Cabinet Size:	33"
Mounting Hardware:	Undermount brackets sold separately
Template Included:	Yes
Cutout Template #:	1000001409

Template is available for download at [elkay.com](#)

 This sink is compliant to ADA and ANSI/ICC A117.1 accessibility requirements when installed according to the requirements outlined in these standards.

Installation Profile:



†Not furnished
Designed to affix to the underside of any solid surface countertop.


OPTIONAL ACCESSORIES

Cutting Board:	LKCB2812HW
Drain:	LK99
Faucet:	LKMY1041
Hardware:	LKUCLIP8
Soap Dispenser:	LKMY1054



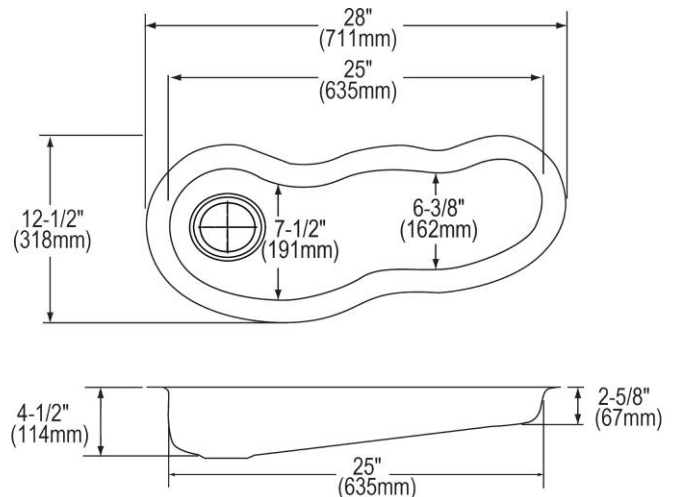
AMERICAN PRIDE. A LIFETIME TRADITION.
Like your family, the Elkay family has values and traditions that endure. For almost a century, Elkay has been a family-owned and operated company, providing thousands of jobs that support our families and communities.



 Sinks are listed by IAPMO® as meeting the applicable requirements of the Uniform Plumbing Code®, International Plumbing Code®, and National Plumbing Code of Canada.

Product Compliance: ADA
BUY AMERICAN ACT
ASME A112.19.3/CSA B45.4

[Clean and Care Manual \(PDF\)](#)
[Installation Instructions \(PDF\)](#)
[Limited Lifetime Warranty \(PDF\)](#)



PART: _____ QTY: _____
PROJECT: _____
CONTACT: _____
DATE: _____
NOTES: _____
APPROVAL: _____

In keeping with our policy of continuing product improvement, Elkay reserves the right to change product specifications without notice. Please visit [elkay.com](#) for the most current version of Elkay product specification sheets. This specification describes an Elkay product with design, quality, and functional benefits to the user. When making a comparison of other producers' offerings, be certain these features are not overlooked.