

# ELKAY<sup>®</sup>

## SPECIFICATIONS

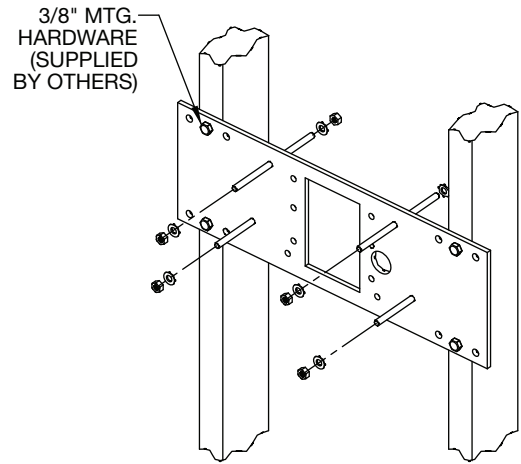
### In-Wall Mounting Plate Model MPW101

#### GENERAL

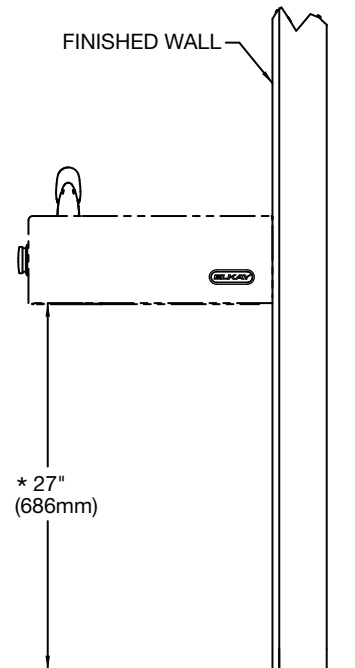
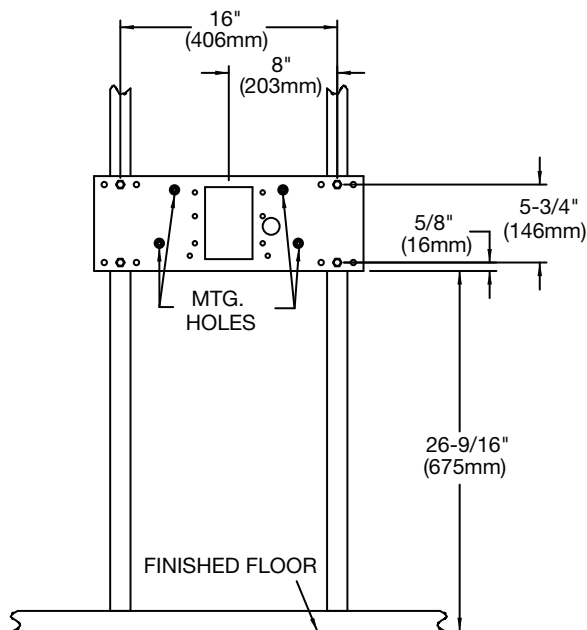
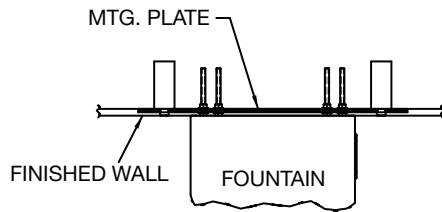
In-Wall Support Plate constructed of heavy gauge steel supports up to 300 lbs. Plate can be installed directly to studs or in conjunction with ML100 mounting legs. All parts painted with protective coating to last.

Universal design enables you to mount EDFP210, EDFP214, EDFPB114, and EHW214 models all on one mounting plate.

Adjustable height setting allows for adult or child installation.



Model MPW101



\* ADA REQUIREMENT

\*\* WITH STANDARD STUD LENGTH OF 6 INCHES.

NOTE - AFTER INSTALLATION, THREADED RODS MAY NEED TO BE TRIMMED

*In keeping with our policy of continuing product improvement, Elkay reserves the right to change product specifications without notice.*

*This specification describes an Elkay product with design, quality and functional benefits to the user. When making a comparison of other producers' offerings, be certain these features are not overlooked.*