

ELKAY[®]

SPECIFICATIONS

Commercial Faucet Model LK945GN04T4T Wall Mount 3"-8" Adjustable Centers Gooseneck 4"

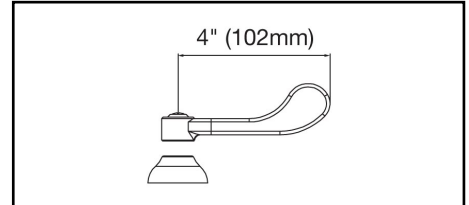
GENERAL FEATURES

- Quarter turn ceramic disc cartridge
- Solid brass construction
- Chrome finish
- Replacement cartridge A70001 for cold
- Replacement cartridge A70002 for hot
- Includes spout swing restriction pin
- 2" offset for adjustable installation, 1/2" NPT Female Inlets

COMPLIES WITH:

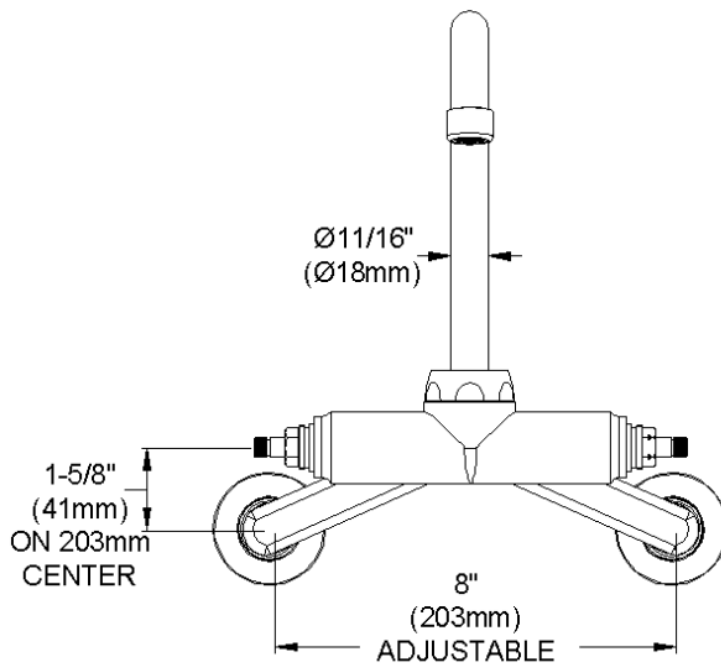
- ASME/ANSI A112.18.1
- CSA B125-01
- NSF/ANSI 61
- ADA
- UPC/CUPC
- IAPMO Listed

Wristblade Handle 4 inch, Two Piece



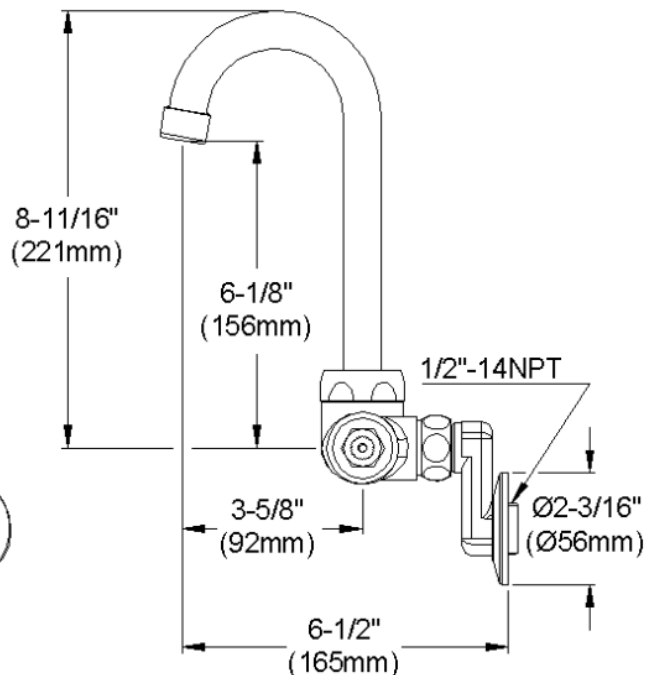
Replacement Handle A55387

Replacement Escutcheon A55391



FRONT VIEW

(shown less handles)



SIDE VIEW

Job Name:

Item #:

Notes:

Architect/Engineer Approval:

Date: 10/17/2005

For warranty information go to www.elkayusa.com