

ELKAY® SPECIFICATIONS

Electronic Lavatory Faucet Model LK736AC

GENERAL FEATURES

Sensor activated, transformer powered, electronic, chrome plated die-cast metal, hand washing faucet with the following features:

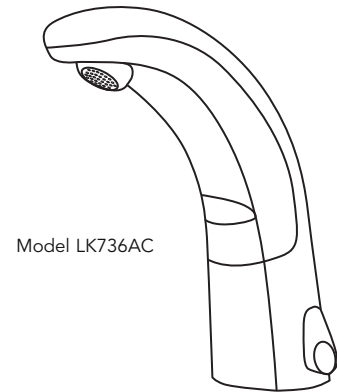
- For pre-tempered or hot and cold operation
- Modular one-piece construction with all concealed components above deck
- Double infrared sensors with automatic setup and indicator light
- Automatic self-adapting sensor technology
- Low battery indicator
- Magnetic solenoid valve
- Water supply connection with flexible high-pressure hose and strainer
- 6 volt DC plug-in transformer
- Appropriate mounting hardware included
- Limited 5 year warranty
- Optional 24 hour sentinel activation
- Flow rate: .5 GPM/1.9 LPM max. flow aerator

ELECTRICAL SPECIFICATIONS

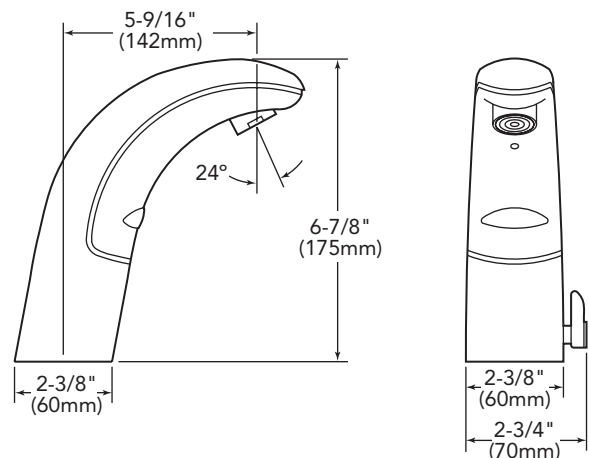
- 6 VDC control circuit - includes auto set range adjustment
- Nominal sensor range: 4" (102mm) - 5" (127mm)
- Faucet adaptive self-adjustment range: 2" (51mm) - 14" (356mm)
- Power supply: 120 VAC/6 VDC plug-in transformer
- Time out setting: 2 minutes - maximum time faucet will run upon continuous detection

CODES/STANDARDS

- ASME A112.18.1 and CSA B125.1
- ADA compliant
- IAPMO
- cUPC



Model LK736AC



SEE OTHER PAGES FOR OPERATION, ROUGH-IN AND REPLACEMENT PARTS INFORMATION

ELKAY LIMITED FIVE YEAR FAUCET WARRANTY ON COMMERCIAL FAUCETS

Limited Five Year Functional and Finish Warranty

Elkay warrants to the original consumer purchaser that the Elkay faucet will be free from defects in material and workmanship for Five Years from the original installation date. Elkay will, at its option, supply replacement parts (or if no longer available a comparable product) if the faucet fails due to a defect in material or workmanship. This warranty does not apply in the event of produce surface damage caused by abuse, misuse or improper care and maintenance. This warranty excludes damage caused by harsh or abrasive cleaners and/or materials. This warranty includes all industrial, commercial and business use. Product replacement does not include transportation cost or labor installation cost. Elkay reserves the right to examine product in question and its installation prior to replacement.

OTHER WARRANTY CONDITIONS ON FAUCETS

Our warranty does not cover product failure or damage caused by abusive treatment, misuse, environmental factors, improper care and cleaning, or damage due to handling or faulty installations. This warranty is extended only to the original consumer purchaser of the product. This warranty does not cover shipping costs, labor costs, or any other charges for such items as installation or replacement of the sink, diagnosis or replacement of any faucet or component part, or any other expense or loss.

ALL INCIDENTAL OR CONSEQUENTIAL DAMAGES ARE SPECIFICALLY EXCLUDED. NO ADDITIONAL WARRANTIES, EXPRESS OR IMPLIED ARE GIVEN. ANY IMPLIED WARRANTY, INCLUDING ONE OF MERCHANTABILITY OR FITNESS FOR A PARTICULAR PURPOSE, IS LIMITED TO THE DURATION OF THIS WRITTEN WARRANTY.

Some states do not allow the exclusion or limitation of incidental or consequential damages or limitations on how long an implied warranty lasts, so the above limitations or exclusions may not apply to you.

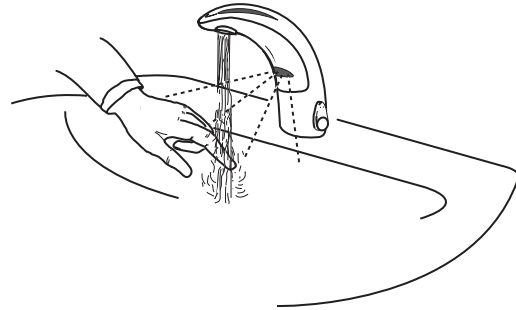
This warranty gives you specific legal rights, and you may also have other rights which vary from state to state.

TO OBTAIN SERVICE UNDER WARRANTY

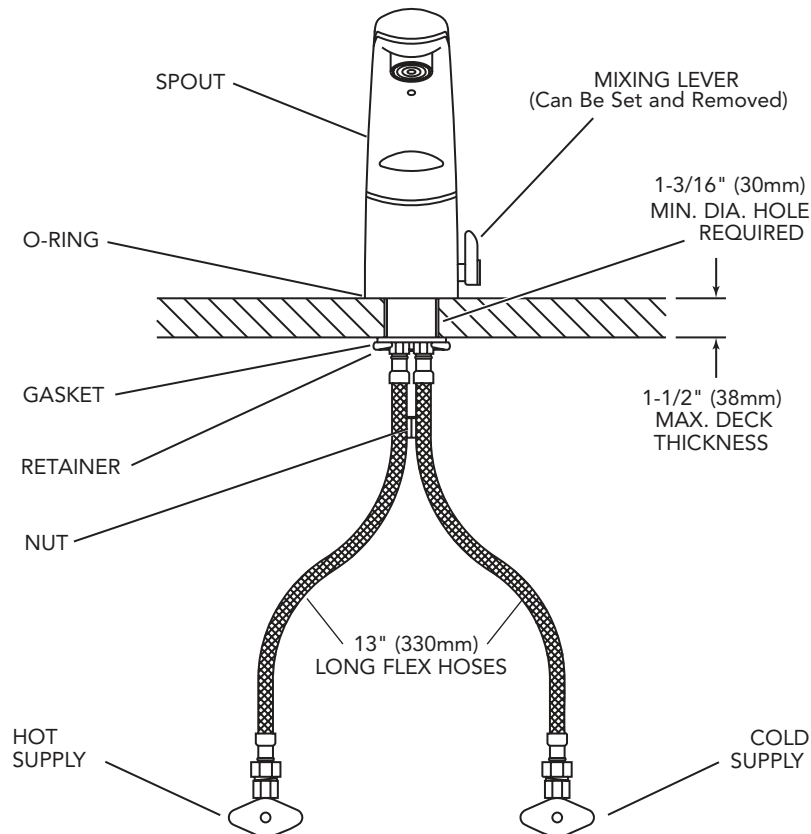
1. Write to: Elkay
Attention: Consumer Services
2222 Camden Court
Oak Brook, IL 60523
2. Include a letter containing the following information:
 - a. Date of purchase and installation
 - b. Description of nature of defect
 - c. Model number or description of model and/or component part if possible.

Operation

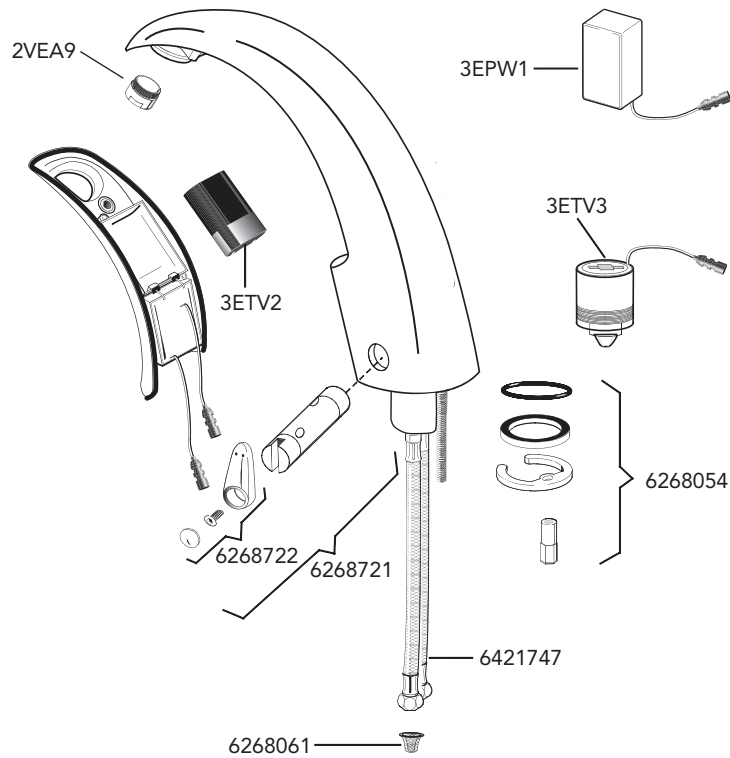
As the user's hand enters the beam's effective range, the beam is reflected back into the sensor receiver and activates the solenoid valve allowing water to flow from the faucet. Water will flow until the hands are removed or until the faucet reaches its automatic time out limit setting.



**LK736AC Rough-In
Faucets with Hot and Cold Water Supply**



Replacement Parts



Part No.	Description
2VEA9	0.5 gpm (1.9Lpm) Spray Head
	Throat Plate Assembly (Battery Model)
3ETV2	Battery Replacement Kit
6268054	Faucet Mounting Kit
6268061	Strainer (Filter)
6268721	Mixer Handle Assembly and Cartridge
6268722	Handle Repair Kit
3EPW1	Transformer
3ETV3	Solenoid Valve
6421747	13" (330mm) Flexible Supply Hose

Replacement Parts Available at
www.Grainger.com