

SPECIFICATIONS

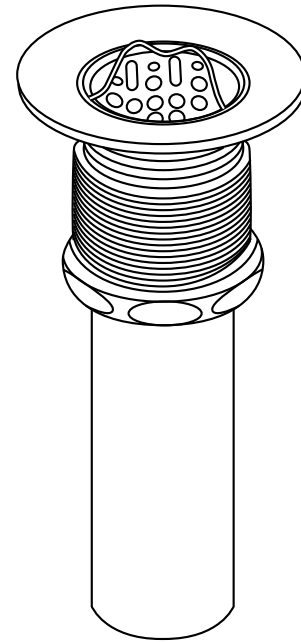
GENERAL

Small basket strainer for use with bar sinks.

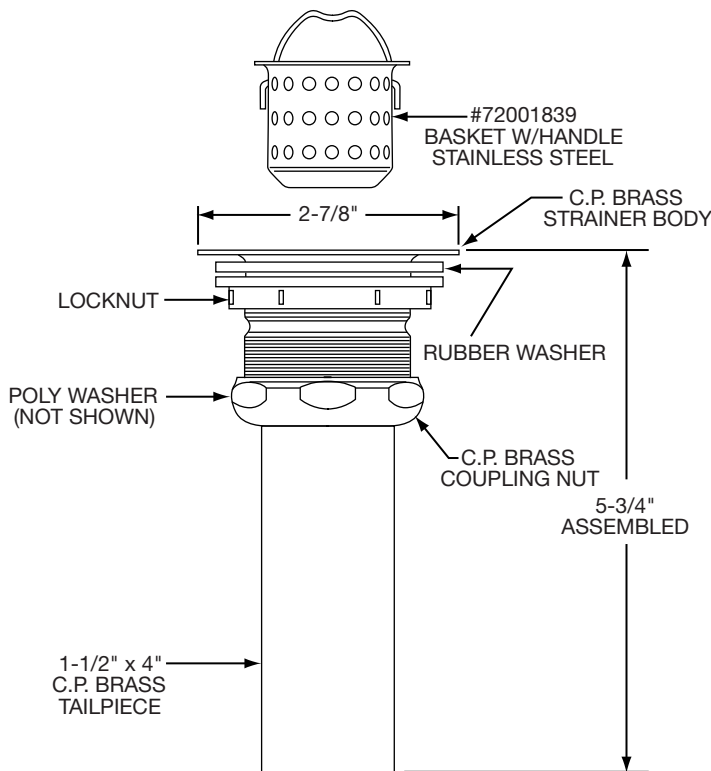
DESIGN FEATURES

Fits 2" opening, with overall top diameter of approximately 2-7/8". Chrome plated, 1-1/2" overall diameter tailpiece included.

This drain is sold both as an accessory item, as well as with selected sink packages.



Model LK36



ALL DIMENSIONS IN INCHES, TO CONVERT TO MILLIMETERS MULTIPLY BY 25.4.

In keeping with our policy of continuing product improvement, Elkay reserves the right to change product specifications without notice.

This specification describes an Elkay product with design, quality and functional benefits to the user. When making a comparison of other producers' offerings, be certain these features are not overlooked.