

# ELKAY<sup>®</sup> SPECIFICATIONS

## Gourmet e-dock™ Sink Models LR3122EK

### GENERAL

Highest quality sink formed of #18 (1.2mm) gauge, type 304 (18-8) nickel bearing stainless steel with e-dock. Top mount.

### DESIGN FEATURES

Bowl Depth: 9-1/8" (232mm)

Coved Corners: 1-3/4" (44mm) vertical and horizontal radius.

Rim Height: 5/32" (4mm)

Finish: Exposed surfaces are hand polished to a Lustrous Highlighted Satin finish.

Underside: Fully undercoated to dampen sound and reduce condensation.

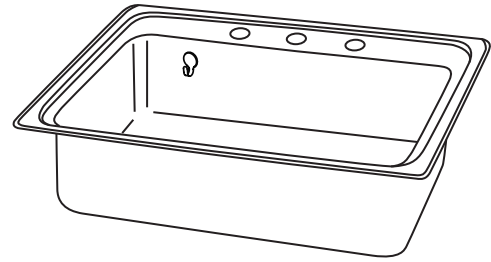
e-dock sinks have been designed to allow stainless steel accessories to be magnetically positioned on any of the four sidewalls of the sink. Each e-dock sink is shipped with the stainless steel hook accessory (LKEKHOOK). Additional e-dock accessories are available.

### Patent Pending

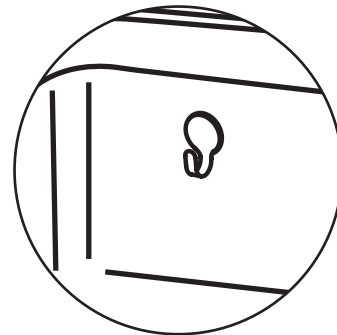
### OTHER

Drain opening: 3-1/2" (89mm)

Sink complies with ASME A112.19.3-2008 / CSA B45.4-08.



Model LR3122EK3



Included

### OPTIONAL ACCESSORIES

Bottom Grids: LKWBG2816SS

Cutting Boards: CB1713, CBS1316

Drain: LK99

Rinsing Baskets: LKWRB2816SS, LKWERBSS

Utensil Caddy for Rinsing Basket: LKWUCSS

### e-dock ACCESSORIES\*

Model Number	Description	Overall			Material
		L	W	D	
LKEKSPONGE	Sponge Holder	3-1/2 (89mm)	1-1/4 (32mm)	3-1/8 (79mm)	Stainless Steel
LKEKLEDGE	Ledge	2-5/8 (67mm)	3-1/2 (89mm)	3-7/8 (98mm)	Stainless Steel
LKEKHOOK	Hook	1-3/4 (44mm)	1-1/8 (29mm)	2-7/16 (62mm)	Stainless Steel
LKEKUTENSIL	Utensil Holder	3 (76mm)	2-1/2 (51mm)	5-3/8 (137mm)	Stainless Steel
LKDEK35	Disposal Cover	2-11/16 (68mm)	2-11/16 (68mm)	1-1/4 (32mm)	Stainless Steel

\*Furnished with magnet (LKEKMAGNET)



LKEKSPONGE



LKEKLEDGE



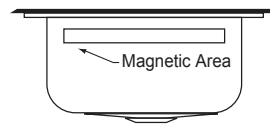
LKEKHOOK



LKEKUTENSIL

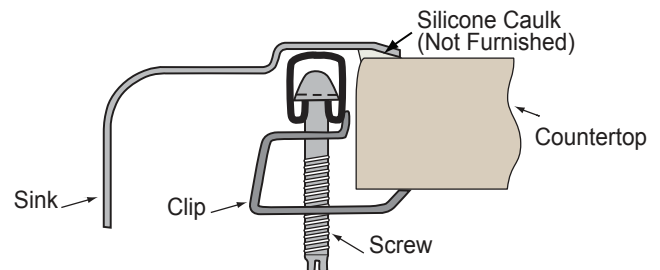


LKDEK35



All four sides of sink

### Installation Profile



**Warning:** This product contains magnets. Keep away from credit cards, computer hard drives, magnetic I.D. cards, and other magnetic media. Magnets may interfere with medical devices such as pacemakers. Consult your physician before use. Pinch hazard - magnets can jump out of your hands and snap together from a surprising distance before you realize what's happening.

In keeping with our policy of continuing product improvement, Elkay reserves the right to change product specifications without notice. Please visit [elkayusa.com](http://elkayusa.com) for most current version of Elkay product specification sheets.

This specification describes an Elkay product with design, quality and functional benefits to the user. When making a comparison of other producers' offerings, be certain these features are not overlooked.

**Elkay**

[elkayusa.com](http://elkayusa.com)

2222 Camden Court  
Oak Brook, IL 60523

Printed in U.S.A.  
©2011 Elkay

(Rev. 7/11) 1-439A

# ELKAY<sup>®</sup>

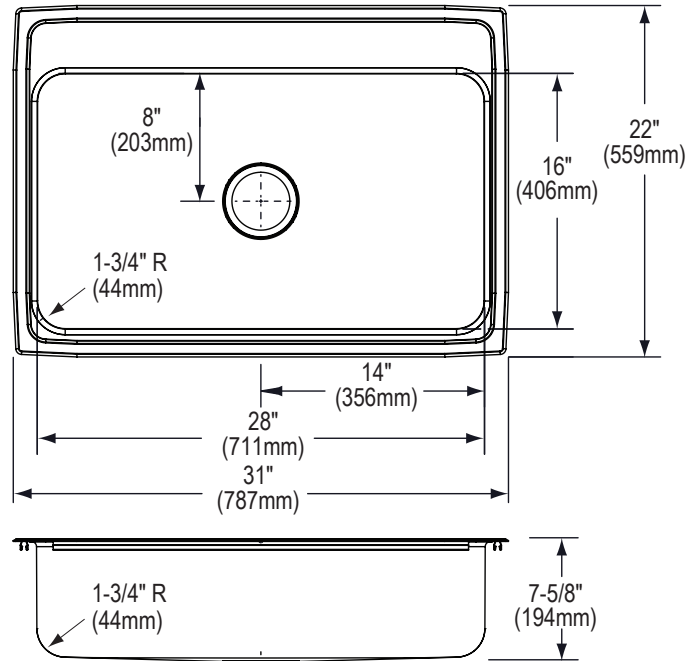
## SPECIFICATIONS

### Gourmet e-dock™ Sink Models LR3122EK

#### SINK DIMENSIONS\*

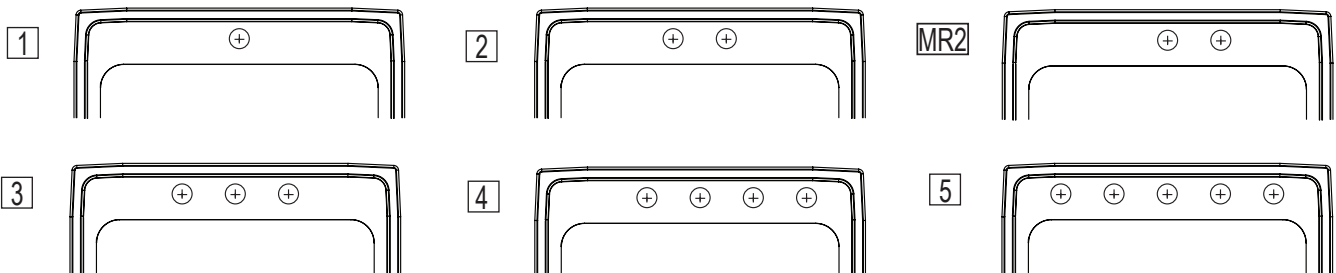
Model Number	Overall		Inside Bowl			Cutout in Countertop [1½" (38mm) Radius Corners]		No. of 1½" (38mm) Dia. Faucet Holes 4" (102mm) Center	Minimum Cabinet Size
	L	W	L	W	D	L	W		
	A	B	D	E	F	L	W		
LR3122EK	31 (787mm)	22 (559mm)	28 (711mm)	16 (406mm)	7 <sup>5</sup> / <sub>8</sub> (194mm)	30 <sup>3</sup> / <sub>8</sub> (772mm)	21 <sup>3</sup> / <sub>8</sub> (543mm)	1, 2, MR2, 3, 4 or 5	36 (914mm)

\*Length is left to right. Width is front to back.



#### Hole Drilling Configurations

1-1/2" (38mm) Diameter Faucet Holes on 4" (102mm) Centers



In keeping with our policy of continuing product improvement, Elkay reserves the right to change product specifications without notice. Please visit [elkayusa.com](http://elkayusa.com) for most current version of Elkay product specification sheets.

This specification describes an Elkay product with design, quality and functional benefits to the user. When making a comparison of other producers' offerings, be certain these features are not overlooked.