

Ella™ Single Handle Kitchen Faucet Models LK7721 and LK7722

FEATURES

Model LK7721

- Single-lever faucet
- Two hole top mount installation
 - Two 1-1/2" (38mm) diameter faucet hole(s) required
 - Maximum countertop thickness is 2-1/2" (64mm)
- Stainless steel construction
- Ceramic disc cartridge
- 3/8" (10mm) O.D.; 10" (254mm) LONG; copper tube connections
- Flexible braided stainless steel supply hoses with 1/2" (13mm) male IPS adapters.
- Ship Wt. 8 lbs. (3.6Kg)
- Due to the weight of this faucet, ElKay recommends that it be installed to an 18 gauge stainless steel sink (or heavier) or to a solid surface counter top
- Available in the following finishes
 - Polished stainless steel **LK7721PSS, LK7722PSS**
 - Satin Stainless steel **LK7721SSS, LK7722PSS**

Model LK7722

- Same as LK7721 except with a retractable spray head and hose
- Three hole top mount installation
- Maximum countertop thickness is 2" (50.8mm)

Maximum flow rate

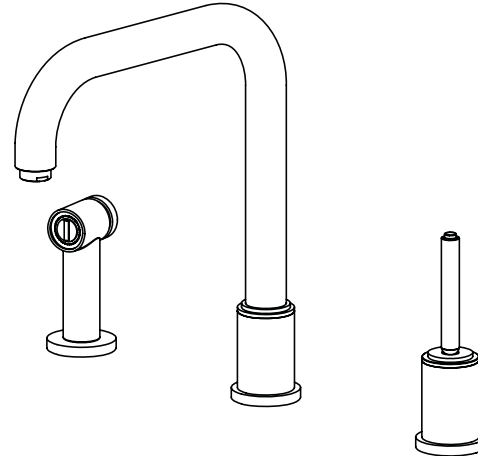
2.5 GPM/9.5 L/min at 80 P.S.I.G.
2.2 GPM/8.3 L/min at 60 P.S.I.G.

WARRANTY

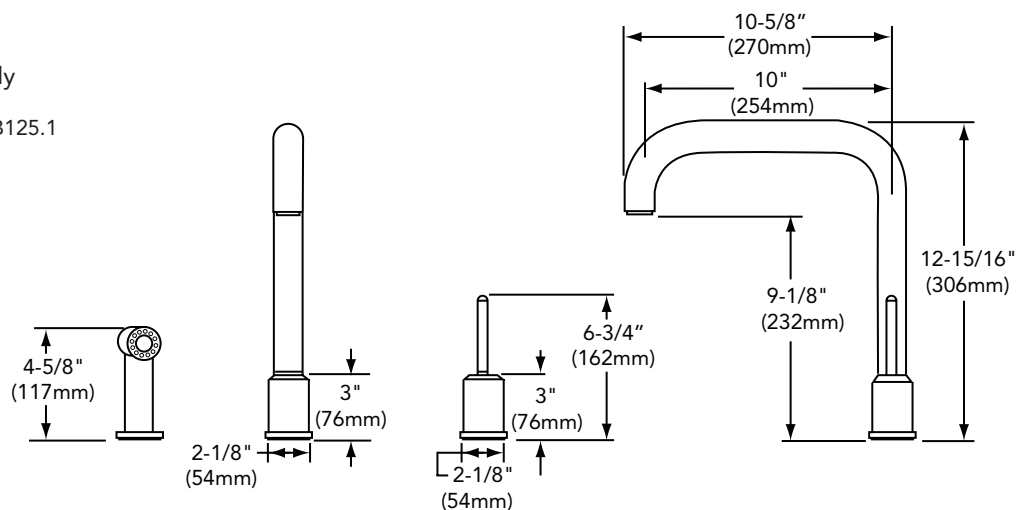
- Limited Lifetime

COMPLIES WITH:

- ADA
 - LK7721 models only
- ANSI/NSF61 - Certified
- ASME A112.18.1/CSA B125.1
- CA AB1953/VT S152



Model LK7722



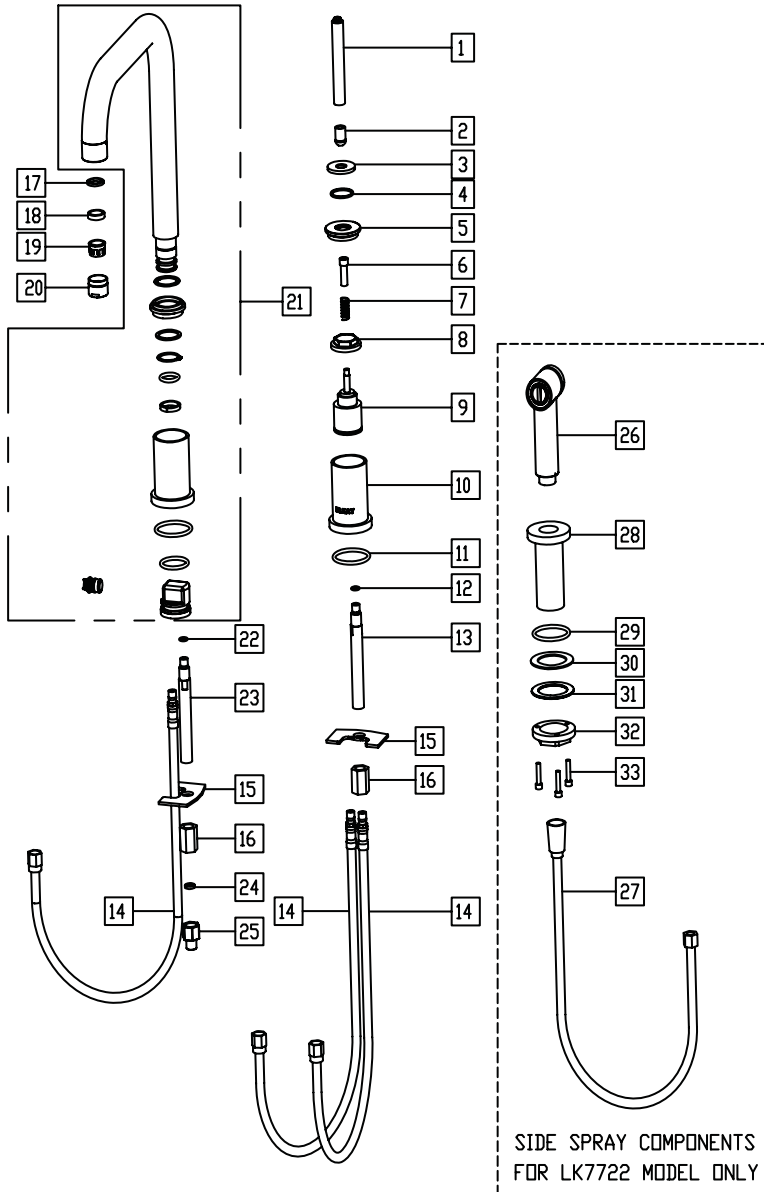
Model LK7722 Illustrated

SEE OTHER SIDE FOR REPLACEMENT PARTS

Ella™ Single Handle Kitchen Faucet Models LK7721 and LK7722

FINISH CODE	FINISH
PSS	POLISHED
SSS	SATIN

ITEM	IND. PART	KIT. PART	DESCRIPTION
1	P01251*	LK770*	HANDLE
2	P01252*	N/A	HANDLE HEAD
3	P46032*	N/A	VALVE COVER PLATE
4	P35242	N/A	PLASTIC RING
5	P02154*	N/A	VALVE CAP
6	P36113	N/A	SCREW
7	P35156	N/A	SPRING
8	P01255	N/A	NUT
9	P29119	LK771*	CARTRIDGE
10	P47085*	N/A	VALVE BODY
11	P37122	N/A	O-RING
12	P37102	N/A	O-RING
13	P48016	N/A	SHANK HOSE
14	P47001XX	N/A	SUPPLY HOSE
15	P35179	LK772	MOUNTING HARDWARE
16	P02157		
17	P05124	LK775*	AERATOR ASSEMBLY
18	P05123		
19	P05122		
20	P05121*		
21	N/A	LK783*	LK7721 SPOUT
		LK784*	LK7722 SPOUT
22	P37102	N/A	O-RING
23	P48016	N/A	SHANK HOSE
24	P35181	N/A	RUBBER SEAL
25	P48047	N/A	HOSE ADAPTER
26	P45101*	N/A	SIDE SPRAY ASSEMBLY
27	P45001	N/A	S.S. HOSE
28	P45103*	N/A	SIDE SPRAY BASE
29	P37122	N/A	O-RING
30	P35148	N/A	MOUNTING SEAL
31	P35147	N/A	MOUNTING PLATE
32	P02156	N/A	MOUNTING NUT
33	P36132	N/A	CAP SCREW



*-DESIGNATES A PART THAT WILL NEED THE FINISH CODE (FROM THE TOP CHART) ADDED TO THE END FOR ORDERING. I.E. LK778PSS