

**PRODUCT SPECIFICATIONS**

Elkay Avado Single Hole Kitchen Faucet with Semi-Professional Spout Forward Only Lever Handle. Faucet has a flow rate of 1.5 GPM, and is made of Brass material, with a Ceramic Disc valve. Faucet requires 1 faucet holes.

|                                |   |
|--------------------------------|---|
| <b>Mounting Type:</b>          | Deck Mount  |
| <b>Special Features:</b>       | Low Flow<br>Solid Brass Waterway Construction               |
| <b>Spray Type:</b>             | Pre Rinse   |
| <b>Finish:</b>                 | Chrome (CR), Lustrous Steel (LS)                            |
| <b>Handle Type:</b>            | Forward Only Lever Handle                                   |
| <b>Deck Clearance:</b>         | 8-1/2"  |
| <b>Spout Reach:</b>            | 8-1/2"  |
| <b>Spout Height:</b>           | 24-1/4"   |
| <b>Hole Drillings:</b>         | 1   |
| <b>Material:</b>               | Brass   |
| <b>Valve Type:</b>             | Ceramic Disc  |
| <b>Flow Rate:</b>              | 1.5 GPM   |
| <b>Faucet Hole Size (min):</b> | 1-3/8"  |
| <b>Countertop Thickness:</b>   | 2-1/2"  |
| <b>Spout Swing Rotation:</b>   | 360°  |
| <b>Spout Type:</b>             | Semiprofessional  |
| <b>Spray Functions:</b>        | Aerated, Spray, Pause, Stainless Steel Coil Hand Spray Hose |

**Special Note:** 1.5 GPM flow regulator installed (2.2 GPM flow regulator also included with faucet)

**OPTIONAL ACCESSORIES**

|   |
|---|
| LK325CR - Elkay 1-3/4" x 4-1/2" x 3" Soap / Lotion Dispenser, Chrome (CR)         |
| LK325LS - Elkay 1-3/4" x 4-1/2" x 3" Soap / Lotion Dispenser, Lustrous Steel (LS) |
| LK133CR - Elkay 3-Hole Escutcheon Plate, Chrome (CR)                              |



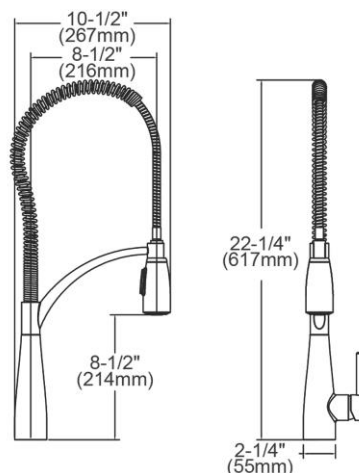
AMERICAN PRIDE. A LIFETIME TRADITION. Like your family, the Elkay family has values and traditions that endure. For almost a century, Elkay has been a family-owned and operated company, providing thousands of jobs that support our families and communities.

**Product Compliance:** ASME A112.18.1/CSA B125.1  
NSF 61  
NSF 372 (lead free)



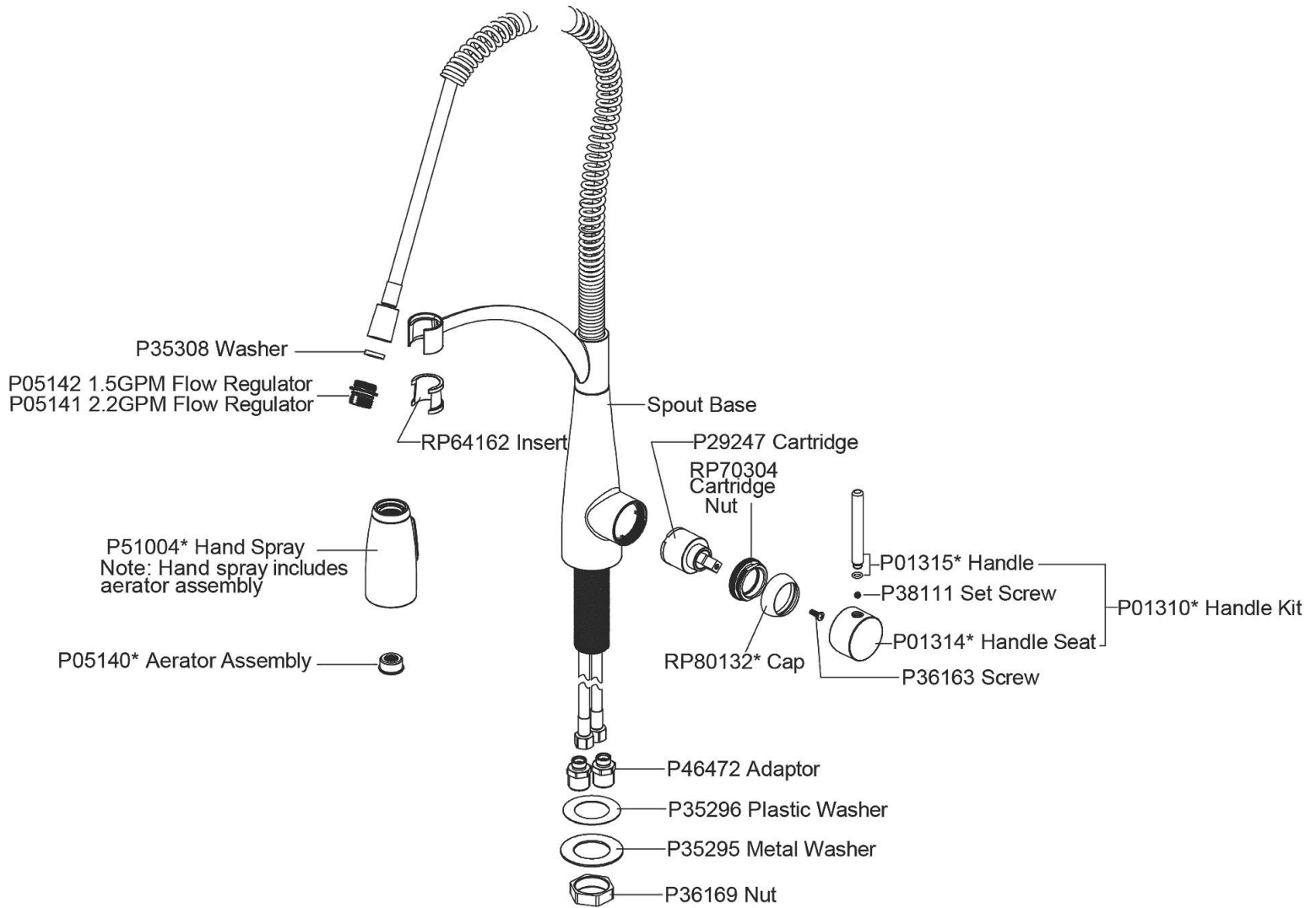
Complies with ADA & ICC A117.1 accessibility requirements when installed according to the requirements outlined in these standards.

[Clean and Care Manual \(PDF\)](#)  
[Installation Instructions \(PDF\)](#)  
[Warranty \(PDF\)](#)



PART: \_\_\_\_\_ QTY: \_\_\_\_\_  
 PROJECT: \_\_\_\_\_  
 CONTACT: \_\_\_\_\_  
 DATE: \_\_\_\_\_  
 NOTES: \_\_\_\_\_  
 APPROVAL: \_\_\_\_\_

*In keeping with our policy of continuing product improvement, Elkay reserves the right to change product specifications without notice. Please visit [elkay.com](http://elkay.com) for the most current version of Elkay product specification sheets. This specification describes an Elkay product with design, quality, and functional benefits to the user. When making a comparison of other producers' offerings, be certain these features are not overlooked.*



*In keeping with our policy of continuing product improvement, Elkay reserves the right to change product specifications without notice. Please visit [elkay.com](http://elkay.com) for the most current version of Elkay product specification sheets. This specification describes an Elkay product with design, quality, and functional benefits to the user. When making a comparison of other producers' offerings, be certain these features are not overlooked.*