

ELKAY[®]

SPECIFICATIONS

Commercial Faucet Model LK940GN04L2S Wall Mount 8" Center Gooseneck 4"

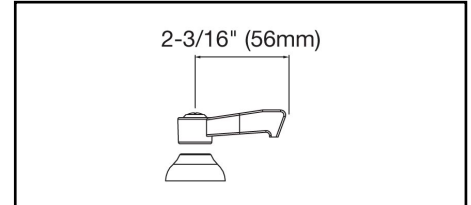
GENERAL FEATURES

- Quarter turn ceramic disc cartridge
- Solid brass construction
- Chrome finish
- Replacement cartridge A70001 for cold
- Replacement cartridge A70002 for hot
- Includes spout swing restriction pin
- Shut off valve with 1/2" NPT Female Inlets

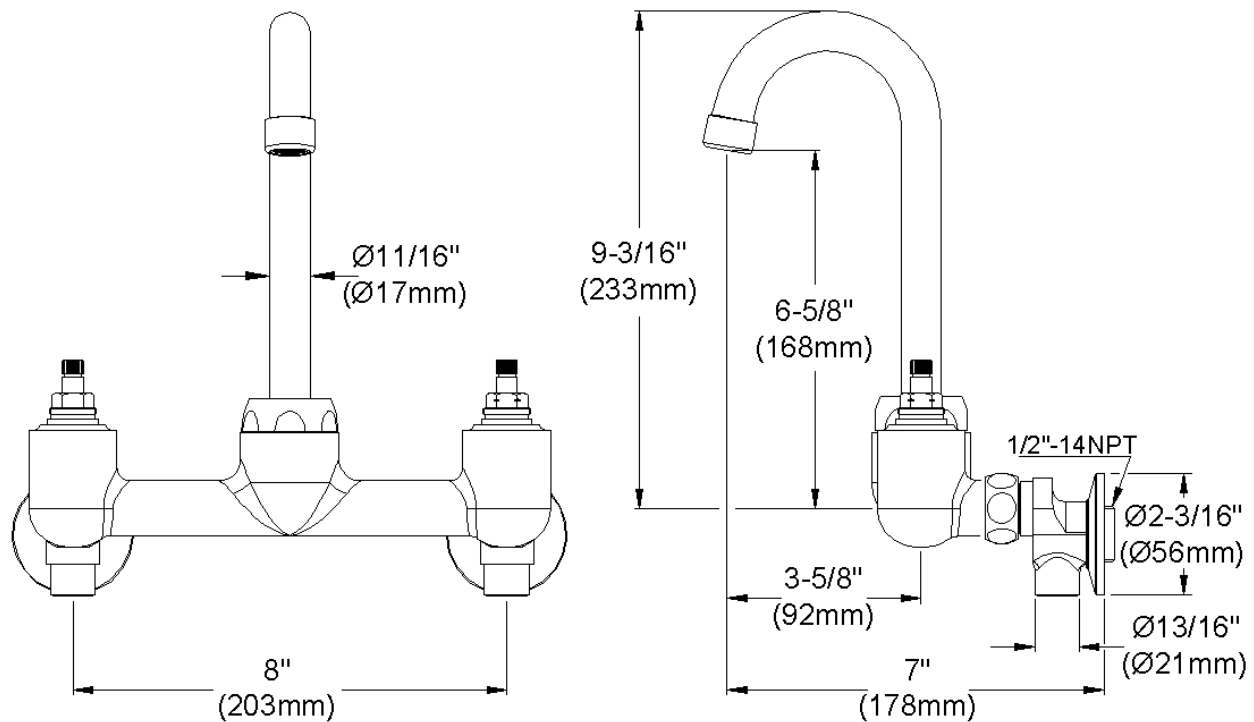
COMPLIES WITH:

- ASME/ANSI A112.18.1
- CSA B125-01
- NSF/ANSI 61
- ADA
- UPC/CUPC
- IAPMO Listed

Lever Handle 2 inch, Two Piece



Replacement Handle A55385
Replacement Escutcheon A55390



FRONT VIEW

(shown less handles)

SIDE VIEW

| | |
|-------------------------------------|-------------------------|
| Job Name: | Item #: |
| Notes: | |
| Architect/Engineer Approval: | Date: 10/31/2005 |

For warranty information go to www.elkayusa.com