

Ella™ Wall Mount Pot Filler Models LK7757

FEATURES

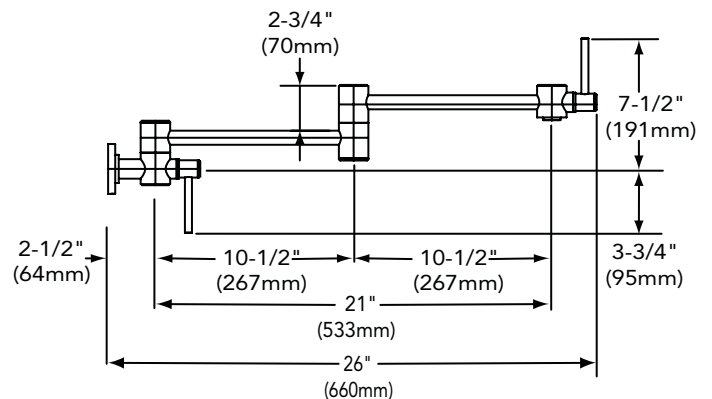
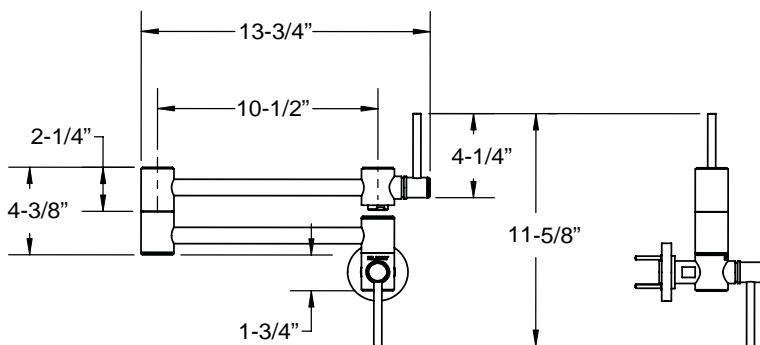
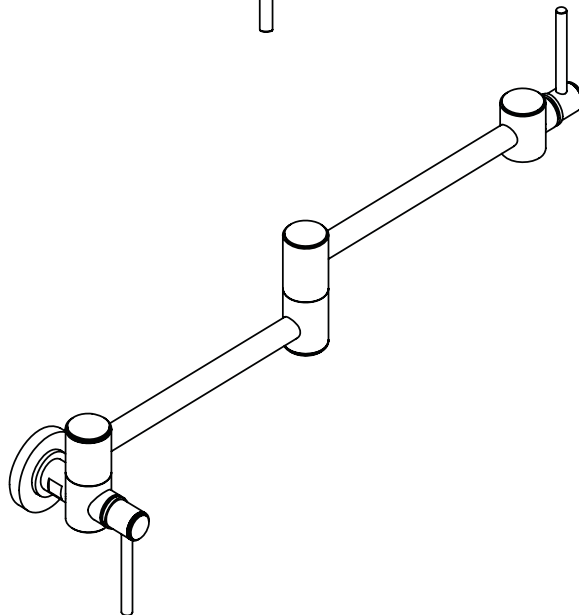
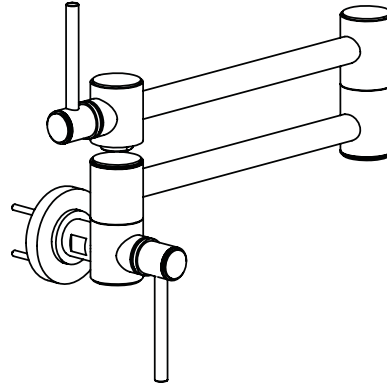
- Single hole wall mount installation
- 1-1/4" (318mm) diameter faucet hole required
- Dual-lever pot filler
- Stainless steel construction
- 360° swing arms
- Ceramic disc cartridge
- Available in the following finishes
 - Polished stainless steel **LK7757PSS**
 - Satin stainless steel **LK7757SSS**
- Ship Wt. 7.75 lbs. (3.5Kg)
- Maximum flow rate
 - 2.5 GPM/9.5 L/min at 80 P.S.I.G.
 - 2.2 GPM/8.3 L/min at 60 P.S.I.G.

WARRANTY

- Limited Lifetime

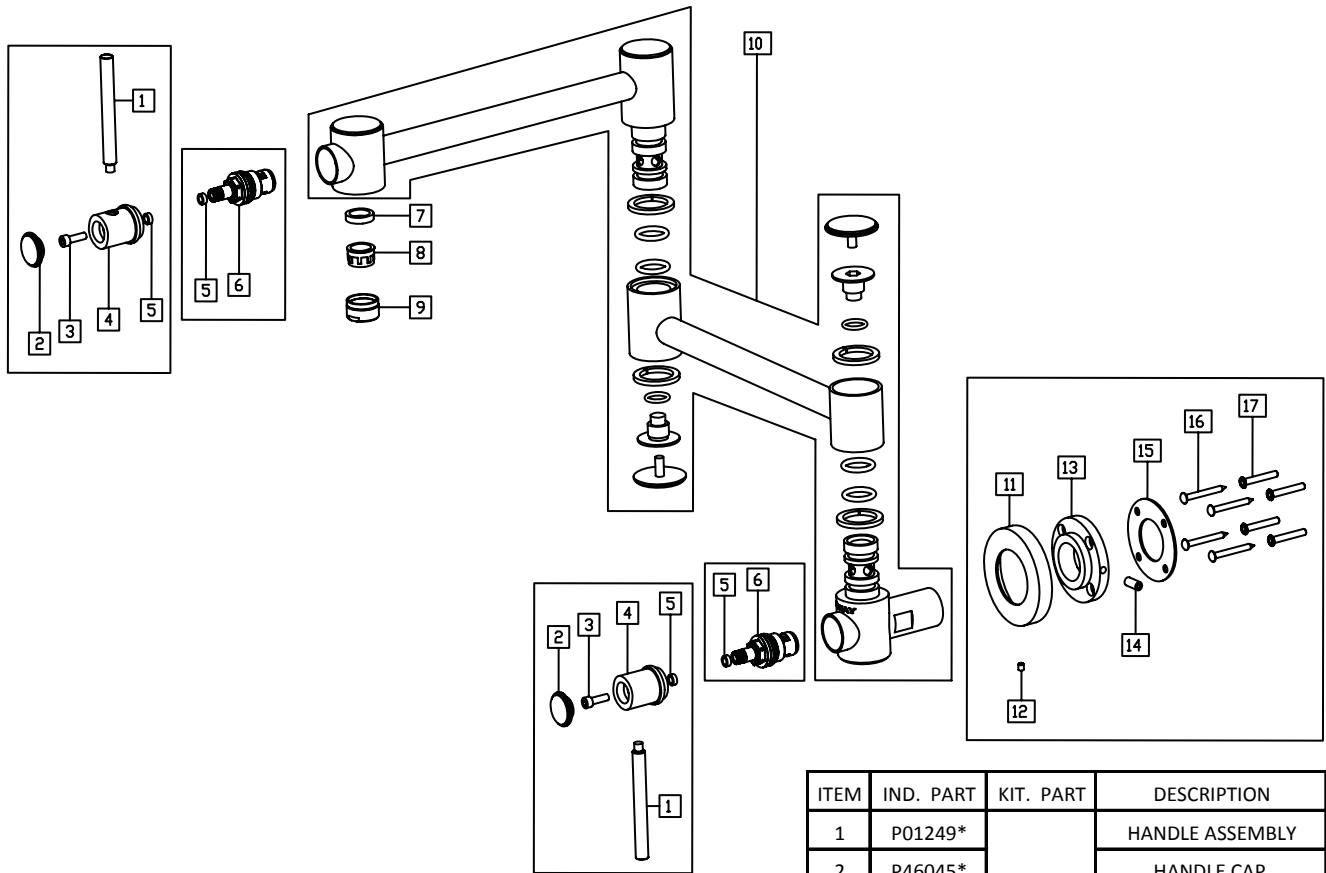
COMPLIES WITH:

- ADA
- ANSI/NSF61 - Certified
- CA AB1953/ VT S152



SEE OTHER SIDE FOR REPLACEMENT PARTS

Ella™ Wall Mount Pot Filler Model LK7757



ITEM	IND. PART	KIT. PART	DESCRIPTION
1	P01249*	LK778*	HANDLE ASSEMBLY
2	P46045*		HANDLE CAP
3	P36131		SPRING
4	P46045*		HANDLE HEAD
5	P35243	LK779	SPACER
5	P35243		CARTRIDGE ASSEMBLY
6	P29120		
7	P05123	LK780*	AERATOR ASSEMBLY
8	P05122		
9	P05125*		
10	N/A	LK786*	WALL FAUCET BODY
11	P46035*	LK787*	WALL HARDWARE
12	P38103		
13	P35244*		
14	P38102		
15	P35126		
16	P36128		
17	P36138		

*-DESIGNATES A PART THAT WILL NEED THE FINISH CODE (FROM THE TOP CHART) ADDED TO THE END FOR ORDERING. I.E. LK778PSS