

SPECIFICATIONS

GENERAL

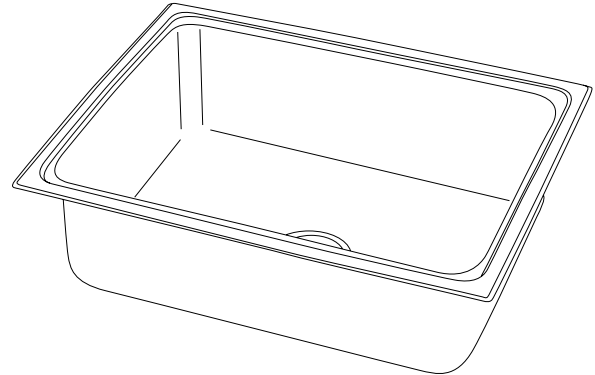
Lustertone sink without faucet ledge. Ideal for narrow counter-tops. Highest quality. Sink bowl seamlessly drawn of #18 gauge, type 304 (18-8) nickel bearing stainless steel. Self-rimming.

DESIGN FEATURES

- Bowl Depth: 7-5/8".
- Coved Corners: 1-3/4" vertical and horizontal radius.
- Bowl Recess: 3/16" below outside edge of sink.
- Finish: Exposed surfaces are hand blended to a lustrous highlighted satin finish.
- Underside: Fully undercoated to prevent condensation and deaden sound.

OTHER

Drain Opening: 3-1/2".

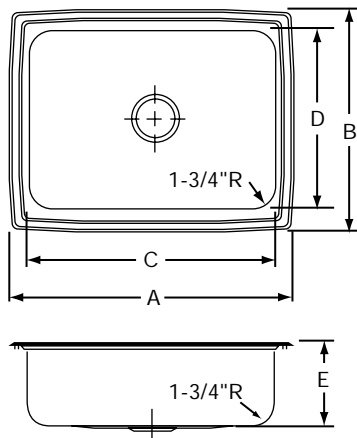


Model LFR2519

SINK DIMENSIONS (INCHES)*

Model Number	Overall		Inside Bowl			Cutout in Countertop (1 1/2" Radius Corners)		Minimum Cabinet Size	Ship. Wt. Lbs.
	L	W	L	W	D	L	W		
	A	B	C	D	E	L	W		
LFR1515	15	15	12	12	7 ⁵ / ₈	14 ³ / ₈	14 ³ / ₈	18	8
LFR1717	17	17 ¹ / ₂	14	14	7 ⁵ / ₈	16 ³ / ₈	16 ⁷ / ₈	21	10
LFR1915	19	15	16	11 ¹ / ₂	7 ⁵ / ₈	18 ³ / ₈	14 ³ / ₈	24	10
LFR1918	19	18	16	13 ¹ / ₂	7 ⁵ / ₈	18 ³ / ₈	17 ³ / ₈	24	11
LFR2519	25	19 ¹ / ₂	21	15 ³ / ₄	7 ⁵ / ₈	24 ³ / ₈	18 ⁷ / ₈	30	16

*Length is left to right. Width is front to back.



Model LFR2519 Illustrated

ALL DIMENSIONS IN INCHES, TO CONVERT TO MILLIMETERS MULTIPLY BY 25.4.

In keeping with our policy of continuing product improvement, Elkay reserves the right to change product specifications without notice.

This specification describes an Elkay product with design, quality and functional benefits to the user. When making a comparison of other producers' offerings, be certain these features are not overlooked.