

SPECIFICATIONS

GENERAL

Highest quality. Sink bowls are seamlessly drawn of #18 gauge, type 304 (18-8) nickel bearing stainless steel. Self-rimming.

DESIGN FEATURES

Bowl Depths: 10" (Large bowl), 8" (Medium bowl), 5-1/8" (Small Bowl).

Finish: Exposed surfaces are hand blended to a lustrous highlighted Lasting Beauty satin finish.

Underside: Fully protected by heavy duty Sound Guard™ undercoating to prevent condensation and deaden sound.

OTHER

Drain Opening: 3-1/2".

Faucet Holes: Available with 0, 1, 2, 3, 4 or 5, 1-1/2" diameter faucet holes 4" centers.

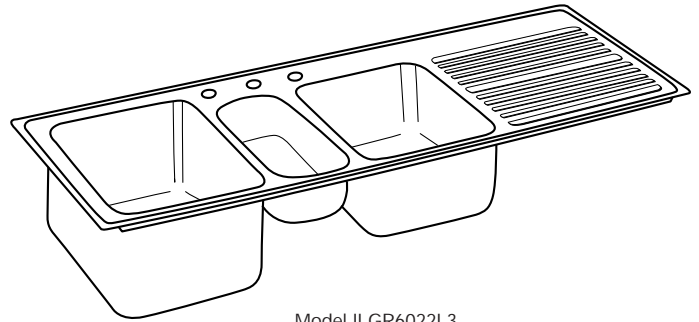
OPTIONAL ACCESSORIES

Rinsing Baskets: LKRB1611, LKRB1614, LKRB715 and LKERBSS.

Bottom Grids: LKOBG1814 and LKOBG1613.

Cutting Boards: CBS1316, CBS1418, CBS715, CBR1316 and CBR1418.

These sinks comply with ANSI Standard A112.19.3M.



Model ILGR6022L3

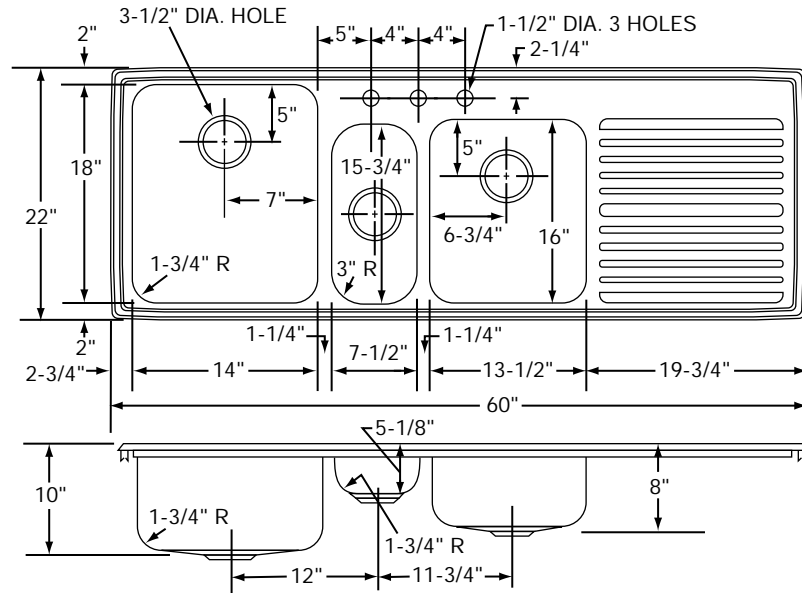


This sink is listed by the International Association of Plumbing and Mechanical Officials as meeting the requirements of the Uniform Plumbing Code.

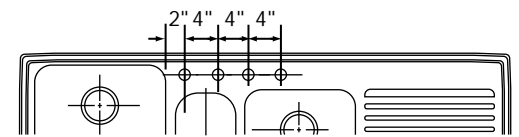
SINK DIMENSIONS (INCHES)*

Model Number	Overall		Inside Left Bowl			Inside Center Bowl			Inside Right Bowl			Ribbed Area Length	Cutout in Countertop (1 1/2" Radius Corners)		Ship. Wt. Lbs.
	L	W	L	W	D	L	W	D	L	W	D		L	W	
ILGR6022L	60	22	14	18	10	7 1/2	15 3/4	5 1/8	13 1/2	16	8	19 3/4	53 3/8	21 3/8	45
ILGR6022R	60	22	13 1/2	16	8	7 1/2	15 3/4	5 1/8	14	18	10	19 3/4	53 3/8	21 3/8	45

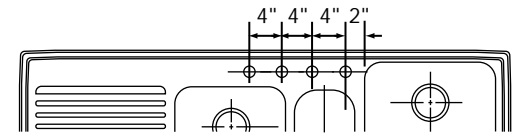
*Length is left to right. Width is front to back.



Model ILGR6022L3 Illustrated



Model ILGR6022L4 (4 HOLE)



Model ILGR6022R4 (4 HOLE)

ALL DIMENSIONS IN INCHES, TO CONVERT TO MILLIMETERS MULTIPLY BY 25.4.

In keeping with our policy of continuing product improvement, Elkay reserves the right to change product specifications without notice.

This specification describes an Elkay product with design, quality and functional benefits to the user. When making a comparison of other producers' offerings, be certain these features are not overlooked.