

ELKAY® SPECIFICATIONS

Celebrity® Double Bowl Sink Model GECR3321 – A.D.A. Compliant

GENERAL

Good quality Celebrity double bowl sink is formed of #20 gauge, type 304 (18-8) nickel bearing stainless steel. Top Mount.

DESIGN FEATURES

Bowl Depth: 5-3/8" (137mm).

Coved Corners: 3" (76mm) vertical radius, 2-1/4" (57mm) horizontal radius.

Bowl and Faucet Deck Recess: 3/16" (5mm) below outside edge of sink.

Finish: Exposed surfaces are polished to a Bright Satin Finish.

Underside: Fully undercoated to dampen sound and prevent condensation.

OTHER

Drain opening: 3-1/2" (89mm) as illustrated.



All sinks 6-1/2" or less in depth are compliant to ADA and ANSI/ICC A117.1 accessibility requirements when installed according to the requirements outlined in these standards.

OPTIONAL ACCESSORIES

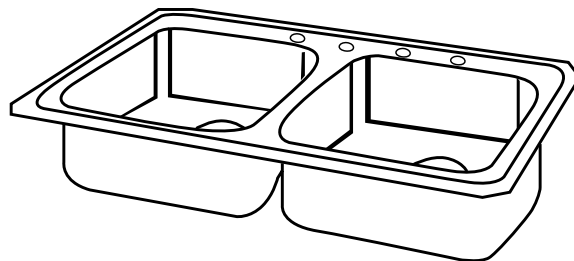
Cutting Board: CB1516.

Rinsing Baskets: LKWRB1316SS, LKWERBSS.

Utensil Caddy for Rinsing Basket: LKWUCSS.

Bottom Grid: LKWOBG1415SS.

Drain Fitting: LK35L.



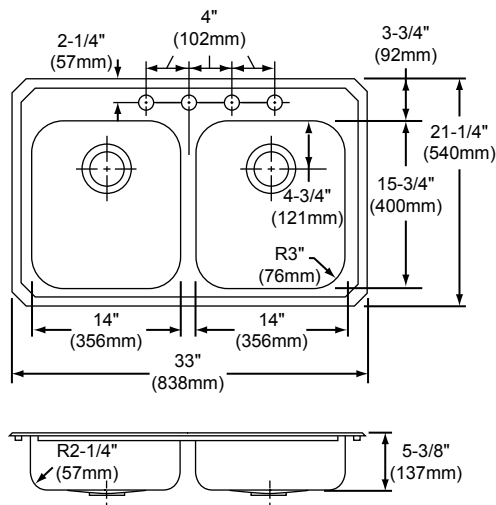
Model GECR33214



SINK DIMENSIONS*

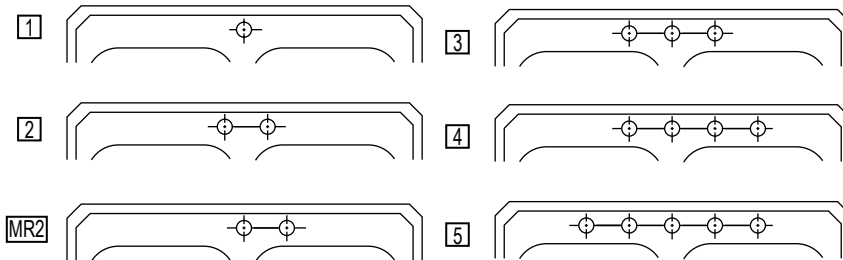
Model Number	Overall		Inside Bowl			Cutout in Countertop (1-1/2" (38mm) Radius Corners)		No. of 1/4" (32mm) or 1/2" (38mm) Dia. Faucet Holes 4" (102mm) centers	Minimum Cabinet Size
	L	W	L	W	D	L	W		
GECR3321	33 (838mm)	21 1/4 (540mm)	14 (356mm)	15 3/4 (400mm)	5 3/8 (137mm)	32 3/8 (822mm)	20 3/8 (524mm)	1, 2, MR2, 3, 4 or 5	36 (914mm)

* Length is left to right. Width is front to back.



Model GECR33214 Illustrated

Hole Drilling Configurations 1-1/2" (38mm) Diameter Faucet Holes on 4" (102mm) Centers



In keeping with our policy of continuing product improvement, Elkay reserves the right to change product specifications without notice. Please visit elkay.com for the most current version of Elkay product specification sheets.

This specification describes an Elkay product with design, quality, and functional benefits to the user. When making a comparison of other producers' offerings, be certain these features are not overlooked.