

**Lavatory Sink, Wall Mounted  
With Sensor Faucet, AC Powered  
Models ELV2219SACC, ELV2219SACMC  
and ELV2219SACTMC**



**SPECIFICATIONS**

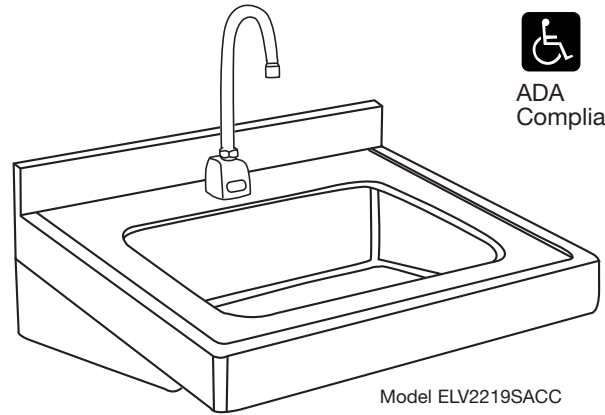
**GENERAL**

**ELV2219** #18 gauge, type 304 (18-8) stainless steel lavatory with 5/32" (4mm) raised rim and 2-1/2" (64mm) high back-splash. Compartment has 1-3/4" (44mm) radius vertical and horizontal coved corners. 2-1/2" (64mm) apron at front and both sides. Exposed surfaces are hand blended to a uniform satin luster finish. Rear centered outlet. Drain opening 1-5/8" (41mm). Underside is sound deadened. Furnished with integral stainless steel support brackets and separate wall hanger. Meets ADA requirements.

(CHECK MODEL SPECIFIED)

MODEL	FAUCET	MIXING VALVE
<input type="checkbox"/> ELV2219SACC	LK721AC	NONE
<input type="checkbox"/> ELV2219SACMC	LK721AC	LK724
<input type="checkbox"/> ELV2219SACTMC	LK721AC	LK723

**LK721AC** Sensor-operated, non-mixing (tempered water), deck-mounted gooseneck faucet with adjustable sensor eyes. A continuous beam is emitted from sensor. The sensor faucet is activated by user placing hands under the spout. Tempered water will flow as long as hands remain within sensor range. When hands are removed, the water stops automatically based on shut off delay settings. The sensor then resets and is ready for the next user. AC powered, chrome plated-solid brass body construction and 12-1/2" (318mm) high from deck to top of spout, 8-1/4" (210mm) from deck to spout outlet, 5 3/8" (137mm) reach C.P. spout with 2.0 gpm laminar flow control on spout end. Includes vandal-resistant, water-resistant sensor control module with armored vandal-resistant control and power cables, 12V DC plug-in voltage adapter, slow-closing piston operated solenoid valve, in-line filter with clean out trap,



  
ADA  
Compliant

Model ELV2219SACC

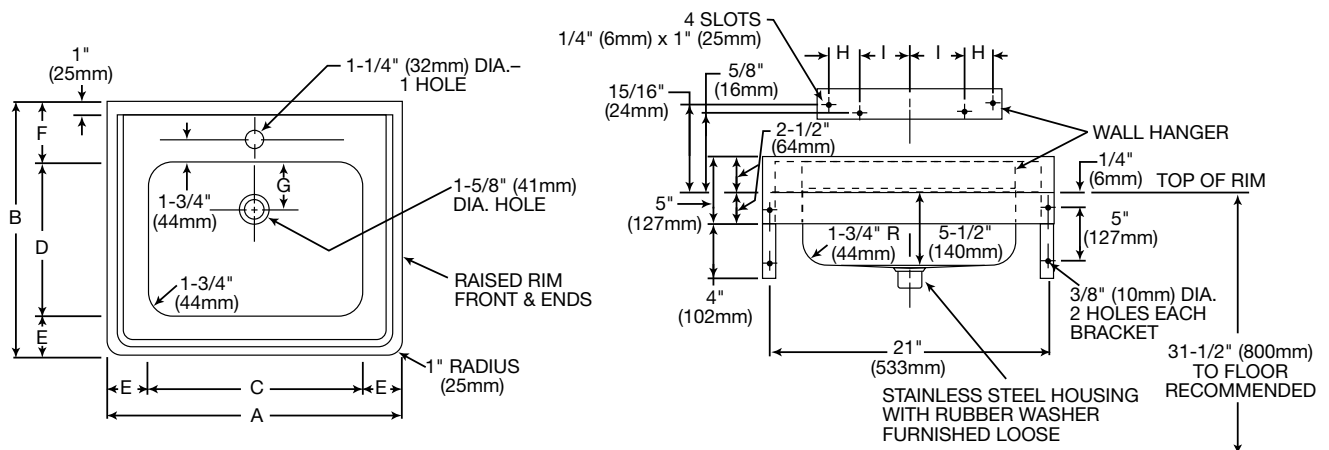
and 3/8" (10mm) stainless steel braided 12" (305mm) supply line. Control circuit is solid state, has adjustable sensor range (6" [152mm] preset to 30" [762mm]), shut off delay preset at 1 second and field adjustable to 2, 4 or 8 seconds, and automatic time-out feature (to prevent sink overflow) is preset at 0 seconds and is field adjustable to 15, 30 or 60 seconds.

**LK723** Anti-scald thermostatic mixing valve with nickel-plated brass body 1/2" (13mm) SWT inlets and outlet connections, check valves on inlets and a mixed temperature range of 80°-120°F. Certified under ASSE1016.

**LK724** Mechanical mixing valve with C.P. brass body, 3/8" (10mm) compression inlets and outlet connections, and check valves on inlets.

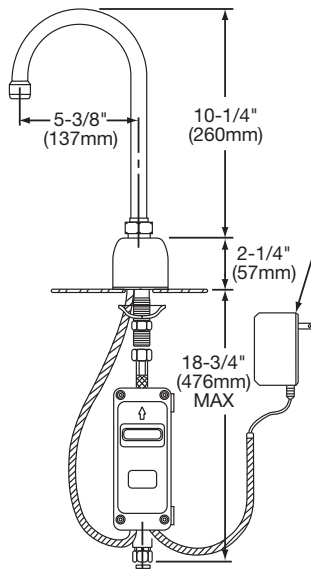
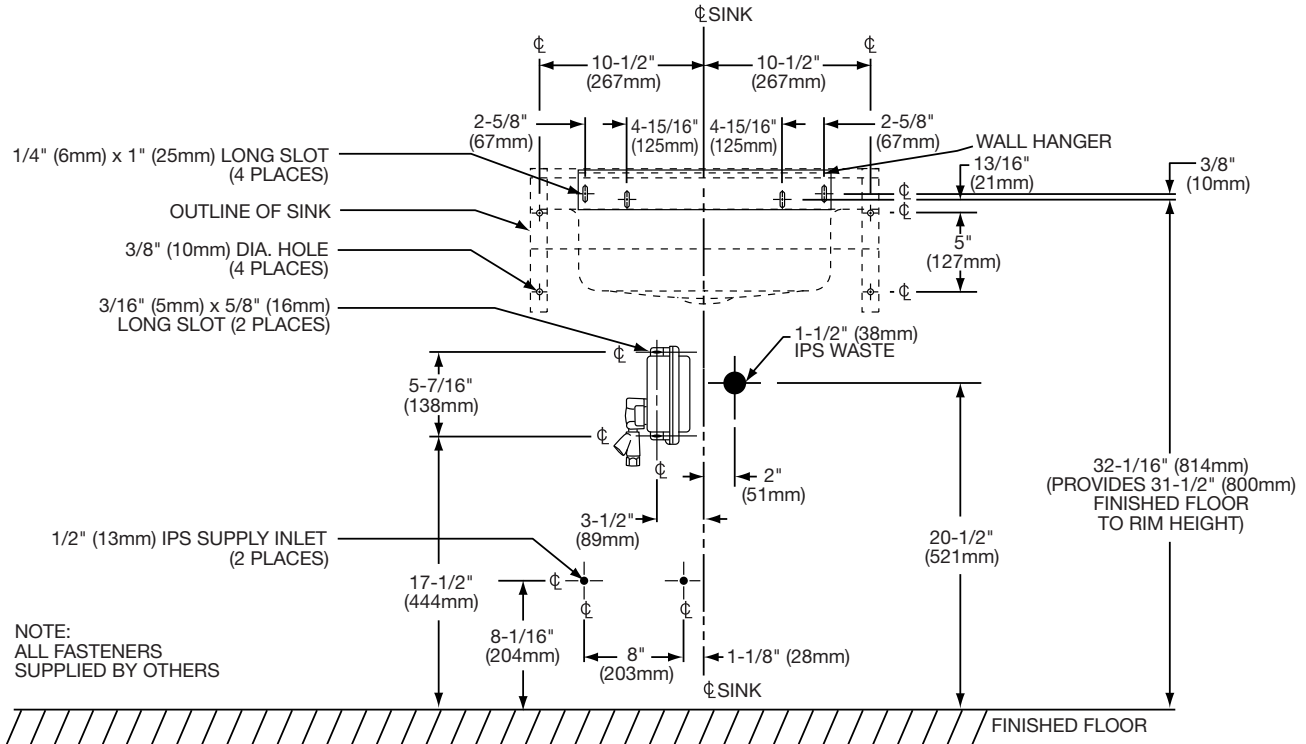
**DIMENSIONS**

Model Number	A		B		C		D		E		F		G		H		I	
	in.	mm	in.	mm	in.	mm	in.	mm	in.	mm	in.	mm	in.	mm	in.	mm	in.	mm
ELV2219	22	559	19	483	16	406	11 1/2	292	3	76	4 1/2	114	3 1/2	89	2 5/8	67	4 15/16	125

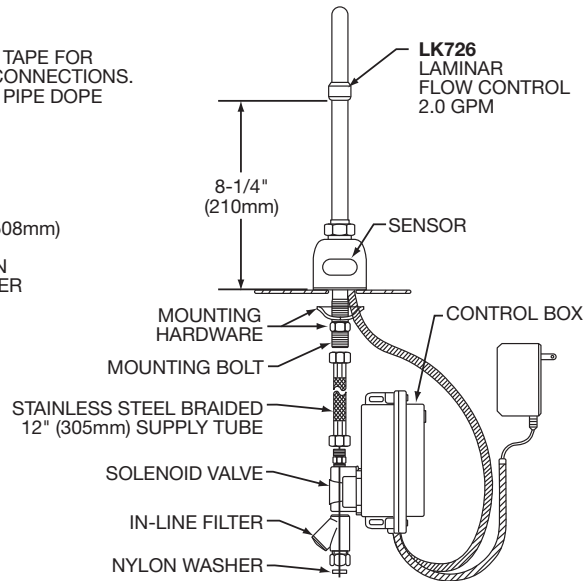


*In keeping with our policy of continuing product improvement, Elkay reserves the right to change product specifications without notice.*

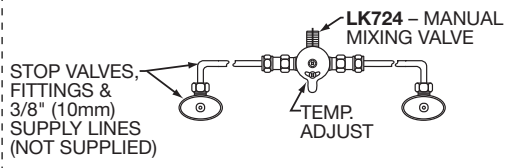
**ROUGH-IN DIMENSIONS**



NOTE:  
 USE TEFLON TAPE FOR  
 ALL WATER CONNECTIONS.  
 DO NOT USE PIPE DOPE



**FOR ELV2219SACMC**



**FOR ELV2219SACTMC**

