

**Lustertone Undermount Single Bowl Sink
Model ELU-2118 and ELUH-2118 Series**



SPECIFICATIONS

GENERAL

Highest quality sink seamlessly drawn of #18 gauge, type 302 (18-8) nickel bearing stainless steel. Underside of sink is fully protected by heavy duty Sound Guard undercoating. Designed to accept waste disposer.

DESIGN FEATURES

Bowl Depth: 7-1/2" (ELU(H)-2118), 10" (ELUH(H)-2118-10).
Finish: Exposed surfaces are hand blended to a lustrous highlighted satin finish. ELUH models have highlighted inside top bowl radius.
Underside: Underside of sink is fully protected by heavy duty Sound Guard undercoating to prevent condensation and deaden sound.

OTHER

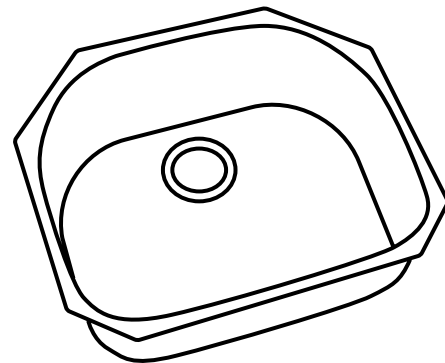
Drain opening: 3-1/2".
Note: All Elkay custom design undermount sinks are designed to affix easily to the underside of any solid surface countertop.
Installation: See illustrated profile below.

These sinks comply with ANSI Standard A112.19.3M.

SINK DIMENSIONS

Model Number	DIMENSIONS IN INCHES Length is left to right. Width is front to back.					Cutout in Countertop See Template*	Ship. Wt. Lbs.
	Overall		Inside Each Bowl				
	L	W	L	W	D		
ELU-2118	22 ¹ / ₂	20 ¹ / ₈	21	18 ⁵ / ₈	7 ¹ / ₂	See Template*	14
ELU-2118-10	22 ¹ / ₂	20 ¹ / ₈	21	18 ⁵ / ₈	10		14
ELUH-2118	23 ¹ / ₂	21 ¹ / ₈	21	18 ⁵ / ₈	7 ¹ / ₂		14
ELUH-2118-10	23 ¹ / ₂	21 ¹ / ₈	21	18 ⁵ / ₈	10		14

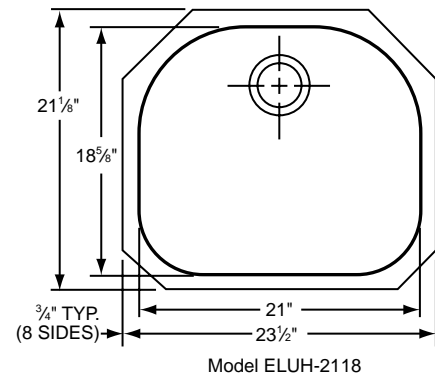
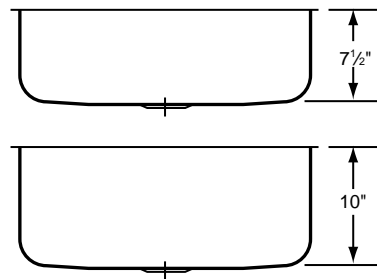
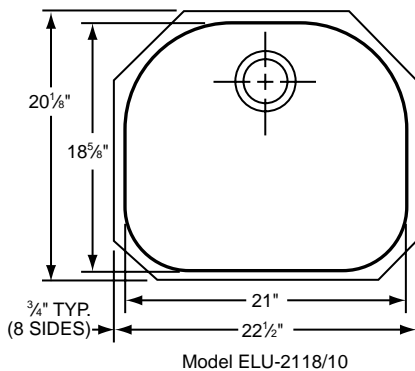
*Template and countertop mounting clips are packed with every sink.



Model ELU-2118 Shown
Note: Drain not included.
Available as accessory item.

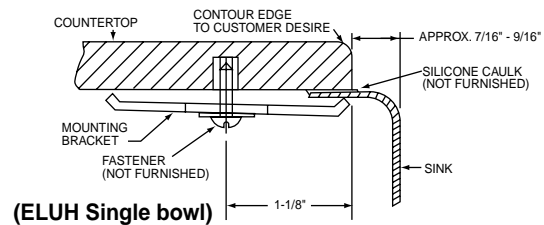
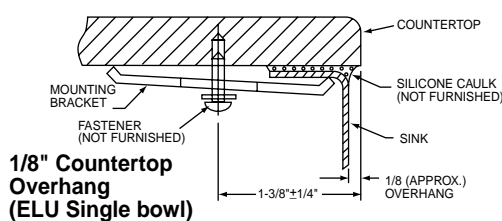
OPTIONAL ACCESSORIES

Rinsing Baskets: LKRB-1614, LKERB-SS, VB-1816 and DB-1420.
Cutting Board: CBT-2213.



Installation Profile of ELU and ELUH Single Bowl Models

The template provided with each ELU/ELUH sink provides the only type of installation recommended by Elkay.



ALL DIMENSIONS IN INCHES. TO CONVERT TO MILLIMETERS MULTIPLY BY 25.4.

In keeping with our policy of continuing product improvement, Elkay reserves the right to change product specifications without notice.

This specification describes an Elkay product with design, quality and functional benefits to the user. When making a comparison of other producers' offerings, be certain these features are not overlooked.