

IMPORTANT END USER INFORMATION

Care and Cleaning Instructions

- 1) Never use any cleaner or cleanser based cleaning material on this product.
- 2) Keep the faucet dry! While drying your hands, dry the faucet as well. The water in certain parts of the world can be very caustic. Any standing water around the faucet could damage the intrinsic coating; remove it as soon as possible.

Discover why the professional's choice for sinks and faucets is also the right choice to take care of all of your home's stainless surfaces and accessories. Visit www.byelkay.com for more information or for a complete list of all domestic showrooms in your area visit www.elkayusa.com, where to buy.

ELKAY LIMITED FIVE YEAR FAUCET WARRANTY ON COMMERCIAL FAUCETS

Limited Five Year Functional and Finish Warranty

Elkay warrants to the original consumer purchaser that the Elkay faucet will be free from defects in material and workmanship for Five Years from the original installation date. Elkay will, at its option, supply replacement parts (or if no longer available a comparable product) if the faucet fails due to a defect in material or workmanship. This warranty does not apply in the event of produce surface damage caused by abuse, misuse or improper care and maintenance. This warranty excludes damage caused by harsh or abrasive cleaners and/or materials. This warranty includes all industrial, commercial and business use. Product replacement does not include transportation cost or labor installation cost. Elkay reserves the right to examine product in question and its installation prior to replacement.

OTHER WARRANTY CONDITIONS ON FAUCETS

Our warranty does not cover product failure or damage caused by abusive treatment, misuse, environmental factors, improper care and cleaning, or damage due to handling or faulty installations. This warranty is extended only to the original consumer purchaser of the product. This warranty does not cover shipping costs, labor costs, or any other charges for such items as installation or replacement of the sink, diagnosis or replacement of any faucet or component part, or any other expense or loss.

ALL INCIDENTAL OR CONSEQUENTIAL DAMAGES ARE SPECIFICALLY EXCLUDED. NO ADDITIONAL WARRANTIES, EXPRESS OR IMPLIED ARE GIVEN. ANY IMPLIED WARRANTY, INCLUDING ONE OF MERCHANTABILITY OR FITNESS FOR A PARTICULAR PURPOSE, IS LIMITED TO THE DURATION OF THIS WRITTEN WARRANTY.

Some states do not allow the exclusion or limitation of incidental or consequential damages or limitations on how long an implied warranty lasts, so the above limitations or exclusions may not apply to you.

This warranty gives you specific legal rights, and you may also have other rights which vary from state to state.

TO OBTAIN SERVICE UNDER WARRANTY

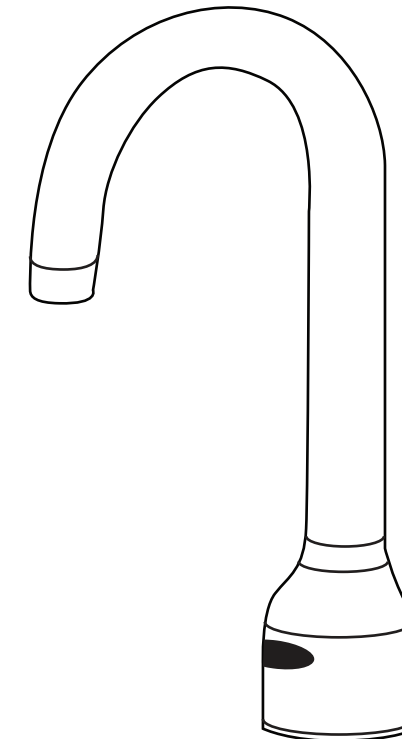
1. Write to: Elkay
Attention: Consumer Services
2222 Camden Court
Oak Brook, IL 60523
2. Include a letter containing the following information:
 - a. Date of purchase and installation
 - b. Description of nature of defect
 - c. Model number or description of model and/or component part if possible.



commercial
products

Installation Instructions for:

Elkay® Electronic Sensor Activated Deck Mounted Lavatory Faucet LKB721C and LKB721CNC (Battery / AC powered)



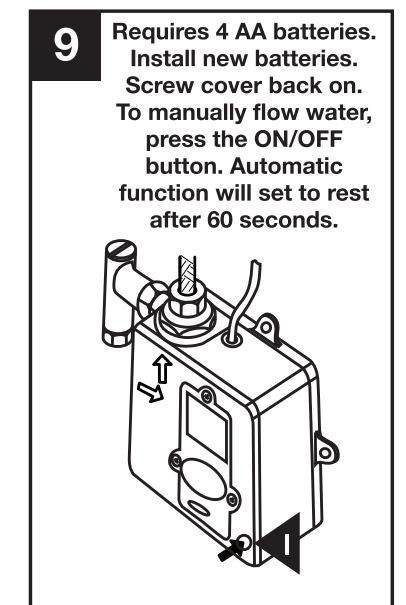
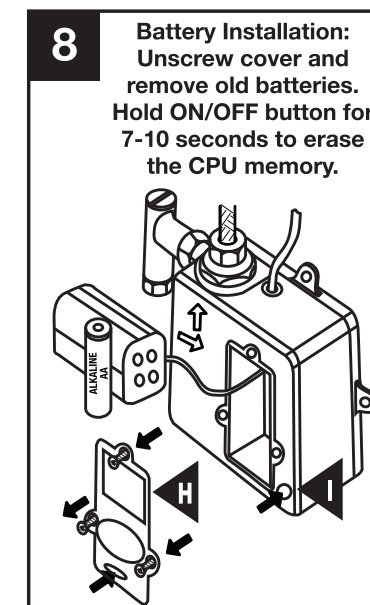
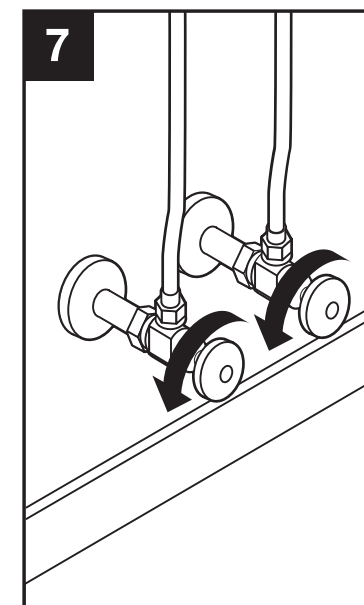
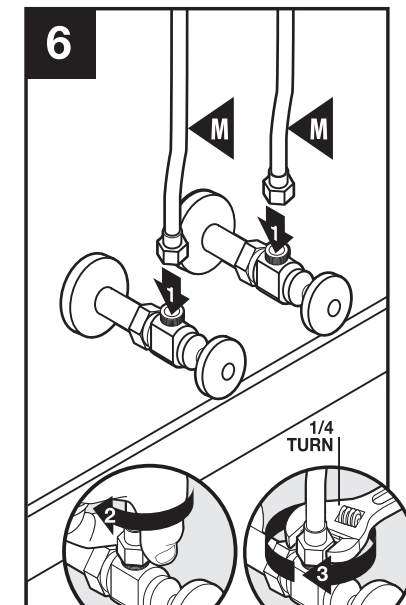
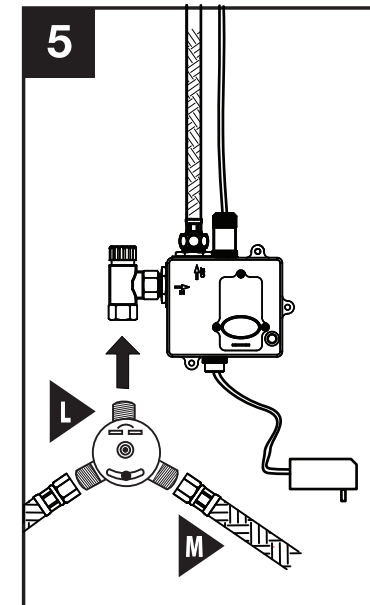
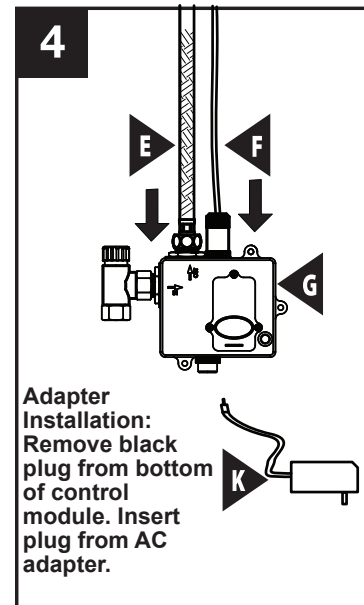
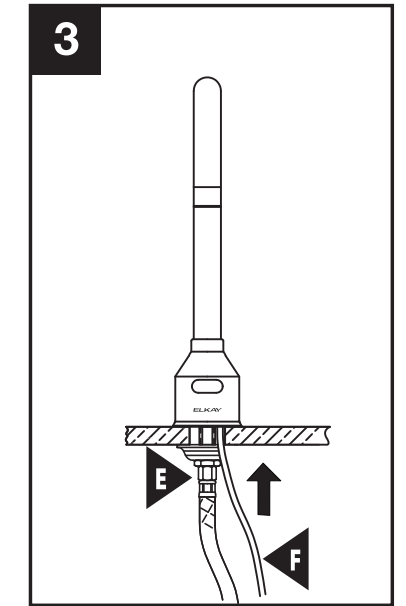
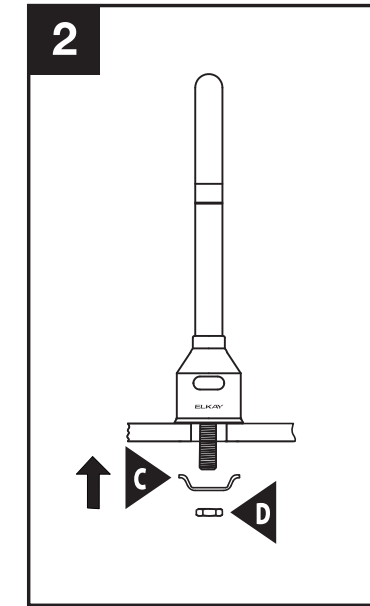
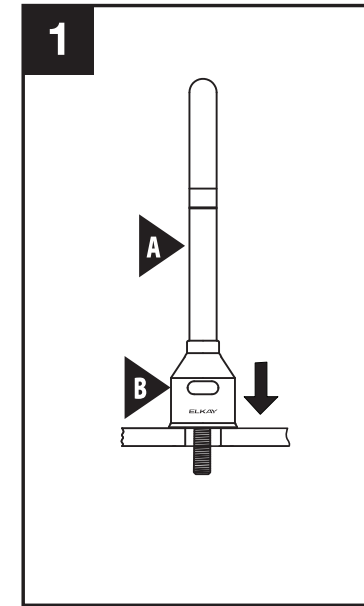
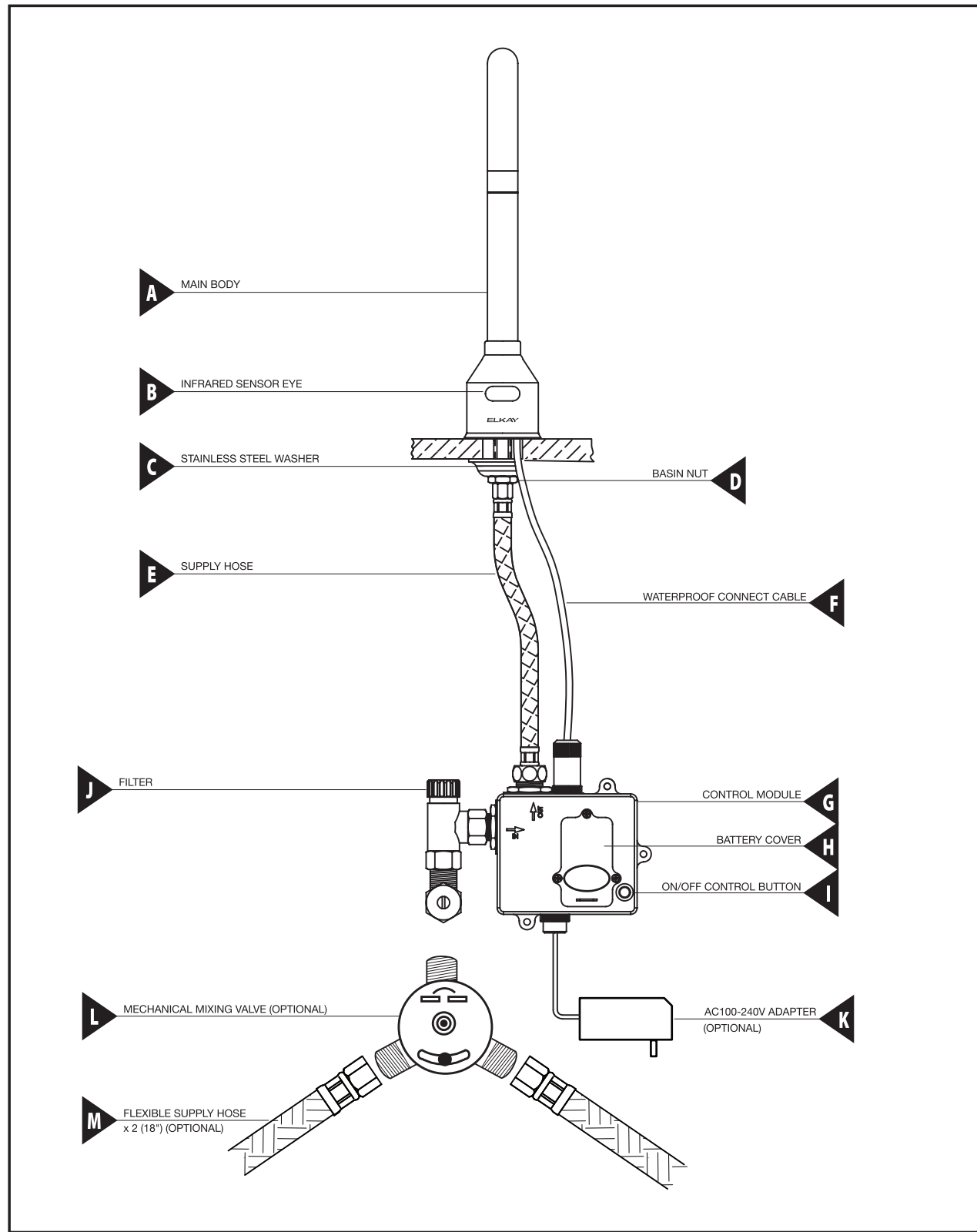
Product Specifications

Power: (a) DC – Alkaline AA Batteries (4); (b) AC/DC alternatively
Water Supply pipe size: NPSM 1/2-1/4
Working Pressure: 2.8 – 213 psi
Ambient Temp. Range: 36°F – 194°F
Sensing Distance: 7/8" – 6-3/4"
Sensing Range Setup: Digital
Response Time: Default 0.3 sec
Off Delay Time: Default 1 sec
Fresh Battery Life Cycle: 400,000
Weak Power Indicator: Steady red LED

Sensor Range Setup (Default range is preset at 5-1/2")

NOTE – Do not attempt to open control module to adjust sensing range

1. Press and hold On/Off button for 5-7 seconds. Red LED on.
2. Release button. Red LED off.
3. Place hand 2-3" from spout. Wait 5-10 seconds until red LED flashes.
4. Place hand at desired sensor distance. Hold hand in place and press the On/Off button.



Tools:

