

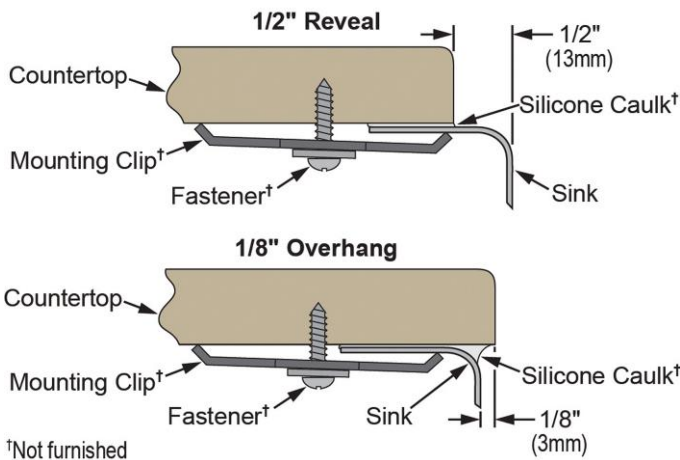
**PRODUCT SPECIFICATIONS**

The Mystic® (Lustertone®) Stainless Steel Single Bowl Undermount Sink Kit. Overall dimensions are 18-3/8" x 18-3/8" x 8". Sink is manufactured from 18 gauge 304 Stainless Steel with a Lustrous Highlighted Satin finish, Center drain placement and SoundGuard®.

<b>Installation Type:</b>	Undermount
<b>Material:</b>	304 Stainless Steel
<b>Finish:</b>	Lustrous Highlighted Satin
<b>Gauge:</b>	18
<b>Sound Deadening:</b>	SoundGuard®
<b>Number of Bowls:</b>	1
<b>Sink Dimensions:</b>	18-3/8" x 18-3/8" x 8"
<b>Bowl 1 Dimensions:</b>	16" x 16" x 8"
<b>Drain Size:</b>	3-1/2" (89mm)
<b>Drain Location:</b>	Center
<b>Minimum Cabinet Size:</b>	24"
<b>Mounting Hardware:</b>	Undermount brackets sold separately
<b>Template Included:</b>	Yes
<b>Cutout Template #:</b>	<a href="#">1000001418</a>

Template is available for download at [elkay.com](http://elkay.com)

**Installation Profile:**



†Not furnished  
Designed to affix to the underside of any solid surface countertop.



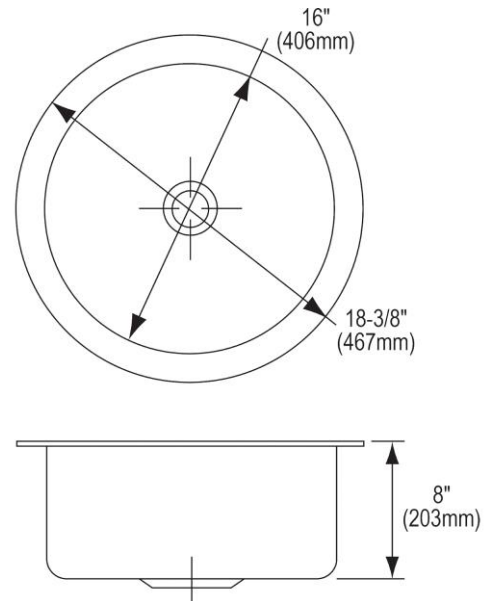
**Included with Product:** ELUH16FB sink,  
LKWRBG16SS bottom grid,  
LK99 drain

AMERICAN PRIDE. A LIFETIME TRADITION.  
Like your family, the Elkay family has values and traditions that endure. For almost a century, Elkay has been a family-owned and operated company, providing thousands of jobs that support our families and communities.



**Product Compliance:** BUY AMERICAN ACT  
ASME A112.19.3/CSA B45.4  
Accessory: ASME A112.18.2/CSA B125.2

[Clean and Care Manual \(PDF\)](#)  
[Installation Instructions \(PDF\) - 74180129](#)  
[Installation Instructions \(PDF\) - 74210010\\_Drain](#)  
[Limited Lifetime Warranty \(PDF\)](#)



PART: \_\_\_\_\_ QTY: \_\_\_\_\_  
PROJECT: \_\_\_\_\_  
CONTACT: \_\_\_\_\_  
DATE: \_\_\_\_\_  
NOTES: \_\_\_\_\_  
APPROVAL: \_\_\_\_\_

In keeping with our policy of continuing product improvement, Elkay reserves the right to change product specifications without notice. Please visit [elkay.com](http://elkay.com) for the most current version of Elkay product specification sheets. This specification describes an Elkay product with design, quality, and functional benefits to the user. When making a comparison of other producers' offerings, be certain these features are not overlooked.

**OPTIONAL ACCESSORIES**

<b>Bottom Grid:</b>	LKWRBG12SS
<b>Faucet:</b>	LKMY1042
<b>Hardware:</b>	LKUCLIP8
<b>Rinsing Basket:</b>	LKWRB12SS, LKWRBG16SS
<b>Sinkmate:</b>	LKSM17, LKSMHOOK, LKSMSPONGE, LKSMHSL
<b>Soap Dispenser:</b>	LKMY1054

*In keeping with our policy of continuing product improvement, Elkay reserves the right to change product specifications without notice. Please visit [elkay.com](http://elkay.com) for the most current version of Elkay product specification sheets. This specification describes an Elkay product with design, quality, and functional benefits to the user. When making a comparison of other producers' offerings, be certain these features are not overlooked.*