

ELKAY[®]

SPECIFICATIONS

Gourmet e-dock™ Undermount Sink Models ELUH3120LEK and ELUH3120REK

GENERAL

Highest quality sink formed of #18 (1.2mm) gauge, type 304 (18-8) nickel bearing stainless steel with e-dock. Undermount.

DESIGN FEATURES

Bowl Depth: 7-7/8" (200mm) Small Bowl, 9-7/8" (251mm) Large Bowl

Coved Corners: 1-3/4" (44mm) vertical and horizontal radius.

Finish: Exposed surfaces are hand blended to a Lustrous Highlighted Satin Finish.

Underside: Fully protected by Sound Guard[®] undercoating to reduce condensation and dampen sound.

e-dock sinks have been designed to allow stainless steel accessories to be magnetically positioned on any of the four sidewalls of the sink.

Each e-dock sink is shipped with the stainless steel hook accessory (LKEKHOOK). Additional e-dock accessories are available.

Patent Pending

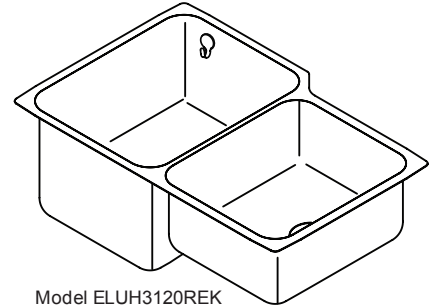
OTHER

Drain opening: 3-1/2" (89mm)

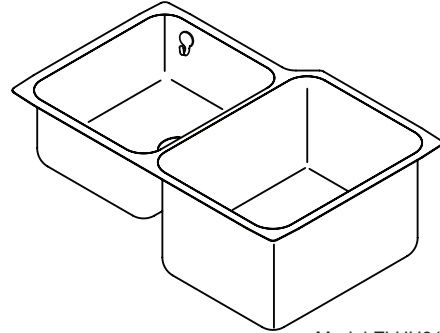
Suffix L (left) or R (right) denotes location of the small bowl.

NOTE: All Elkay undermount sinks are designed to affix to the underside of any solid surface countertop.

Sink complies with ASME A112.19.3-2008 / CSA B45.4-08.



Model ELUH3120REK



Model ELUH3120LEK

OPTIONAL ACCESSORIES

Bottom Grids: LKWOBG1418SS (large bowl), LKWOBG1316SS (small bowl)

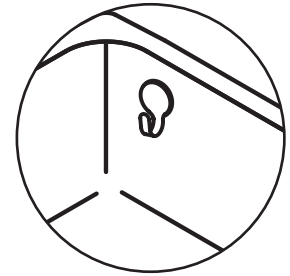
Cutting Boards: CBR1418, CBS1418 (large bowl), CB1613, CB1713, CBR1316, CBS1316 (small bowl).

Drain: LK99.

Mounting Clip: LKUCLIP8 (2 packages required).

Rinsing Baskets: LKWRB1418SS (large bowl), LKWRB1316SS (small bowl), LKWERBSS (either bowl).

Utensil Caddy for Rinsing Basket: LKWUCSS.



Included

e-dock ACCESSORIES*

Model Number	Description	Overall			Material
		L	W	D	
LKEKSPONGE	Sponge Holder	3-1/2 (89mm)	1-1/4 (32mm)	3-1/8 (79mm)	Stainless Steel
LKEKLEDGE	Ledge	2-5/8 (67mm)	3-1/2 (89mm)	3-7/8 (98mm)	Stainless Steel
LKEKHOOK	Hook	1-3/4 (44mm)	1-1/8 (29mm)	2-7/16 (62mm)	Stainless Steel
LKEKUTENSIL	Utensil Holder	3 (76mm)	2-1/2 (51mm)	5-3/8 (137mm)	Stainless Steel
LKDEK35	Disposal Cover	2-11/16 (68mm)	2-11/16 (68mm)	1-1/4 (32mm)	Stainless Steel

*Furnished with magnet (LKEKMAGNET)



LKEKSPONGE



LKEKLEDGE



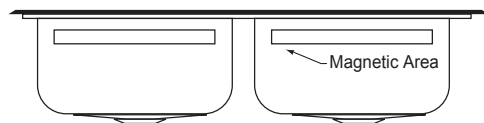
LKEKHOOK



LKEKUTENSIL



LKDEK35



All four sides of sink

Warning: This product contains magnets. Keep away from credit cards, computer hard drives, magnetic I.D. cards, and other magnetic media. Magnets may interfere with medical devices such as pacemakers. Consult your physician before use. Pinch hazard - magnets can jump out of your hands and snap together from a surprising distance before you realize what's happening.

In keeping with our policy of continuing product improvement, Elkay reserves the right to change product specifications without notice. Please visit elkayusa.com for most current version of Elkay product specification sheets.

This specification describes an Elkay product with design, quality and functional benefits to the user. When making a comparison of other producers' offerings, be certain these features are not overlooked.

Elkay

elkayusa.com

2222 Camden Court
Oak Brook, IL 60523

Printed in U.S.A.
©2011 Elkay

(Rev. 07/11) 1-442A

ELKAY[®]

SPECIFICATIONS

Gourmet e-dock™ Undermount Sink

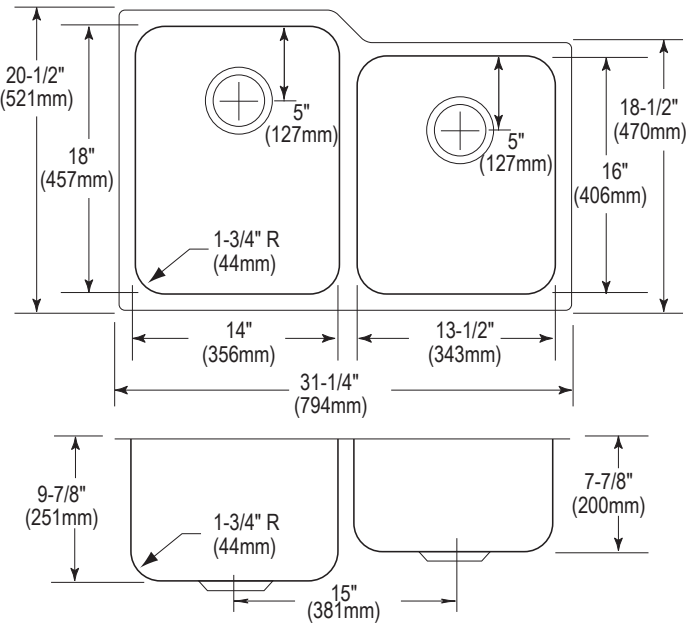
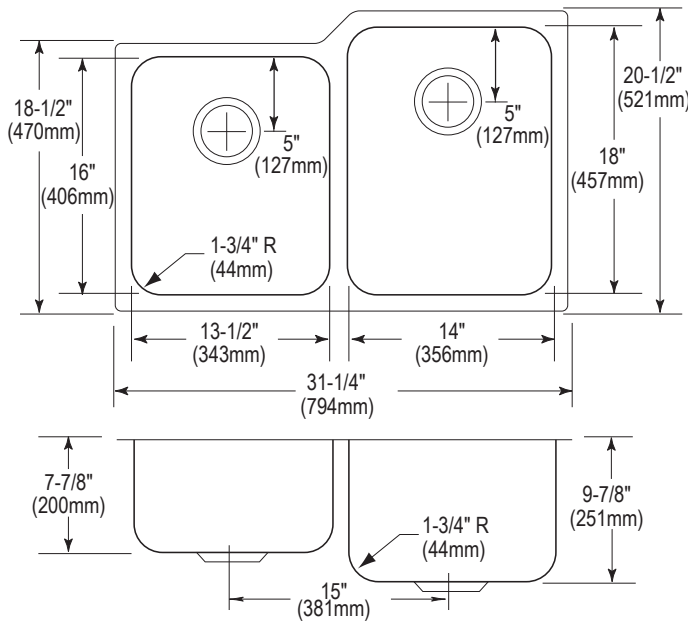
Models ELUH3120LEK and ELUH3120REK

SINK DIMENSIONS*

Model Number	Overall		Inside Left Bowl			Inside Right Bowl			Cutout in Countertop	Minimum Cabinet Size
	L	W	L	W	D	L	W	D		
ELUH3120LEK	31-1/4 (794mm)	20-1/2 (521mm)	13-1/2 (343mm)	16 (406mm)	7-7/8 (200mm)	14 (356mm)	18 (457mm)	9-7/8 (251mm)	See Template**	36 (914mm)
ELUH3120REK	31-1/4 (794mm)	20-1/2 (521mm)	14 (356mm)	18 (457mm)	9-7/8 (251mm)	13 1/2 (343mm)	16 (406mm)	7-7/8 (200mm)		36 (914mm)

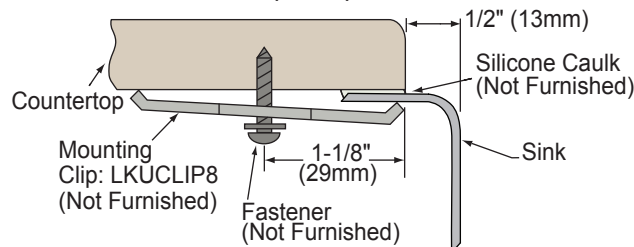


*Length is left to right. Width is front to back.
 **Template # 74180233 is packed with every sink.



Installation Profile

1/2" (13mm) Reveal



Designed to affix to the underside of any solid surface countertop.

In keeping with our policy of continuing product improvement, Elkay reserves the right to change product specifications without notice. Please visit elkayusa.com for most current version of Elkay product specification sheets.

This specification describes an Elkay product with design, quality and functional benefits to the user. When making a comparison of other producers' offerings, be certain these features are not overlooked.