

PRODUCT SPECIFICATIONS

Gourmet (Lustertone®) Stainless Steel Double Bowl Undermount Sink Kit. Overall dimensions are 31-1/4" x 20-1/2" x 9-7/8". Sink is manufactured from 18 gauge 304 Stainless Steel with a Lustrous Highlighted Satin finish, Rear Center drain placement and SoundGuard®.

Installation Type:	Undermount
Material:	304 Stainless Steel
Special Features:	e-dock
Finish:	Lustrous Highlighted Satin
Gauge:	18
Sound Deadening:	SoundGuard®
Number of Bowls:	2
Sink Dimensions:	31-1/4" x 20-1/2" x 9-7/8"
Bowl 1 Dimensions:	14" x 18" x 9-7/8"
Bowl 2 Dimensions:	13-1/2" x 16" x 7-7/8"
Drain Size:	3-1/2" (89mm)
Drain Location:	Rear Center
Minimum Cabinet Size:	36"
Mounting Hardware:	Undermount brackets sold separately
Template Included:	Yes
Cutout Template #:	1000001389

Template is available for download at [elkay.com](#)

e-dock sinks have been designed to allow stainless steel accessories to be magnetically positioned on any of the four side-walls of the sink. Each e-dock sink is shipped with the stainless steel hook accessory (LKEKHOOK). Additional e-dock accessories are available. **Patent Pending**

Warning: This product contains magnets. Keep away from credit cards, computer hard drives, magnetic I.D. cards, and other magnetic media. Magnets may interfere with medical devices such as pacemakers. Consult your physician before use. Pinch hazard - magnets can jump out of your hands and snap together from a surprising distance before you realize what's happening.



Included with Product: One LKEKHOOK eDock Hook

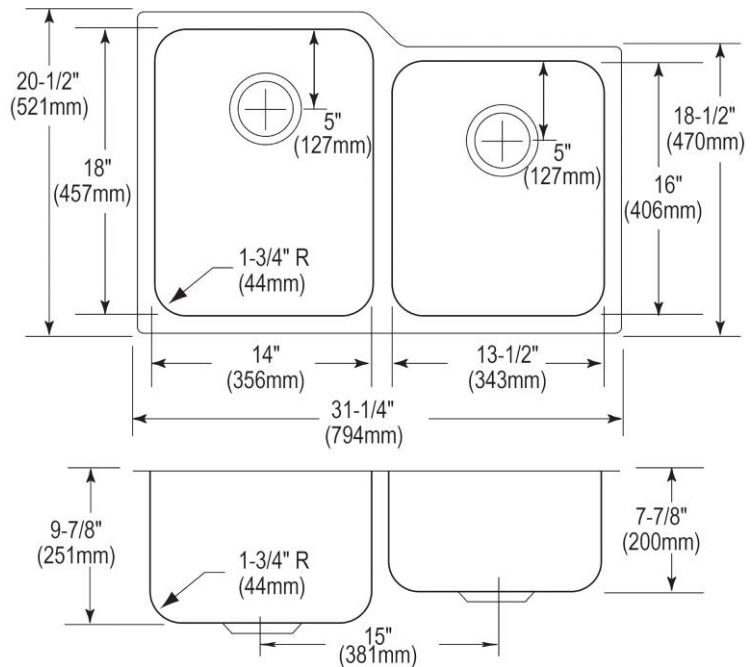
AMERICAN PRIDE. A LIFETIME TRADITION. Like your family, the Elkay family has values and traditions that endure. For almost a century, Elkay has been a family-owned and operated company, providing thousands of jobs that support our families and communities.



Product Compliance: BUY AMERICAN ACT
ASME A112.19.3/CSA B45.4

[Clean and Care Manual \(PDF\)](#)
[Installation Instructions \(PDF\)](#)
[Limited Lifetime Warranty \(PDF\)](#)

Similar models are available with:
small bowl on the opposite side



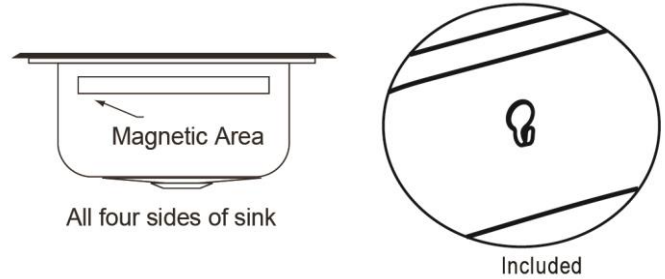
PART: _____ QTY: _____
 PROJECT: _____
 CONTACT: _____
 DATE: _____
 NOTES: _____
 APPROVAL: _____

In keeping with our policy of continuing product improvement, Elkay reserves the right to change product specifications without notice. Please visit [elkay.com](#) for the most current version of Elkay product specification sheets. This specification describes an Elkay product with design, quality, and functional benefits to the user. When making a comparison of other producers' offerings, be certain these features are not overlooked.

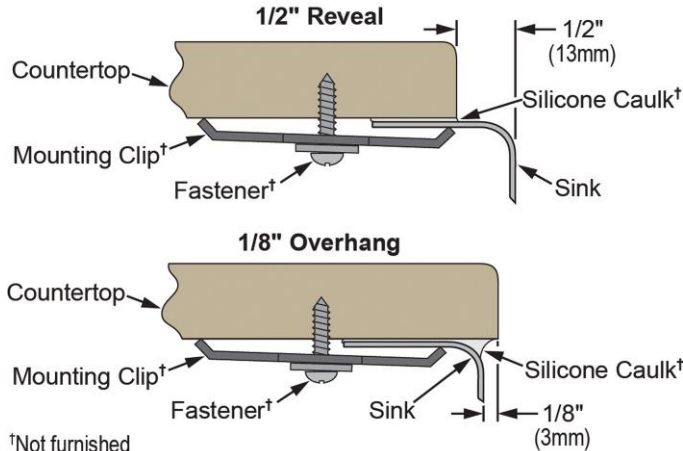
e-dock ACCESSORIES*

Model Number	Description	Overall			Material
		L	W	D	
LKEKSPONGE	Sponge Holder	3-1/2 (89mm)	1-1/4 (32mm)	3-1/8 (79mm)	Stainless Steel
LKEKLEDGE	Ledge	2-5/8 (67mm)	3-1/2 (89mm)	3-7/8 (98mm)	Stainless Steel
LKEKHOOK	Hook	1-3/4 (44mm)	1-1/8 (29mm)	2-7/16 (62mm)	Stainless Steel
LKEKUTENSIL	Utensil Holder	3 (76mm)	2-1/2 (51mm)	5-3/8 (137mm)	Stainless Steel
LKDEK35	Disposal Cover	2-11/16 (68mm)	2-11/16 (68mm)	1-1/4 (32mm)	Stainless Steel

*Furnished with magnet (LKEKMAGNET)



Installation Profile:



†Not furnished

Designed to affix to the underside of any solid surface countertop.

OPTIONAL ACCESSORIES

Bottom Grid:	LKWOBG1418SS (large bowl), LKWOBG1316SS (small bowl)
Cutting Board:	CBR1418*, CBS1418*, CB1613*, CB1713*, CBR1316*, CBS1316*
Drain:	LK99
Faucet:	LKGT1041, LKGT2041
Hardware:	LKUCLIP8 (2 Required)
Rinsing Basket:	LKWRB1418SS, LKWERBSS, LKWRB1316SS
Sinkmate:	LKDEK35, LKEKLEDGE, LKEKSPONGE, LKEKUTENSIL
Soap Dispenser:	LKGT1054

* 1/2" sink reveal required for proper fit.

In keeping with our policy of continuing product improvement, Elkay reserves the right to change product specifications without notice. Please visit elkay.com for the most current version of Elkay product specification sheets. This specification describes an Elkay product with design, quality, and functional benefits to the user. When making a comparison of other producers' offerings, be certain these features are not overlooked.