

SPECIFICATIONS

GENERAL

Highest quality sink seamlessly drawn of #18 gauge, type 302 (18-8) nickel bearing stainless steel. Underside of sink is fully protected by heavy duty Sound Guard undercoating. Designed to accept waste disposer.

DESIGN FEATURES

Bowl Depth: 7-7/8".

Finish: Exposed surfaces are hand blended to a lustrous high-lighted satin finish. ELUH-1316 has highlighted inside top bowl radius.

Underside: Fully protected by heavy duty Sound Guard undercoating to prevent condensation and deaden sound.

OTHER

Drain opening: 3-1/2".

Note: All Elkay custom design undermount sinks are designed to affix easily to the underside of any solid surface countertop.

Installation: See illustrated profile below.

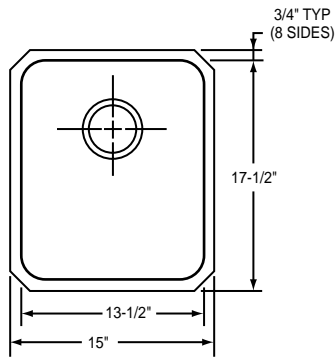
SINK DIMENSIONS

Model Number	DIMENSIONS IN INCHES					Cutout in Countertop	Ship. Wt. Lbs.
	Length is left to right. Width is front to back.						
	Overall		Inside Each Bowl				
	L	W	L	W	D	See Template*	
ELU-1316	15	17 1/2	13 1/2	16	7 7/8		
ELUH-1316	16	18 1/2	13 1/2	16	7 7/8		11

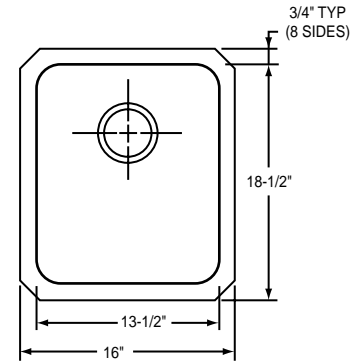
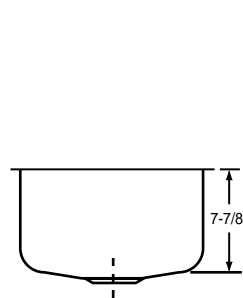
*Template and countertop mounting clips are packed with every sink.



Model ELU-1316 Shown
Note: Drain not included.
Available as accessory item.



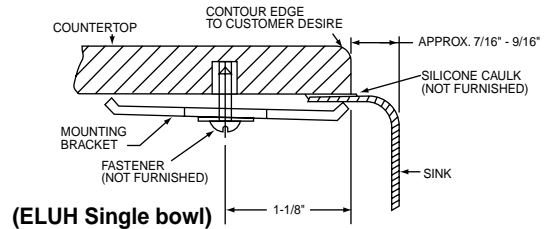
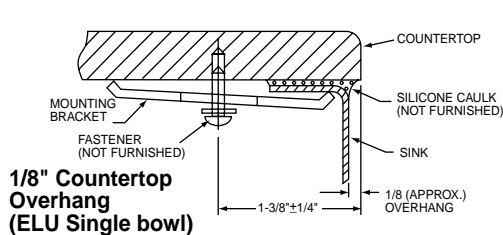
ELU-1316 Illustrated



ELUH-1316 Illustrated

Installation Profile of ELU and ELUH Single Bowl Models

The template provided with each ELU/ELUH sink provides the only type of installation recommended by Elkay.



ALL DIMENSIONS IN INCHES, TO CONVERT TO MILLIMETERS MULTIPLY BY 25.4.

In keeping with our policy of continuing product improvement, Elkay reserves the right to change product specifications without notice.

This specification describes an Elkay product with design, quality and functional benefits to the user. When making a comparison of other producers' offerings, be certain these features are not overlooked.