

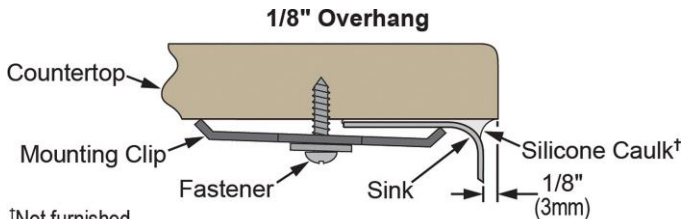
PRODUCT SPECIFICATIONS

Avado™ Stainless Steel Double Bowl Undermount Sink. Overall dimensions are 31-1/4" x 20-1/2" x 8". Sink is manufactured from 16 gauge 304 Stainless Steel with a Polished Satin finish, Rear Center drain placement and SoundGuard®.

| | |
|------------------------------|----------------------------|
| Installation Type: | Undermount |
| Material: | 304 Stainless Steel |
| Finish: | Polished Satin |
| Gauge: | 16 |
| Sound Deadening: | SoundGuard® |
| Number of Bowls: | 2 |
| Sink Dimensions: | 31-1/4" x 20-1/2" x 8" |
| Bowl 1 Dimensions: | 14" x 18" x 8" |
| Bowl 2 Dimensions: | 13-1/2" x 16" x 8" |
| Drain Size: | 3-1/2" (89mm) |
| Drain Location: | Rear Center |
| Minimum Cabinet Size: | 36" |
| Mounting Hardware: | Part # 54300008 included |
| Template Included: | Yes |
| Cutout Template #: | 1000001456 |

Template is available for download at [elkay.com](#)

Installation Profile:



†Not furnished

Designed to affix to the underside of any solid surface countertop.

OPTIONAL ACCESSORIES

| | |
|------------------------|---|
| Bottom Grid: | LKFOBG1418SS (large bowl), LKFOBG1316SS (small bowl) |
| Cutting Board: | LKCBF1418HW, LKCBF1316HW |
| Drain: | LK99 |
| Faucet: | LKAV1031, LKAV2031, LKAV3041 |
| Rinsing Basket: | LKFRB1418SS, LKWERBSS, LKFRB1316SS |
| Sinkmate: | LKSM17, LKSMHOOK, LKSMSPONGE, LKSMHSL |
| Soap Dispenser: | LKAV3054 |



AMERICAN PRIDE. A LIFETIME TRADITION.

Like your family, the Elkay family has values and traditions that endure. For almost a century, Elkay has been a family-owned and operated company, providing thousands of jobs that support our families and communities.



Sinks are listed by IAPMO® as meeting the applicable requirements of the Uniform Plumbing Code®, International Plumbing Code®, and National Plumbing Code of Canada.

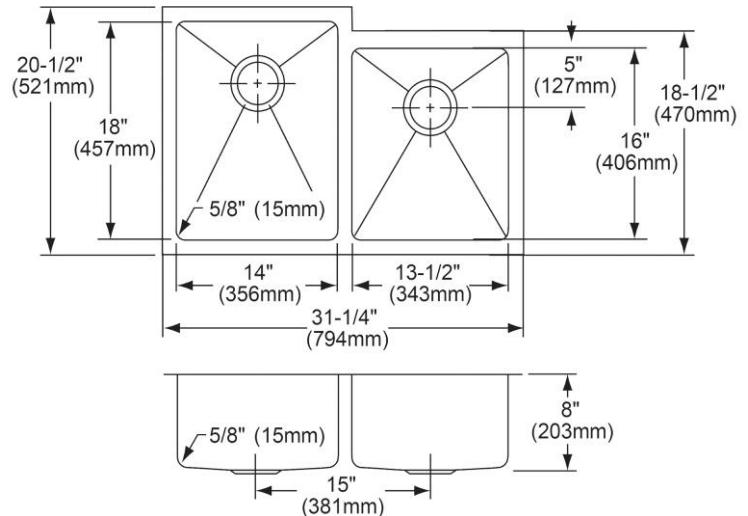
Product Compliance: ASME A112.19.3/CSA B45.4

[Clean and Care Manual \(PDF\)](#)

[Installation Instructions \(PDF\)](#)

[Limited Lifetime Warranty \(PDF\)](#)

Similar models are available with: extra deep bowls, included accessories (kit)



PART: _____ QTY: _____

PROJECT: _____

CONTACT: _____

DATE: _____

NOTES: _____

APPROVAL: _____

In keeping with our policy of continuing product improvement, Elkay reserves the right to change product specifications without notice. Please visit [elkay.com](#) for the most current version of Elkay product specification sheets. This specification describes an Elkay product with design, quality, and functional benefits to the user. When making a comparison of other producers' offerings, be certain these features are not overlooked.