

**SPECIFICATIONS**

**GENERAL**

Highest quality sink seamlessly drawn of #18 gauge, type 302 (18-8) nickel bearing stainless steel. Underside of sink is fully protected by heavy duty Sound Guard undercoating. Designed to accept waste disposer.

**DESIGN FEATURES**

Bowl Depth: 7-1/2".

Finish: Exposed surfaces are hand blended to a lustrous high-lighted satin finish. ELUH-1317 has highlighted inside top bowl radius.

Underside: Underside of sink is fully protected by heavy duty Sound Guard undercoating to prevent condensation and deaden sound.

**OTHER**

Drain opening: 3-1/2".

Note: All Elkay custom design undermount sinks are designed to affix easily to the underside of any solid surface countertop.

Installation: See illustrated profile below.

These sinks comply with ANSI Standard A112.19.3m.

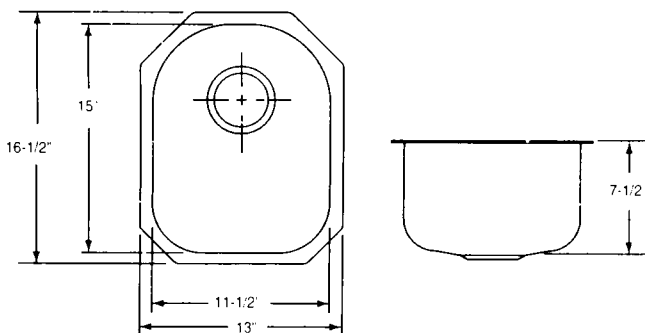


Model ELU-1317 Shown

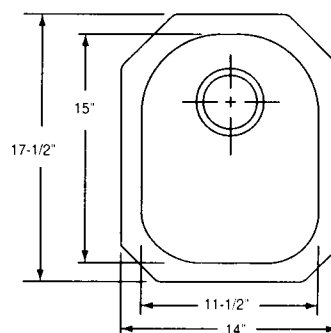
**SINK DIMENSIONS**

Model Number	DIMENSIONS IN INCHES Length is left to right. Width is front to back.					Cutout in Countertop  See Template*	Ship. Wt. Lbs.
	Overall		Inside Each Bowl				
	L	W	L	W	D		
ELU-1317	13	16 1/2	11 1/2	15	7 1/2	See Template*	9 1/2
ELUH-1317	14	17 1/2	11 1/2	15	7 1/2		9 1/2

\*Template and countertop mounting clips are packed with every sink.



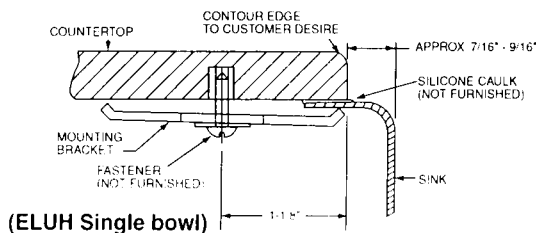
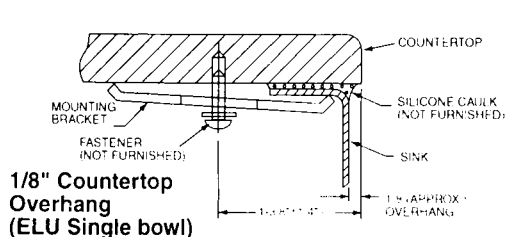
Model ELU-1317 Illustrated



Model ELUH-1317 Illustrated

**Installation Profile of ELU and ELUH Single Bowl Models**

The template provided with each ELU/ELUH sink provides the only type of installation recommended by Elkay.



ALL DIMENSIONS IN INCHES, TO CONVERT TO MILLIMETERS MULTIPLY BY 25.4.

*In keeping with our policy of continuing product improvement, Elkay reserves the right to change product specifications without notice.*

*This specification describes an Elkay product with design, quality and functional benefits to the user. When making a comparison of other producers' offerings, be certain these features are not overlooked.*