

SPECIFICATIONS

GENERAL

Highest quality. Sink bowls seamlessly drawn of #18 gauge, type 304 (18-8) nickel bearing stainless steel. Self-rimming.

DESIGN FEATURES

Bowl Depths: 10-1/8" (DLR332210, DLR372210, and DLR432210); 12-1/8" (DLR332212); 10" (DLR291810).

Coved Corners: 1-3/4" vertical and horizontal radius.

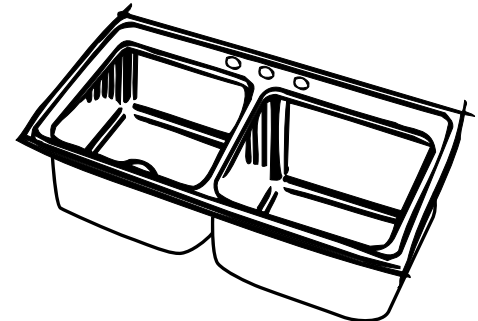
Finish: Exposed surfaces are hand blended to a lustrous highlighted satin finish.

Underside: Fully undercoated to prevent condensation and deaden sound.

OTHER

Drain Opening: 3-1/2".

Faucet Holes: Sink is available with 1, 2, 3, or 4, 1-1/2" diameter faucet holes 4" center.

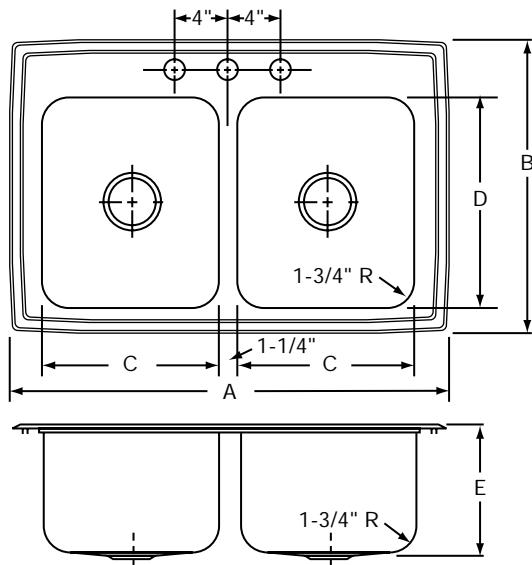


Model DLR3322103

SINK DIMENSIONS (INCHES)*

Model Number	Overall		Inside Bowl			Cutout in Countertop (1 1/2" Radius Corners)		Minimum Cabinet Size	Ship. Wt. Lbs.
	L	W	L	W	D	L	W		
	A	B	C	D	E				
DLR291810	29	18	12	12	10	28 3/8	17 3/8	33	22
DLR331910	33	19 1/2	14	14	10 1/8	32 3/8	18 7/8	36	23
DLR332210	33	22	13 1/2	16	10 1/8	32 3/8	21 3/8	36	24 3/4
DLR332212	33	22	13 1/2	16	12 1/8	32 3/8	21 3/8	36	24 3/4
DLR372210	37	22	16	16	10 1/8	36 3/8	21 3/8	42	29
DLR432210	43	22	19	16	10 1/8	42 3/8	21 3/8	48	32 3/4

*Length is left to right. Width is front to back.



ALL DIMENSIONS IN INCHES, TO CONVERT TO MILLIMETERS MULTIPLY BY 25.4.

In keeping with our policy of continuing product improvement, Elkay reserves the right to change product specifications without notice.

This specification describes an Elkay product with design, quality and functional benefits to the user. When making a comparison of other producers' offerings, be certain these features are not overlooked.