

**Lustertone® Deep Single Bowl Sink
No Faucet Ledge
Model DLFR-series**



SPECIFICATIONS

GENERAL

Lustertone sink without faucet ledge. Ideal for narrow counter-tops. Highest quality sink bowl seamlessly drawn of #18 gauge, type 304 (18-8) nickel bearing stainless steel. Self-rimming.

DESIGN FEATURES

Bowl Depth: 10" or 12".

Coved Corners: 1-3/4" radius.

Bowl Recess: 3/16" below outside edge of sink.

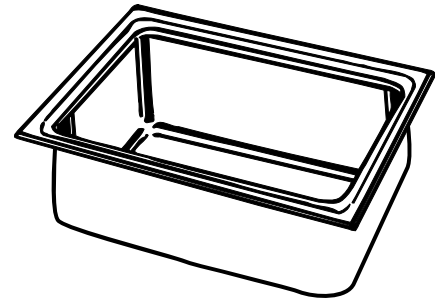
Finish: Exposed surfaces are hand blended to a lustrous high-lighted satin finish, with hi-shine bowl radius.

Underside: Fully undercoated to prevent condensation and deaden sound.

OTHER

Drain opening: 3-1/2".

Complies with ANSI Standard A112.19.3M.



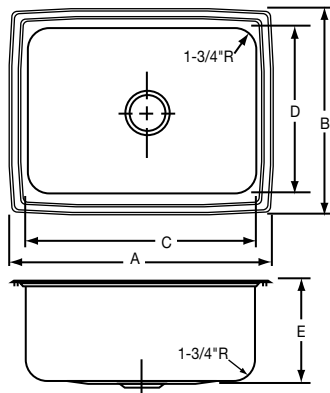
Model DLFR-2519-10



These sinks are listed by the International Association of Plumbing and Mechanical Officials as meeting the requirements of the Uniform Plumbing Code.

SINK DIMENSIONS

Model Number	DIMENSIONS IN INCHES Length is left to right. Width is front to back.					Cutout in Countertop (1 1/2" Radius Corners)		Ship. Wt. Lbs.
	Overall		Inside Compartment			L	W	
	L	W	L	W	D			
A	B	C	D	E	L	W		
DLFR-1918-10	19	18	16	13 1/2	10	18 3/8	17 3/8	14
DLFR-2519-10	25	19 1/2	21	15 3/4	10	24 3/8	18 7/8	18
DLFR-2519-12	25	19 1/2	21	15 3/4	12	24 3/8	18 7/8	18 3/4



ALL DIMENSIONS IN INCHES, TO CONVERT TO MILLIMETERS MULTIPLY BY 25.4.

In keeping with our policy of continuing product improvement, Elkay reserves the right to change product specifications without notice.

This specification describes an Elkay product with design, quality and functional benefits to the user. When making a comparison of other producers' offerings, be certain these features are not overlooked.