

SPECIFICATIONS

GENERAL

Good quality Celebrity single bowl sink is seamlessly drawn of #20 gauge, type 302 (18-8) nickel bearing stainless steel. Self-rimming. Exclusive trimmed corner design.

DESIGN FEATURES

Bowl Depth: 10".

Coved Corners: 3" vertical radius, 1-3/4" horizontal radius.

Bowl and Faucet Deck Recess: 3/16" total recess below outside of sink.

Finish: Exposed surfaces are machine polished to a highlighted finish.

Underside: Fully undercoated to prevent condensation and deaden sound.

OTHER

Drain opening: 3-1/2".

Faucet holes: 1, 2, 3, 4 or 5 faucet holes as indicated, 4" center to center.

Note: Unless otherwise specified, sink is furnished with three faucet holes.

OPTIONAL ACCESSORIES

Rinsing Baskets: LKRB-2015 and LKERB-SS.

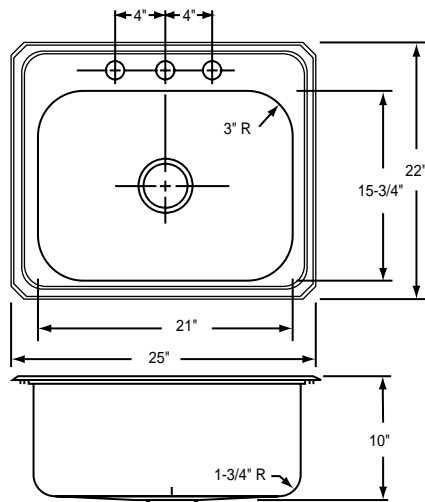
Cutting Board: CB-1516.

SINK DIMENSIONS

Model Number	DIMENSIONS IN INCHES					Cutout in Countertop (1 1/2" Radius Corners)		No. of 1 1/2" Dia. Faucet Holes 4" Centers	Ship. Wt. Lbs.
	Length is left to right. Width is front to back.					L	W		
	Overall		Inside Each Bowl						
L	W	L	W	D					
DCR-2522-10	25	22	21	15 3/4	10	24 3/8	21 3/8	1, 2, 3, 4 or 5	14 1/2



Model DCR-2522-10-3 Shown



Model DCR-2522-10-3 Illustrated

ALL DIMENSIONS IN INCHES. TO CONVERT TO MILLIMETERS MULTIPLY BY 25.4.

In keeping with our policy of continuing product improvement, Elkay reserves the right to change product specifications without notice.

This specification describes an Elkay product with design, quality and functional benefits to the user. When making a comparison of other producers' offerings, be certain these features are not overlooked.