

ELKAY® SPECIFICATIONS

Celebrity® Double Bowl Sink Model CR250

GENERAL

Good quality sink formed of #20 gauge, type 304 (18-8) nickel bearing stainless steel. Self-rimming.

DESIGN FEATURES

Bowl Depth: 7-1/8" (181mm) (large bowl), 7-1/4" (184mm) (small bowl).

Coved Corners: 3" (76mm) vertical radius and 2-1/4" (57mm) horizontal radius.

Bowl and Faucet Deck Recess: 3/16" (5mm) below outside edge of sink.

Finish: Exposed surfaces are polished to Brushed Satin Finish.

Underside: Fully undercoated to dampen sound and reduce condensation.

OTHER

Drain Opening: 3-1/2"

NOTE: Unless otherwise specified, sink is furnished with 4 faucet holes as shown.

Sink complies with ASME A112.19.3/ CSA B45.4



Sinks are listed by IAPMO® as meeting the applicable requirements of the Uniform Plumbing Code®, International Plumbing Code®, and National Plumbing Code of Canada.

OPTIONAL ACCESSORIES

Rinsing Baskets: LKWRB1318SS (large bowl), LKWRB1316SS (small bowl), LKWERBSS (either bowl)

Utensil Caddy for Rinsing Basket: LKWUCSS

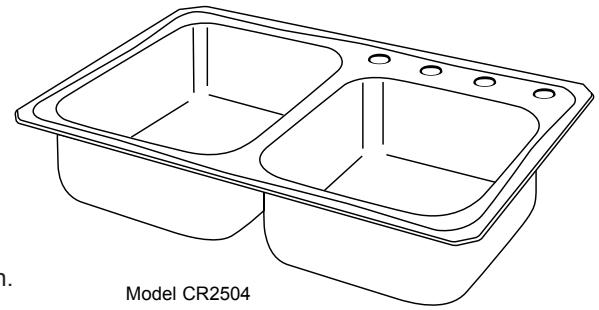
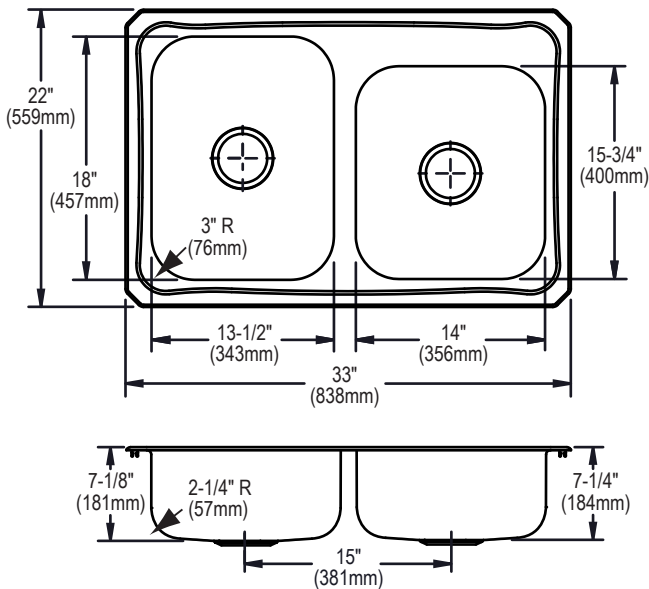
Bottom Grid: LKWBG1415SS (small bowl)

Cutting Board: CBR1316 (large bowl), CB1516 (small bowl)

SINK DIMENSIONS*

Model Number	Overall		Inside Left Bowl			Inside Right Bowl			Cutout in Countertop (1-1/2" (38mm) Radius Corners)		No. of 1 1/4" (32mm) or 1 1/2" (38mm) Dia. Faucet Holes 4" (102mm) centers	Minimum Cabinet Size
	L	W	L	W	D	L	W	D	L	W		
CR250	33 (838mm)	22 (559mm)	13 1/2 (343mm)	18 (457mm)	7 1/8 (181mm)	14 (356mm)	15 3/4 (400mm)	7 1/4 (184mm)	32 3/8 (822mm)	21 3/8 (543mm)	1, 2, S2, 3, or 4	36 (914mm)

* Length is left to right. Width is front to back.

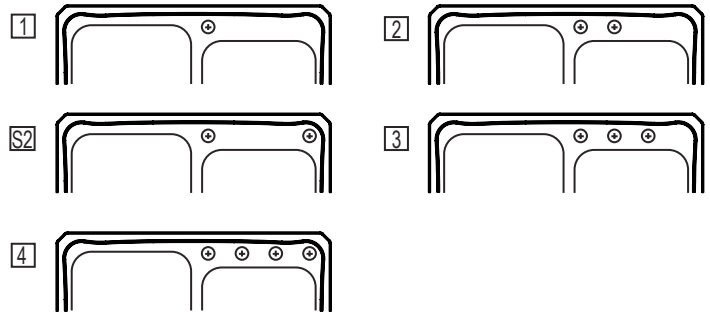


Model CR2504



Hole Drilling Configurations

1-1/2" (38mm) Diameter Faucet Holes on 4" (102mm) Centers



In keeping with our policy of continuing product improvement, Elkay reserves the right to change product specifications without notice. Please visit elkay.com for the most current version of Elkay product specification sheets.

This specification describes an Elkay product with design, quality, and functional benefits to the user. When making a comparison of other producers' offerings, be certain these features are not overlooked.