

**Celebrity® Single Bowl  
20 Gauge - Type 304 - Self Rim  
Model BCR-15**



**SPECIFICATIONS**

**GENERAL**

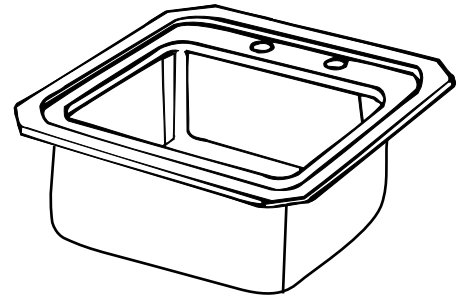
Good quality Celebrity single bowl hospitality sink is seamlessly drawn of #20 gauge, type 304 (18-8) nickel bearing stainless steel. Self-rimming.

**DESIGN FEATURES**

Bowl Depth: 6".  
Coved Corners: 2-1/4" vertical radius.  
Bowl and Faucet Deck Recess: 3/16" total recess below outside edge of sink.  
Finish: Exposed surfaces are machine polished to a highlighted bright finish.  
Underside: Fully undercoated to prevent condensation and deaden sound.

**OTHER**

Drain opening: 2".  
Faucet Holes: 1, 2 or 3 holes as indicated, 4" center to center.  
NOTE: Unless otherwise specified, sink is furnished with two faucet holes as shown.  
Complies with ANSI Standard A112.19.3M.



Model BCR-15-2



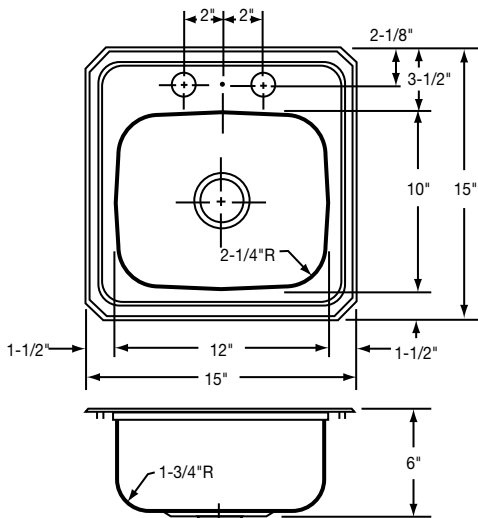
This sink is listed by the International Association of Plumbing and Mechanical Officials as meeting the requirements of the Uniform Plumbing Code.



This sink is listed with the Canadian Standards Association.

**SINK DIMENSIONS**

Model Number	DIMENSIONS IN INCHES					Cutout in Countertop (1 1/2" Radius Corners)		No. of 1 1/4" Dia. Faucet Holes 4" Centers	Ship. Wt. Lbs.
	Length is left to right. Width is front to back.					L	W		
	Overall		Inside Bowl						
BCR-15	L	W	L	W	D	14 3/8	14 3/8	1, 2 or 3	5



Model BCR-15-2 Illustrated

ALL DIMENSIONS IN INCHES, TO CONVERT TO MILLIMETERS MULTIPLY BY 25.4.

In keeping with our policy of continuing product improvement, Elkay reserves the right to change product specifications without notice.

This specification describes an Elkay product with design, quality and functional benefits to the user. When making a comparison of other producers' offerings, be certain these features are not overlooked.