

PRODUCT SPECIFICATIONS

Ferguson Exclusive Elkay Quartz Luxe[®] 35-7/8" x 22-1/2" x 9-1/2"
Single Bowl Farmhouse Sink w/Drainboard+Perfect Drain. Proprietary
manufacturing process that combines natural quartz with high
performance UV-stable acrylic resins, along with a patented webbing
and embedded organic fibers that results in an impact resistant, non-
porous and heat, scratch, stain and fade resistant surface. Naturally
sound deadening and Rear Center drain placement.

Installation Type:	Farmhouse
Material:	Quartz
Special Features:	Drainboard, Perfect Drain
Finish:	Caviar (CA), Charcoal (CH), Chestnut (CN), Ricotta (RT)
Number of Bowls:	1
Sink Dimensions:	35-7/8" x 22-1/2" x 9-1/2"
Bowl 1 Dimensions:	32-1/2" x 15-13/16" x 9-1/2"
Drain Size:	3-5/8" (92mm)
Drain Location:	Rear Center
Minimum Cabinet Size:	36"
Mounting Hardware:	Yes

Special Note: Available exclusively at Ferguson and Build.com.

Perfect Drain: Seamlessly molded collar eliminates the gap between a
traditional drain and the sink for a sanitary and gap free installation. An
InSinkErator[®] garbage disposer can be installed on either sink bowl for
user convenience. **Patent Pending**



Included with Product: One LKOBG1519SS grid and one LKPDQ1CR Perfect Drain and strainer.

AMERICAN PRIDE. A LIFETIME TRADITION.
Like your family, the Elkay family has values and traditions that endure.
For almost a century, Elkay has been a family-owned and operated
company, providing thousands of jobs that support our families and
communities.

Product Compliance: CSA B45.5/IAPMO Z124
Accessory: ASME A112.18.2/CSA B125.2



Sinks are listed by IAPMO[®] as meeting the applicable requirements
of the Uniform Plumbing Code[®], International Plumbing Code[®], and
National Plumbing Code of Canada.

[Clean and Care Manual \(PDF\)](#)

[Installation Instructions \(PDF\) - 1000005326](#)

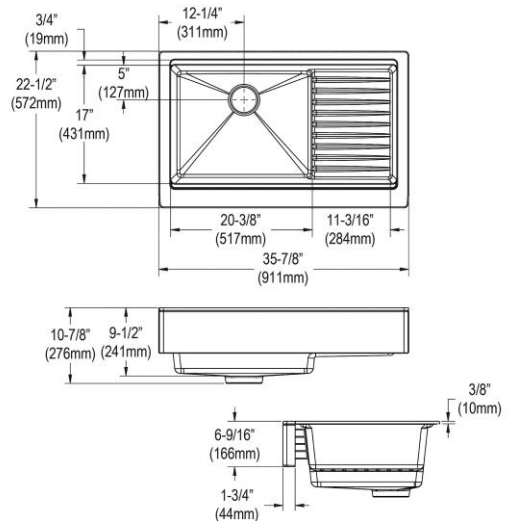
[Installation Instructions \(PDF\) - 1000003889_perfect-drain](#)

[Warranty \(PDF\)](#)

in sink erator[®]

Elkay[®] Perfect Drain[™] sinks are designed and
approved for compatible disposers manufactured by
InSinkErator[®] utilizing the Quick Lock[®] mounting
configuration. Use of non-approved disposers may
void Elkay warranty.

InSinkErator, Quick Lock and the mounting
collar configuration are trademarks of
Emerson Electric Co.



PART: _____ QTY: _____

PROJECT: _____

CONTACT: _____

DATE: _____

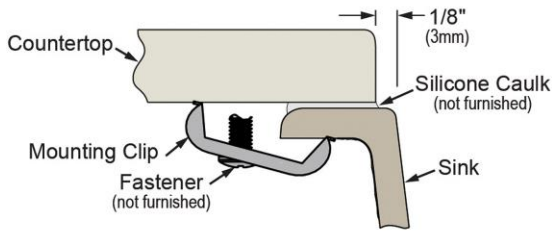
NOTES: _____

APPROVAL: _____

In keeping with our policy of continuing product improvement, Elkay reserves the right to change product specifications without notice. Please visit elkay.com for the most current version of Elkay product specification sheets. This specification describes an Elkay product with design, quality, and functional benefits to the user. When making a comparison of other producers' offerings, be certain these features are not overlooked.

Installation Profile:

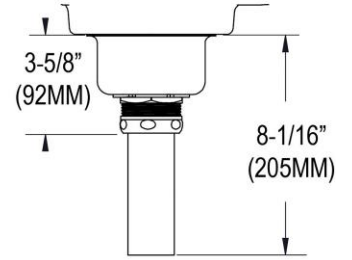
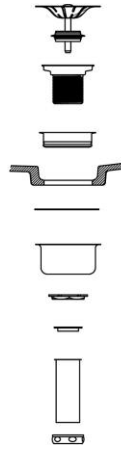
UNDERMOUNT - 1/8" REVEAL



Designed to affix to the underside of any solid surface countertop.

OPTIONAL ACCESSORIES

Cutting Board:	LKCB1219HW
Drain:	LKPDQ1LS
Faucet:	LK6000CR, LKEC2031
Soap Dispenser:	LKGT1054



Sink with Drain Kit Installed

In keeping with our policy of continuing product improvement, Elkay reserves the right to change product specifications without notice. Please visit elkay.com for the most current version of Elkay product specification sheets. This specification describes an Elkay product with design, quality, and functional benefits to the user. When making a comparison of other producers' offerings, be certain these features are not overlooked.