

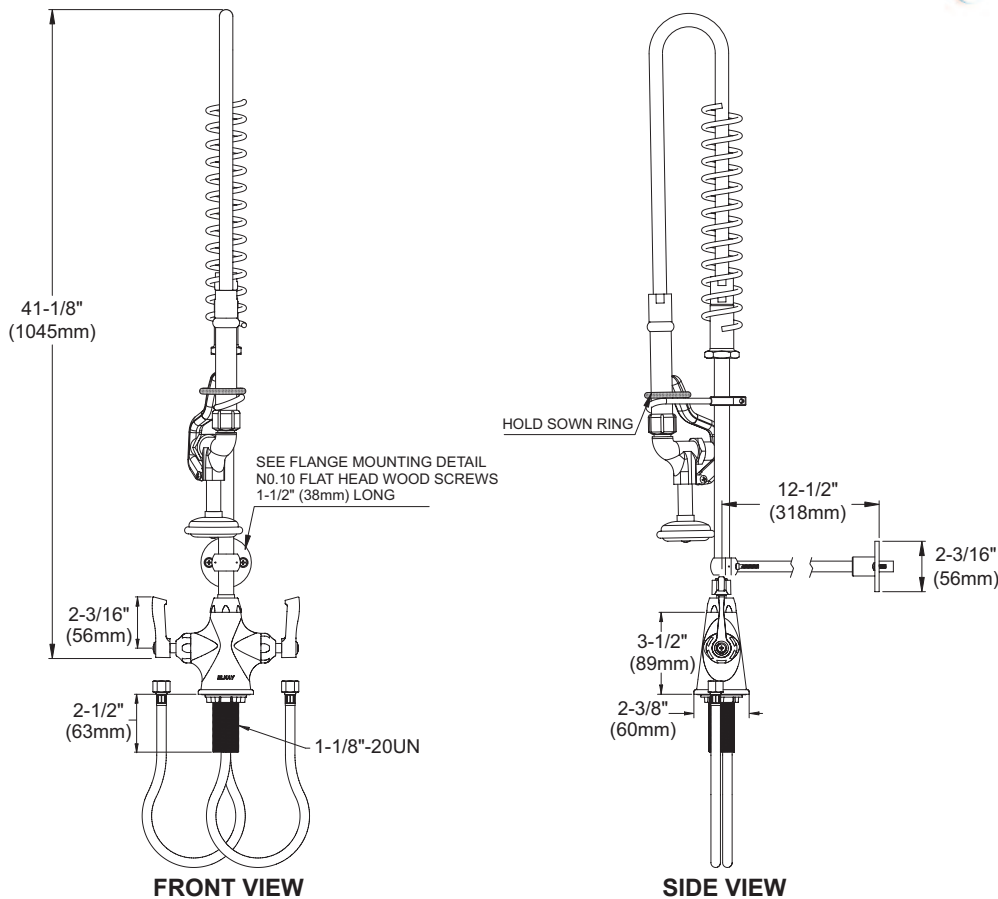
## Concealed Deck Pre-Rinse Commercial Faucet Model LK543C

### FEATURES

- One hole dual handle top mount faucet
- Quarter turn ceramic disc cartridge
- Solid brass construction
- 3.2 GPM spray valve
- Chrome finish
- Includes spout swing restriction pin

### COMPLIES WITH:

- ASME/ANSI A112.18.1
- CSA B125-01
- NSF/ANSI 61 Annex G
- ADA
- UPC/CUPC
- IAPMO Listed
- Certified AB1953



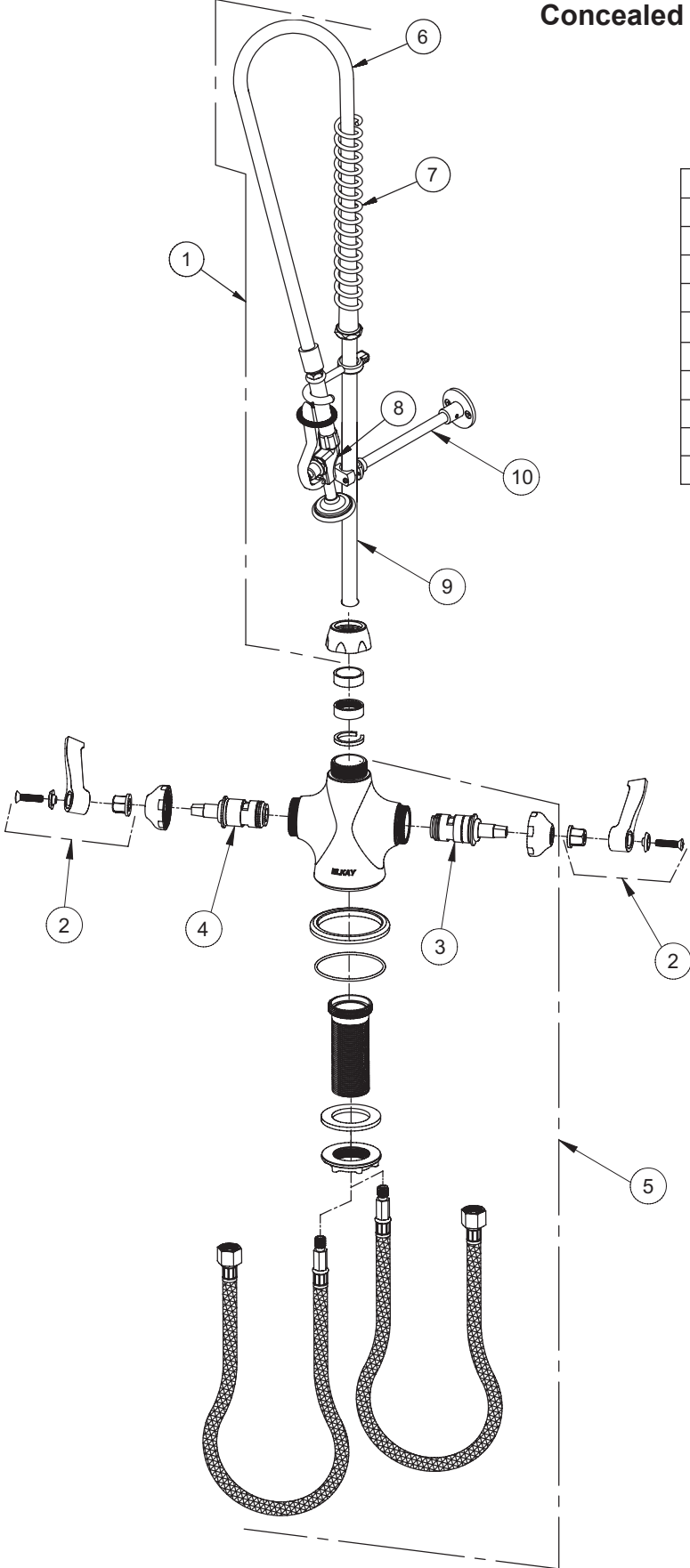
<b>Job Name:</b>	<b>Item #:</b>
<b>Notes:</b>	
<b>Architect/Engineer Approval:</b>	<b>Date:</b>

SEE OTHER SIDE FOR REPLACEMENT PARTS



# REPLACEMENT PARTS

## Concealed Deck Pre-Rinse Commercial Faucet Model LK543C



ITEM	IND. PART	DESCRIPTION
1	45938C	Pre-Rinse Assembly
2	45918C	Handle, 2"
3	45923C	Right Cold Cartridge
4	45924C	Left Hot Cartridge
5	45915C	Body
6	45943C	44" Hose
7	45944C	Spring
8	45942C	Spray Valve
9	45945C	Tall Riser
10	45946C	Support Rod