

# ELKAY® SPECIFICATIONS

## Rigidbilt® Triple Compartment Scullery Sink 3-1/2" (89mm) Radius Coved Corner Construction

### GENERAL

Model RNSF \_\_\_\_\_ #16 gauge, type 304, stainless steel scullery sink. Seamless drawn 3-1/2" (89mm) radius coved corner construction. Full length 8" (203mm) high backsplash with 45° sloped top. 1-1/2" (38mm) wide inward sloping top channel rims. Drainboards have a conical-shaped pitch for maximum drainage. Compartments with center outlets pitched to drain. Welded areas blended into the existing satin finish.

Sinks are situated on (4) stainless steel, 1-5/8" (41mm) O.D. tubular legs with cross-braces for optimal support. Adjustable bullet shaped feet. Rigidbilt sinks carry the NSF International Certification.

### OPTIONAL FEATURES\*

Undercoating to provide a sound and condensation barrier.

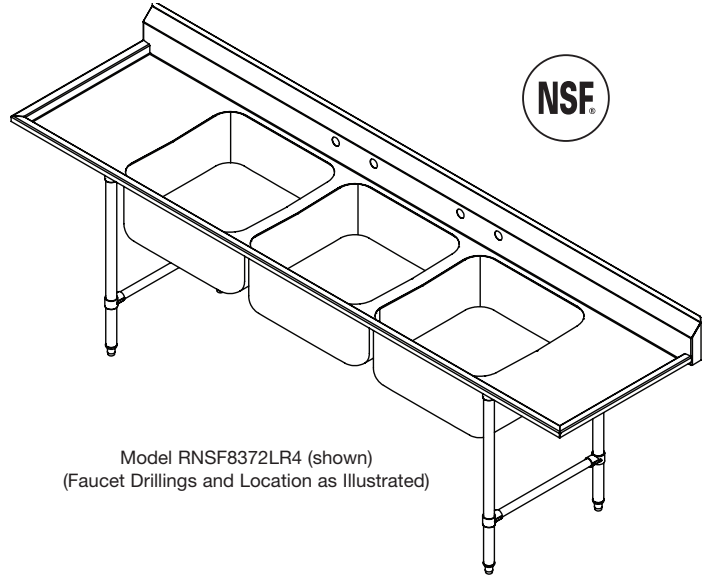
Left or right integral drainboards.

\*Allow 4-6 weeks for lead time.

### RECOMMENDED

FAUCET: Models RNSF8354/RNSF8354LR: LK940AT08L2H;  
Models RNSF8372/RNSF8372LR: LK940AT10L2H.

DRAIN: All Models: LK24RT or LK18B.



Model RNSF8372LR4 (shown)  
(Faucet Drillings and Location as Illustrated)

(CHECK MODEL SPECIFIED):

Model Number	A		B		C		D		APPROX. WT.	
	in	mm	in	mm	in	mm	in	mm	lbs	kgs
RNSF8354	67½	1715	18	457	N/A	N/A	20¼	514	91	41
RNSF8354LR	97½	2477	18	457	19½	495	20¼	514	111	50
RNSF8372	85½	2172	24	610	N/A	N/A	26¼	667	108	49
RNSF8372LR	115½	2934	24	610	19½	495	26¼	667	128	58

