

# ELKAY® SPECIFICATIONS

## Rigidbilt® Single Compartment Scullery Sink 3-1/2" (89mm) Radius Coved Corner Construction

### GENERAL

Model RNSF \_\_\_\_\_ #16 gauge, type 304, stainless steel scullery sink. Seamless drawn 3-1/2" (89mm) radius coved corner construction. Full length 8" (203mm) high backsplash with 45° sloped top. 1-1/2" (38mm) wide inward sloping top channel rims. Drainboards have a conical-shaped pitch for maximum drainage. Welded areas blended into the existing satin finish.

Sink is situated on (4) stainless steel, 1-5/8" (41mm) O.D. tubular legs with cross-braces for optimal support. Adjustable bullet shaped feet. Rigidbilt sinks carry the NSF International Certification.

### OPTIONAL FEATURES\*

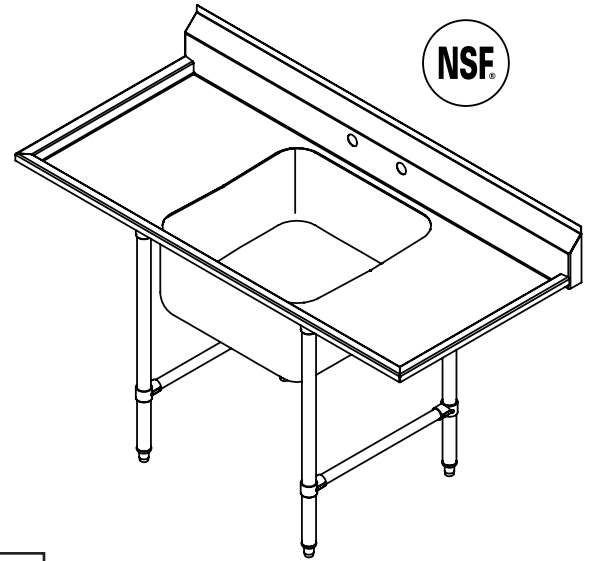
- Undercoating to provide a sound and condensation barrier.
- Left or right integral drainboards.

\*Allow 4-6 weeks for lead time.

### RECOMMENDED

FAUCET: Models RNSF8118/RNSF8118LR: LK940AT08L2H;  
Models RNSF8124/RNSF8124LR: LK940AT10L2H.

DRAIN: All Models: LK24RT or LK18B.



Model RNSF8124LR2 (shown)  
(Faucet Drillings and Location as Illustrated)

(CHECK MODEL SPECIFIED):

Model Number	A		B		C		APPROX. WT.	
	in	mm	in	mm	in	mm	lbs	kgs
RNSF8118	27	686	18	457	N/A	N/A	46	21
RNSF8118LR	57	1448	18	457	19½	495	67	30
RNSF8124	33	838	24	610	N/A	N/A	52	24
RNSF8124LR	63	1600	24	610	19½	495	72	33

