

**PRODUCT SPECIFICATIONS**

Asana® (Lustertone®) Stainless Steel Single Bowl Top Mount Sink. Overall dimensions are 20-3/8" x 16-7/8" x 6-1/4". Sink is manufactured from 18 gauge 304 Stainless Steel with a Lustrous Highlighted Satin finish, Rear Center drain placement, Bottom only spray and Bottom Only sound dampening pads.


<b>Installation Type:</b>	Top Mount
<b>Material:</b>	304 Stainless Steel
<b>Finish:</b>	Lustrous Highlighted Satin
<b>Gauge:</b>	18
<b>Sound Deadening:</b>	Bottom only spray
<b>Sound Dampening Pads:</b>	Bottom Only
<b>Number of Bowls:</b>	1
<b>Sink Dimensions:</b>	20-3/8" x 16-7/8" x 6-1/4"
<b>Bowl 1 Dimensions:</b>	17-1/2" x 11-3/8" x 6-1/4"
<b>Drain Size:</b>	1-1/2" (38mm)
<b>Drain Location:</b>	Rear Center
<b>Minimum Cabinet Size:</b>	24"
<b>Mounting Hardware:</b>	Part # 64090008 included for countertops up to 3/4" (19mm) thick



AMERICAN PRIDE. A LIFETIME TRADITION. Like your family, the Elkay family has values and traditions that endure. For almost a century, Elkay has been a family-owned and operated company, providing thousands of jobs that support our families and communities.

**Product Compliance:** ADA  
ASME A112.19.3/CSA B45.4

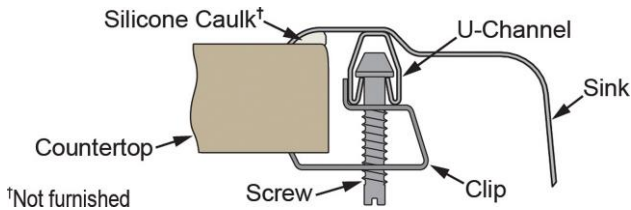
[Clean and Care Manual \(PDF\)](#)  
[Installation Instructions \(PDF\)](#)  
[Limited Lifetime Warranty \(PDF\)](#)

 This sink is compliant to ADA and ANSI/ICC A117.1 accessibility requirements when installed according to the requirements outlined in these standards.

**Hole Drilling Configurations:**

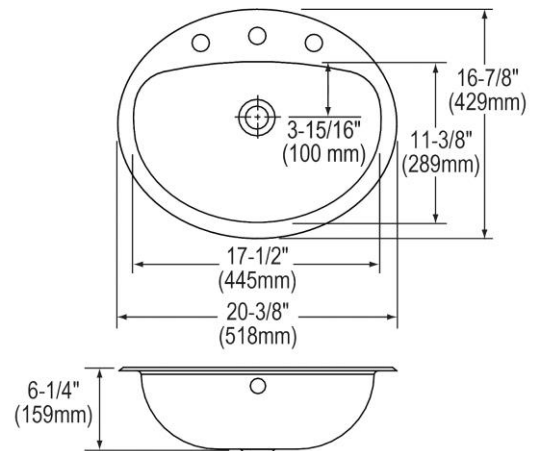
NO IMAGE AVAILABLE

**Installation Profile:**



**OPTIONAL ACCESSORIES**

<b>Drain:</b>	LK174
<b>Hardware:</b>	LK364, LK463



PART: \_\_\_\_\_ QTY: \_\_\_\_\_  
 PROJECT: \_\_\_\_\_  
 CONTACT: \_\_\_\_\_  
 DATE: \_\_\_\_\_  
 NOTES: \_\_\_\_\_  
 APPROVAL: \_\_\_\_\_

In keeping with our policy of continuing product improvement, Elkay reserves the right to change product specifications without notice. Please visit [elkay.com](http://elkay.com) for the most current version of Elkay product specification sheets. This specification describes an Elkay product with design, quality, and functional benefits to the user. When making a comparison of other producers' offerings, be certain these features are not overlooked.