

DAYTON SPECIFICATIONS

Kingsford® Double Bowl Sink Model K23319 Series

GENERAL

Sink is formed of #23 gauge, 300 series, nickel-bearing stainless steel. Top mount.

DESIGN FEATURES

Bowl Depth: 6-1/16" (154mm)

Coved Corners: 2-1/2" (64mm) vertical radius and 2-3/4" (70 mm) horizontal radius.

Finish: Exposed surfaces are polished to a Satin finish.

Underside: Undercoated on bottom of bowls.

OTHER

Drain Opening: 3-1/2" (89mm)

Installation Hardware: Included for 3/4" (19mm) countertop.

OPTIONAL ACCESSORIES

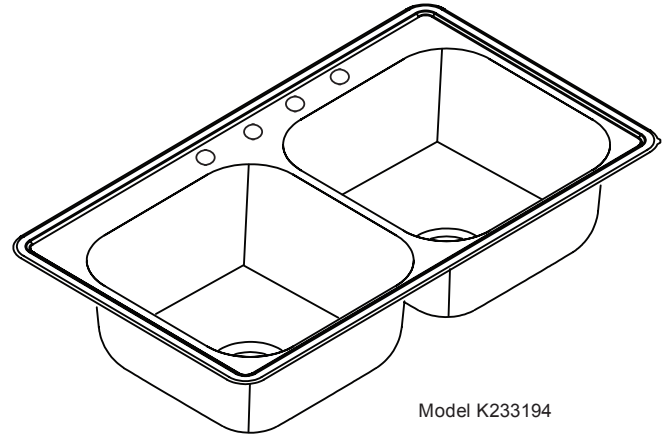
Bottom Grid: GBG1414SS

Drain: LK35, D1125

Sink complies with ASME A112.19.3/ CSA B45.4



Sinks are listed by IAPMO® as meeting the applicable requirements of the Uniform Plumbing Code®, International Plumbing Code®, and National Plumbing Code of Canada.



Model K233194



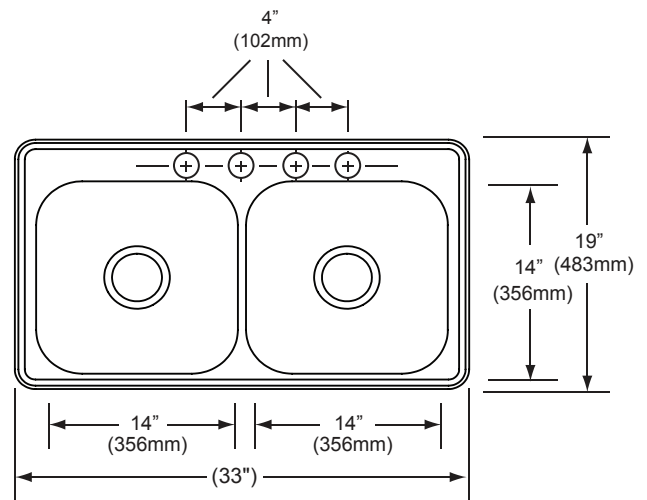
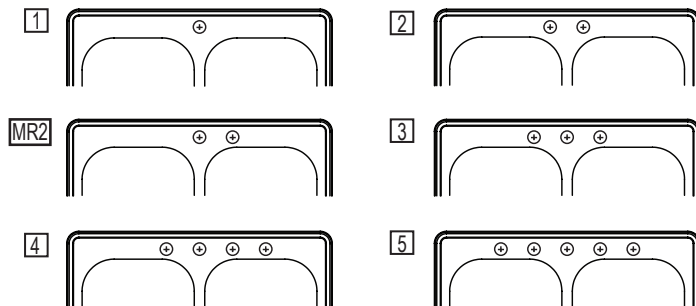
SINK DIMENSIONS (INCHES)*

Model Number	Overall		Inside Each Bowl			Cutout in Countertop (1-1/2" (38mm) Radius Corners)		No. of 1-1/2" (38mm) Dia. Faucet Holes 4" (102mm) Center	Minimum Cabinet Size
	L	W	L	W	D	L	W		
	K23319	33 (838mm)	19 (483mm)	14 (356mm)	14 (356mm)	6-1/16 (154mm)	32-3/8 (822mm)		

*Length is left to right. Width is front to back.

Hole Drilling Configurations

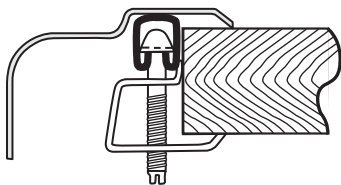
1-1/2" (38mm) Diameter Faucet Holes on 4" (102mm) Centers



Bowl Depth is 6-1/16"

Model K233194 Illustrated

U-Channel Type Mounting System



In keeping with our policy of continuing product improvement, Elkay reserves the right to change product specifications without notice. Please visit elkayusa.com for most current version of Elkay product specification sheets.

This specification describes an Elkay product with design, quality and functional benefits to the user. When making a comparison of other producers' offerings, be certain these features are not overlooked.