

**Surgical Scrub Sink, Two Station, Wall Mounted,
Knee Operated Water Valve, User Adjustable
Water Temperature Valve, With/Without Knee
Operated Soap Pump
Models EWSF26026KWSC and EWSF26026KWC**



SPECIFICATIONS

GENERAL

#18 and #16 gauge, type 304 (18/8), stainless steel double station scrub sink with knee operated water valve, user adjustable water temperature valve, spout, coved corners, latched front panel, wall hanger, full length backsplash, full enclosure, with or without knee operated soap dispenser. Exposed surfaces are polished to a satin finish. Underside is sound deadened.

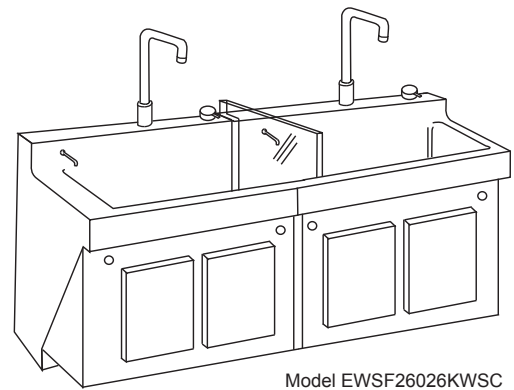
FURNISHED COMPLETE WITH:

SUPPLY: (2) Chrome brass construction, 8" reach spout with adjustable swivel spray head and connection hoses for thermostatic valve to water valve and water valve to spout.

DRAIN: (2) **LK18B** Stainless steel perforated strainer grid, drain with 1-1/2" (38 mm) O.D. x 4" (102mm) stainless steel tailpiece.

EWSF26026KWSC - Model includes knee activated water and soap pump.

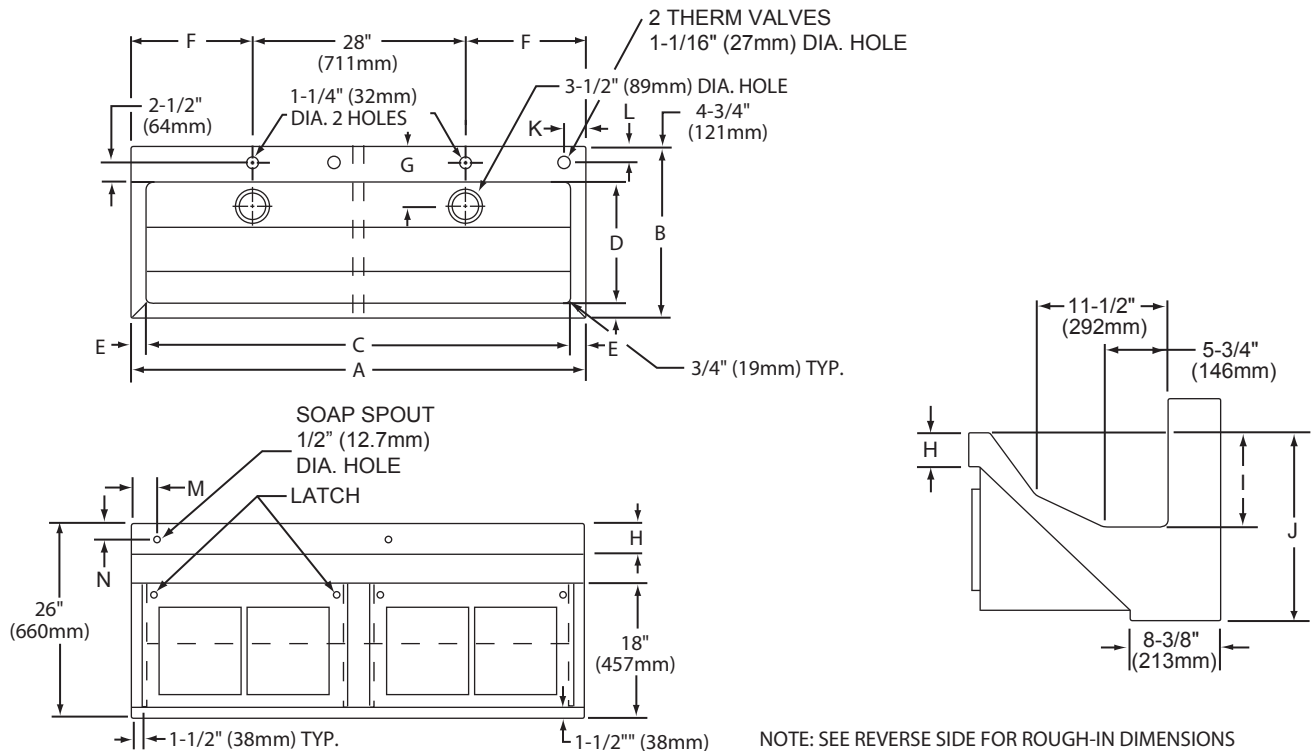
EWSF26026KWC - Model includes knee activated water ONLY.



Model EWSF26026KWSC

DIMENSIONS

Model Number	A	B	C	D	E	F	G	H	I	J	L	K	M	N
EWSF26026KWC	60 (1524mm)	23 (584mm)	26 (260mm)	16-1/4 (413mm)	2 (51mm)	15 (381mm)	8-1/8 (206mm)	4 (102mm)	11 (279mm)	22 (559mm)	2-3/8 (60mm)	7-1/2 (190mm)	-	-
EWSF26026KWSC	60 (1524mm)	23 (584mm)	26 (260mm)	16-1/4 (413mm)	2 (51mm)	15 (381mm)	8-1/8 (206mm)	4 (102mm)	11 (279mm)	22 (559mm)	2-3/8 (60mm)	7-1/2 (190mm)	4 (101mm)	1 (25.4mm)



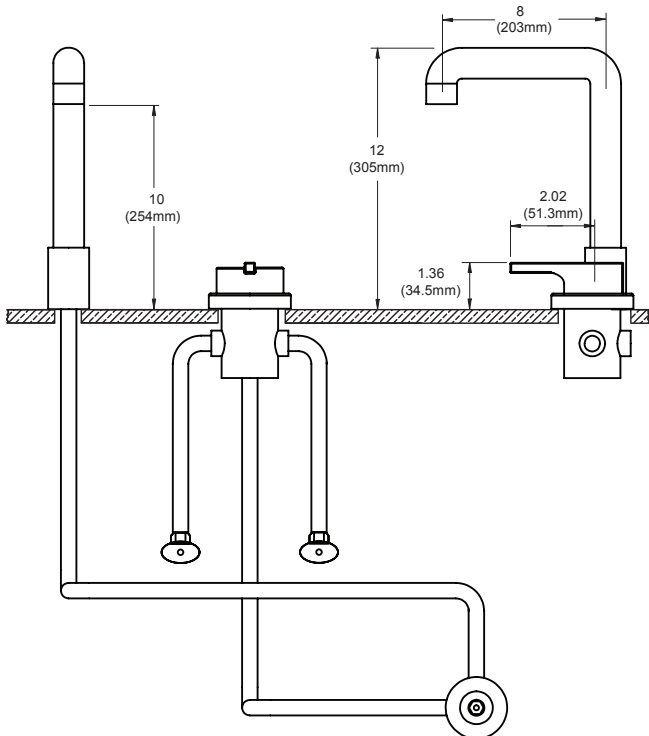
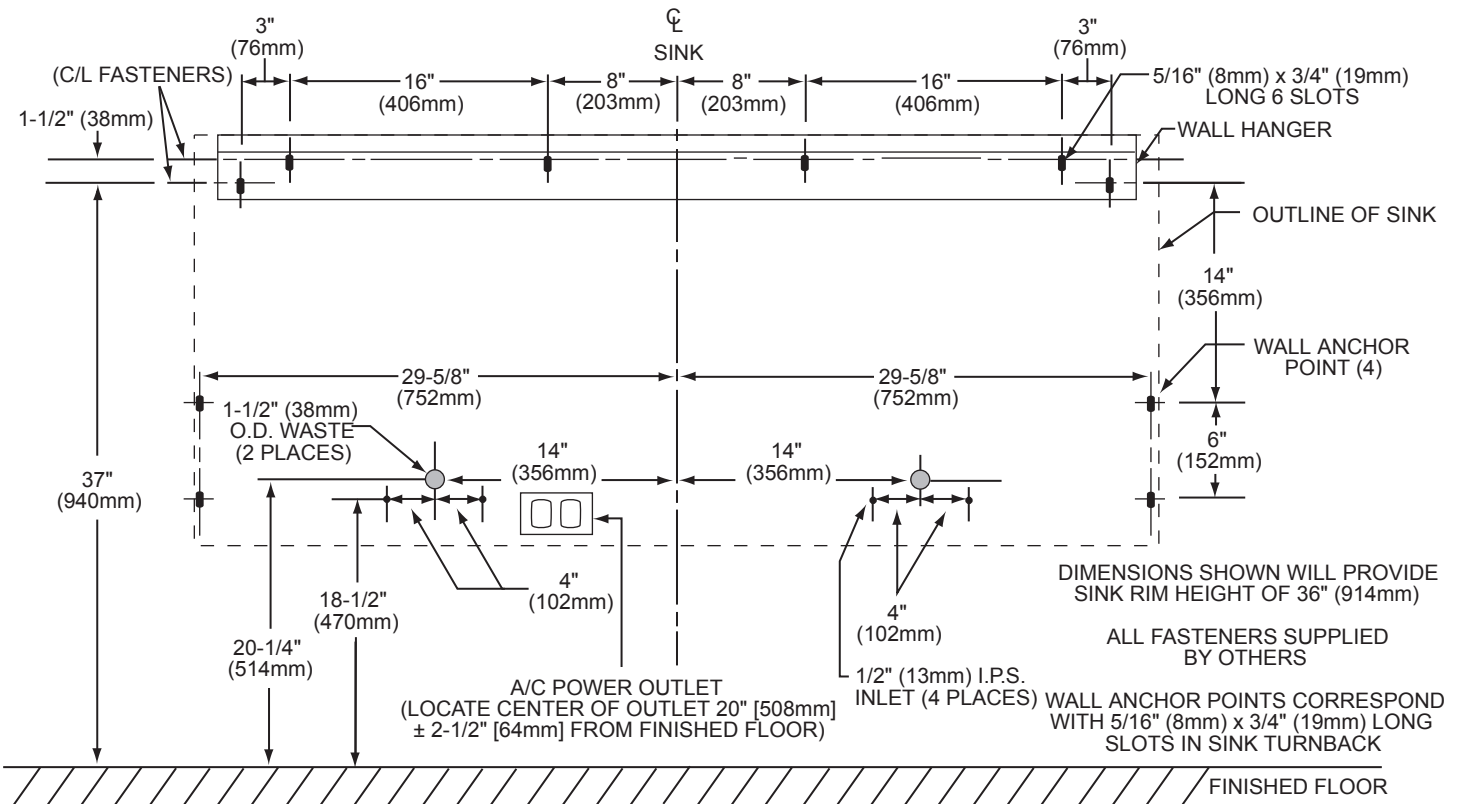
In keeping with our policy of continuing product improvement, Elkay reserves the right to change product specifications without notice. Please visit elkayusa.com for most current version of Elkay product specification sheets.

This specification describes an Elkay product with design, quality and functional benefits to the user. When making a comparison of other producers' offerings, be certain these features are not overlooked.

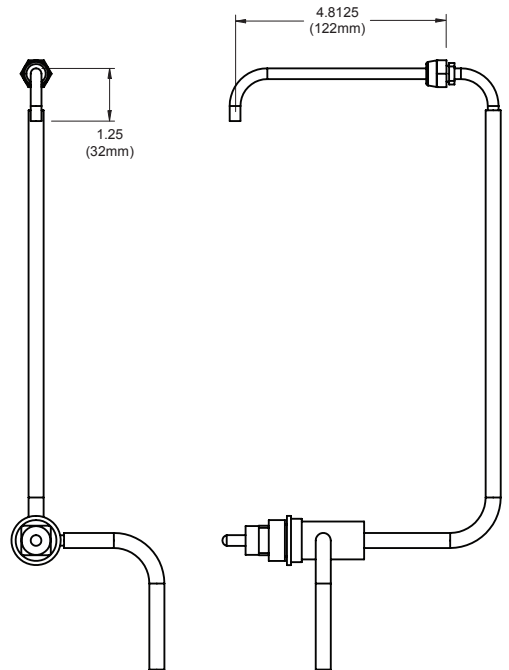
**Surgical Scrub Sink, Two Station, Wall Mounted,
Knee Operated Water Valve, User Adjustable
Water Temperature Valve, With/Without Knee
Operated Soap Pump
Models EWSF26026KWSC and EWSF26026KWC**

ELKAY®

ROUGH-IN DIMENSIONS



FAUCET AND TEMPERATURE HANDLE



SOAP SPOUT