

DAYTON® SPECIFICATIONS

Dayton® Premium Single Bowl Sink with Slim Rim Model DPMSR12722PD

GENERAL

Sink formed of #18 (1.2mm) gauge, 300 Series nickel-bearing stainless steel. Universal mount.

DESIGN FEATURES

Slim Rim: Ultra thin edge that virtually eliminates the barrier between the sink and countertop, allowing for a universal (top or undermount) installation option.

Bowl Depths: 8" (203mm).

Coved Corners: 1-3/4" (44mm) horizontal and vertical radii.

Finish: Exposed surfaces are polished to a Premium Satin finish.

Underside: Fully undercoated to reduce condensation and dampen sound.

Perfect Drain: Seamlessly welded stainless steel collar eliminates the gap between a traditional drain and the sink for a sanitary and gap free installation. Each sink shipped with one LKPD1 drain kit, or a garbage disposer can be installed on the sink bowl for user convenience.

Patent Pending

OTHER

Drain opening: 3-3/8" (86mm)

Waste Fitting complies with ASME A112.18.2/CAN/CSA-B125.2

Sink complies with ASME A112.19.3/ CSA B45.4



Sinks are listed by IAPMO® as meeting the applicable requirements of the Uniform Plumbing Code®, International Plumbing Code®, and National Plumbing Code of Canada.

OPTIONAL ACCESSORIES

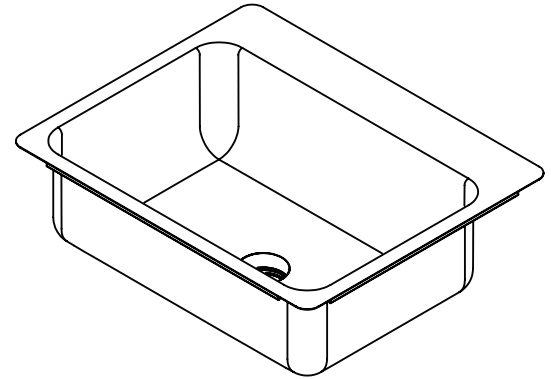
Bottom Grid: GBG2416SS

Cutting Board: CB1713, CBS1316

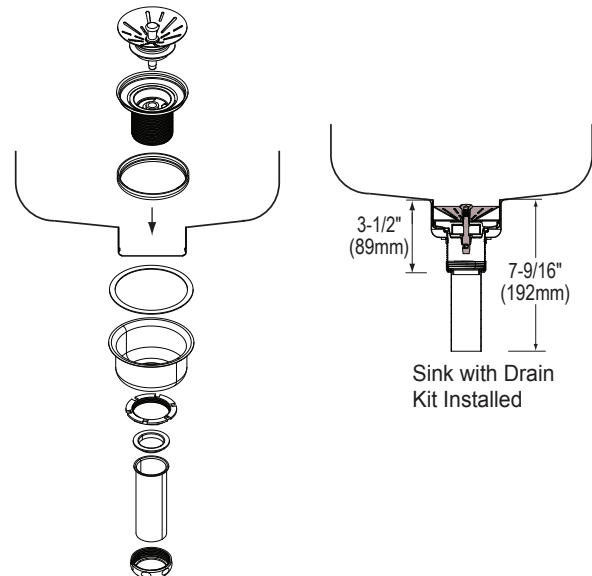
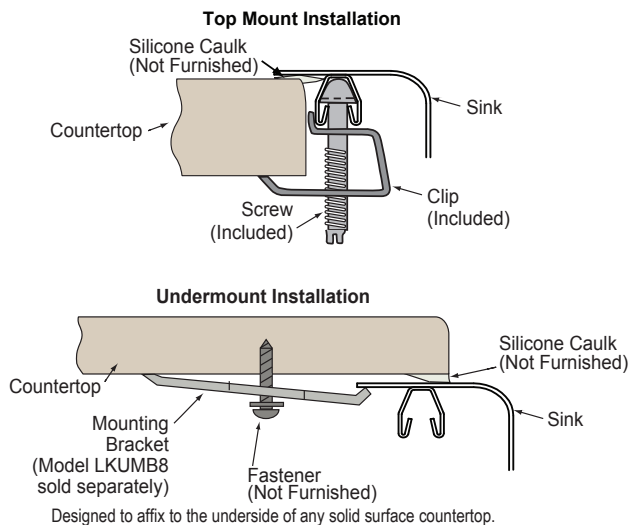
Mounting Hardware: LK364

Rinsing Basket: LKWRB2416SS, LKWERBSS

Utensil Caddy for Rinsing Basket: LKWUCSS



Model DPMSR12722PD



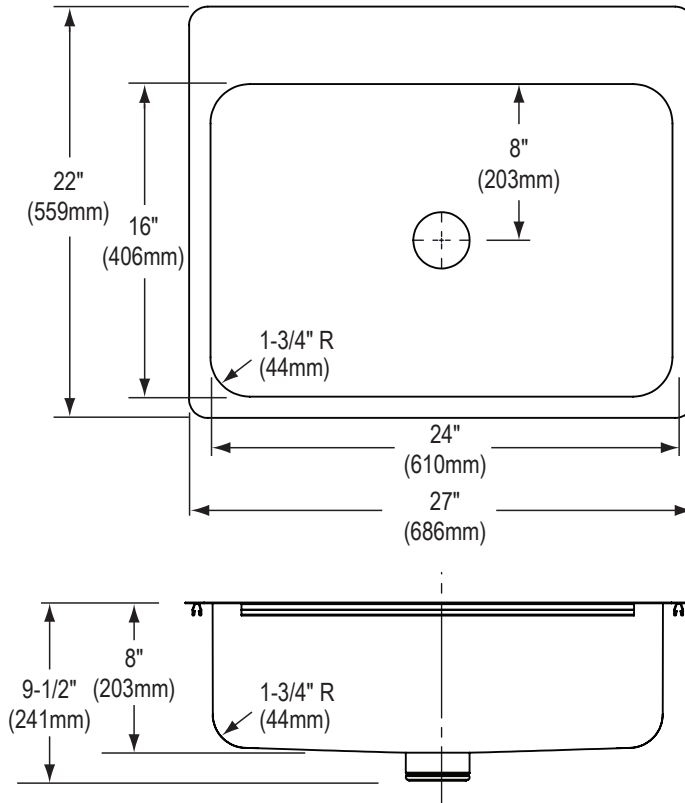
In keeping with our policy of continuing product improvement, Elkay reserves the right to change product specifications without notice. Please visit elkay.com for most current version of Elkay product specification sheets.

This specification describes an Elkay product with design, quality and functional benefits to the user. When making a comparison of other producers' offerings, be certain these features are not overlooked.

SINK DIMENSIONS*

Model Number	Overall			Inside Bowl			Cutout in Countertop (1 1/2" [38mm] Radius Corners)		No. of 1 1/2" (38mm) Dia. Faucet Holes 4" (102mm) Center	Minimum Cabinet Size
	L	W	D	L	W	D	L	W		
DPMSR12722PD	27 (686mm)	22 (559mm)	9-1/2 (241mm)	24 (610mm)	16 (406mm)	8 (203mm)	26-3/8 (670mm)	21-3/8 (543mm)	1, 2, MR2, 3, 4, or 5	30 (762mm)

*Length is left to right. Width is front to back.



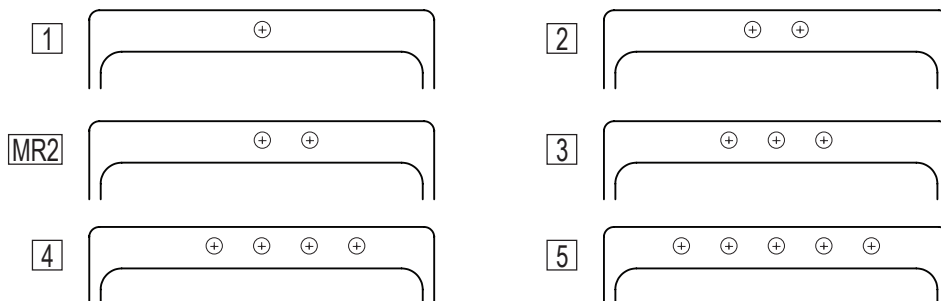
in sink erator®

Elkay® Perfect Drain™ sinks are designed and approved for compatible disposers manufactured by InSinkErator® utilizing the Quick Lock® mounting configuration. Use of non-approved disposers may void Elkay warranty.

InSinkErator, Quick Lock and the mounting collar configuration are trademarks of Emerson Electric Co.



Hole Drilling Configurations 1-1/2" (38mm) Diameter Faucet Holes



In keeping with our policy of continuing product improvement, Elkay reserves the right to change product specifications without notice. Please visit elkay.com for most current version of Elkay product specification sheets.

This specification describes an Elkay product with design, quality and functional benefits to the user. When making a comparison of other producers' offerings, be certain these features are not overlooked.