

DAYTON SPECIFICATIONS

Dayton® DG and DDG Series Sink Models DDG12522, DDG23322, DG12522 and DG23322

GENERAL

Sink is formed of #20 gauge, 300 series nickel-bearing stainless steel.
Top mount.

DESIGN FEATURES

Bowl Depth: 6-9/16"(167mm) (DGSeries), 7-1/16"(179mm) (DDGSeries).

Coved Corners: 4"(102mm) vertical and 3-1/4"(83mm) horizontal radius.

Faucet Deck: Raised

Rim Height: 3/16"(5mm)

Finish: Exposed surfaces are polished to a satin finish.

Underside: Undercoated on bottom of bowls to reduce condensation and dampen sound.

OTHER

Drain Opening: 3-1/2"(89mm)

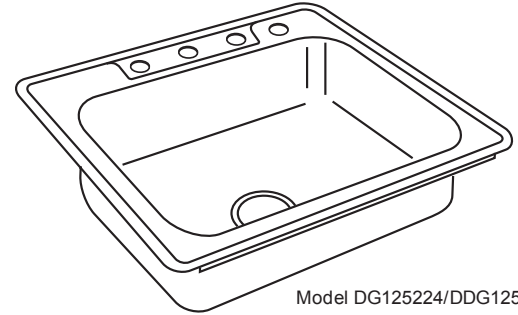
Installation Hardware: Included for 3/4" (19mm) countertop.



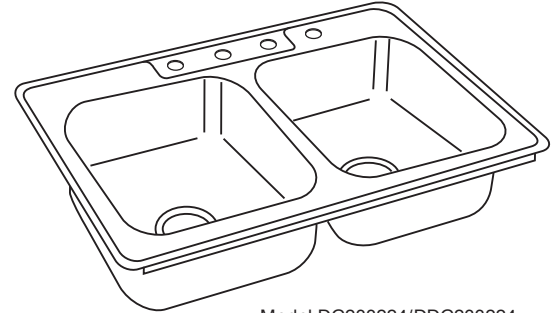
The DG12522 and DG23322 model sinks are compliant to ADA and ANSI/ICC A117.1 accessibility requirements when installed according to the requirements outlined in these standards.

Sink complies with ASME A112.19.3/ CSA B45.4

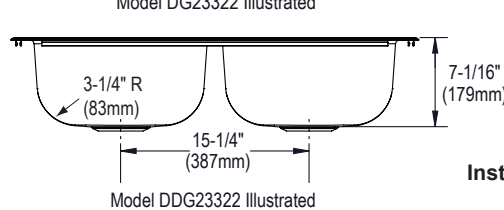
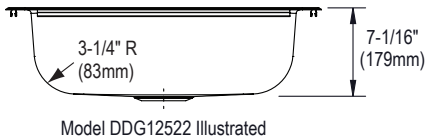
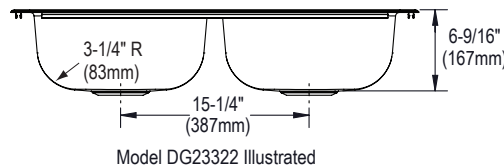
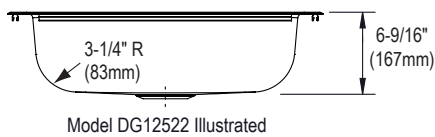
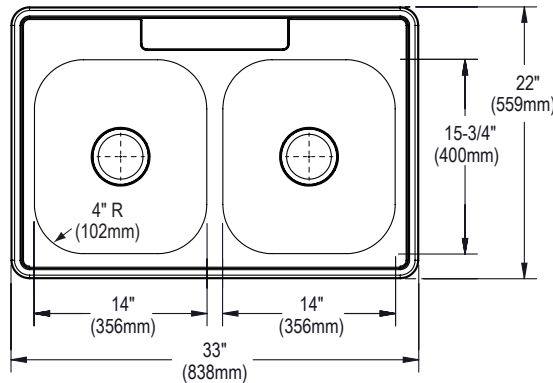
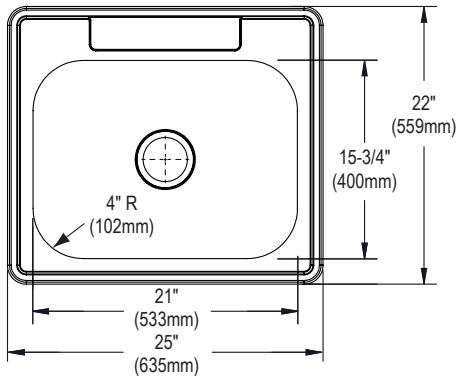
Sinks are listed by IAPMO® as meeting the applicable requirements of the Uniform Plumbing Code®, International Plumbing Code®, and National Plumbing Code of Canada.



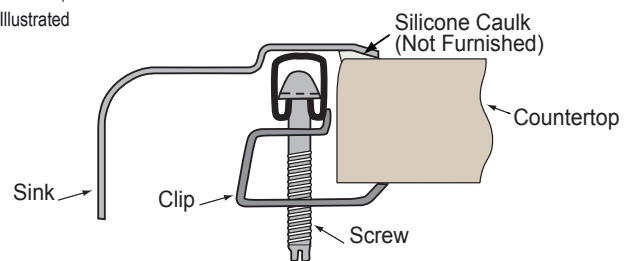
Model DG125224/DDG125224



Model DG233224/DDG233224



Installation Profile



In keeping with our policy of continuing product improvement, Elkay reserves the right to change product specifications without notice. Please visit elkay.com for most current version of Elkay product specification sheets.

This specification describes an Elkay product with design, quality and functional benefits to the user. When making a comparison of other producers' offerings, be certain these features are not overlooked.

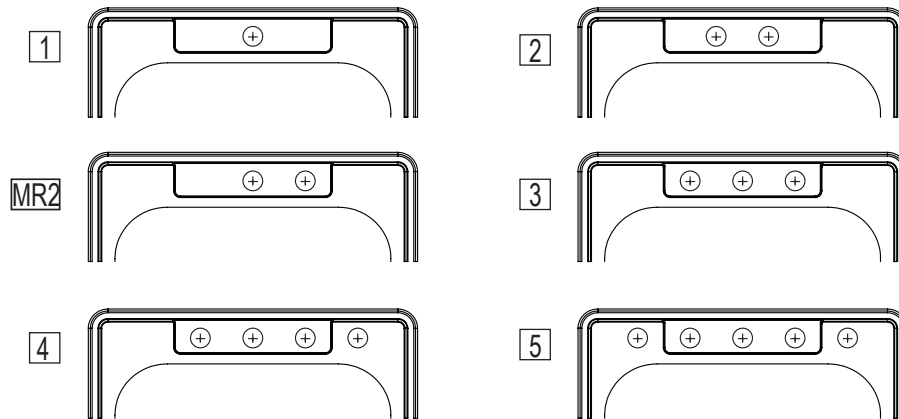
SINK DIMENSIONS*

Model Number	Overall		Inside Each Bowl			Cutout in Countertop (1-1/2" (38mm) Radius Corners)		No. of 1-1/2" (38mm) Dia. Faucet Holes	Minimum Cabinet Size
	L	W	L	W	D	L	W		
DDG12522	25 (635mm)	22 (559mm)	21 (533mm)	15-3/4 (400mm)	7-1/16 (179mm)	24-3/8 (619mm)	21-3/8 (543mm)	1, 2, MR2 3, 4 or 5	30 (762mm)
DDG23322	33 (838mm)	22 (559mm)	14 (356mm)	15-3/4 (400mm)	7-1/16 (179mm)	32-3/8 (822mm)	21-3/8 (543mm)	1, 2, MR2 3, 4 or 5	36 (914mm)
DG12522	25 (635mm)	22 (559mm)	21 (533mm)	15-3/4 (400mm)	6-9/16 (167mm)	24-3/8 (619mm)	21-3/8 (543mm)	1, 2, MR2 3, 4 or 5	30 (762mm)
DG23322	33 (838mm)	22 (559mm)	14 (356mm)	15-3/4 (400mm)	6-9/16 (167mm)	32-3/8 (822mm)	21-3/8 (543mm)	1, 2, MR2 3, 4 or 5	36 (914mm)

*Length is left to right. Width is front to back.

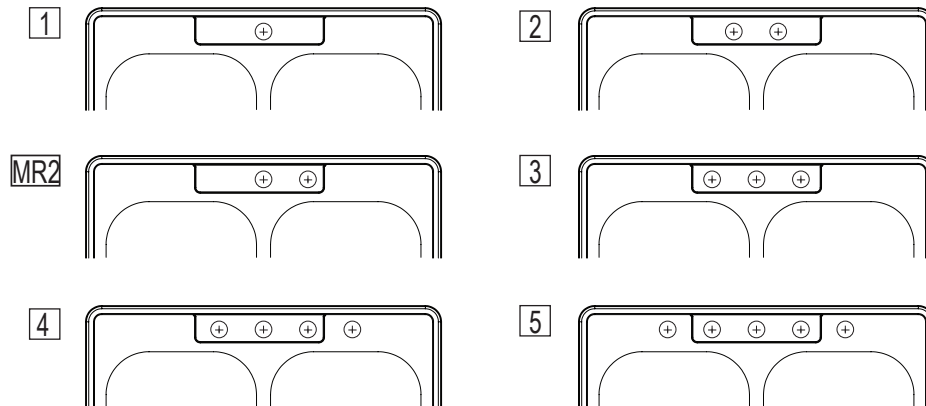
Hole Drilling Configurations - DDG12522 / DG12522

1-1/2" (38mm) Diameter Faucet Holes on 4" (102mm) Centers



Hole Drilling Configurations - DDG23322 / DG23322

1-1/2" (38mm) Diameter Faucet Holes on 4" (102mm) Centers



In keeping with our policy of continuing product improvement, Elkay reserves the right to change product specifications without notice. Please visit elkay.com for most current version of Elkay product specification sheets.

This specification describes an Elkay product with design, quality and functional benefits to the user. When making a comparison of other producers' offerings, be certain these features are not overlooked.