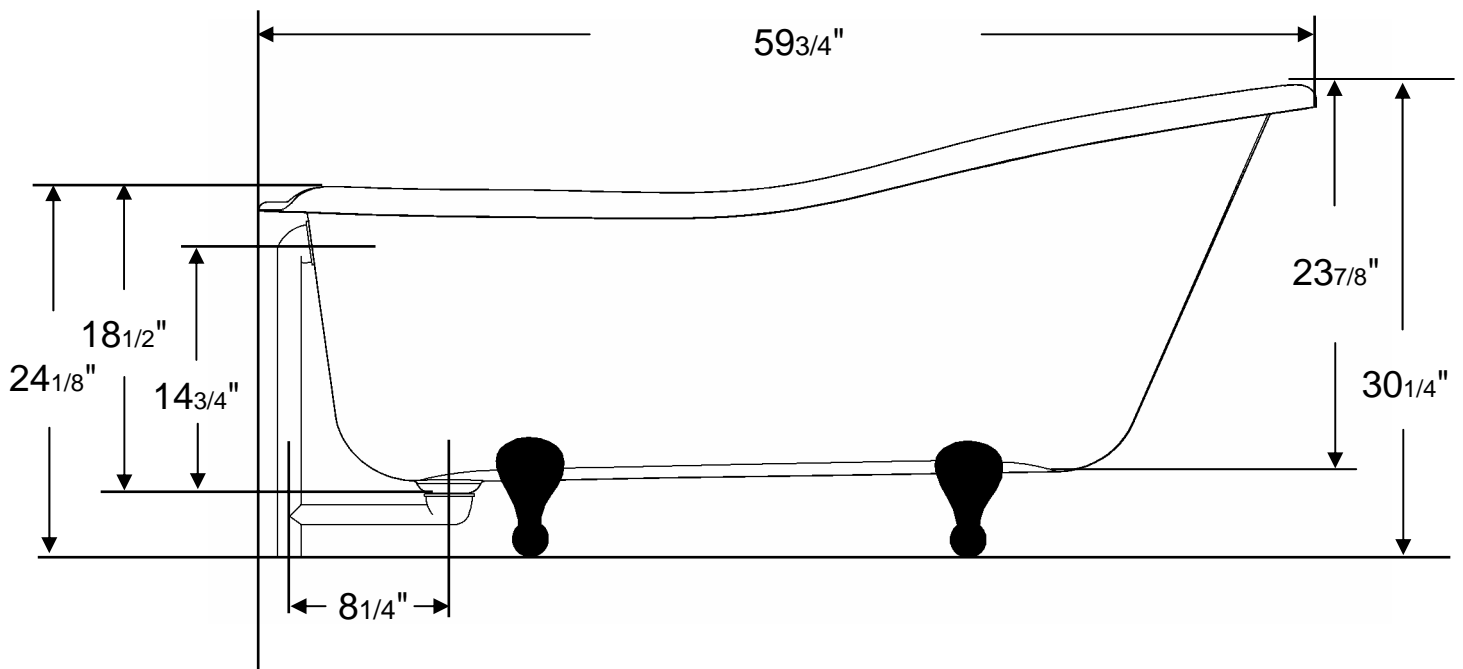




USASL60

Acrylic 60 Slipper

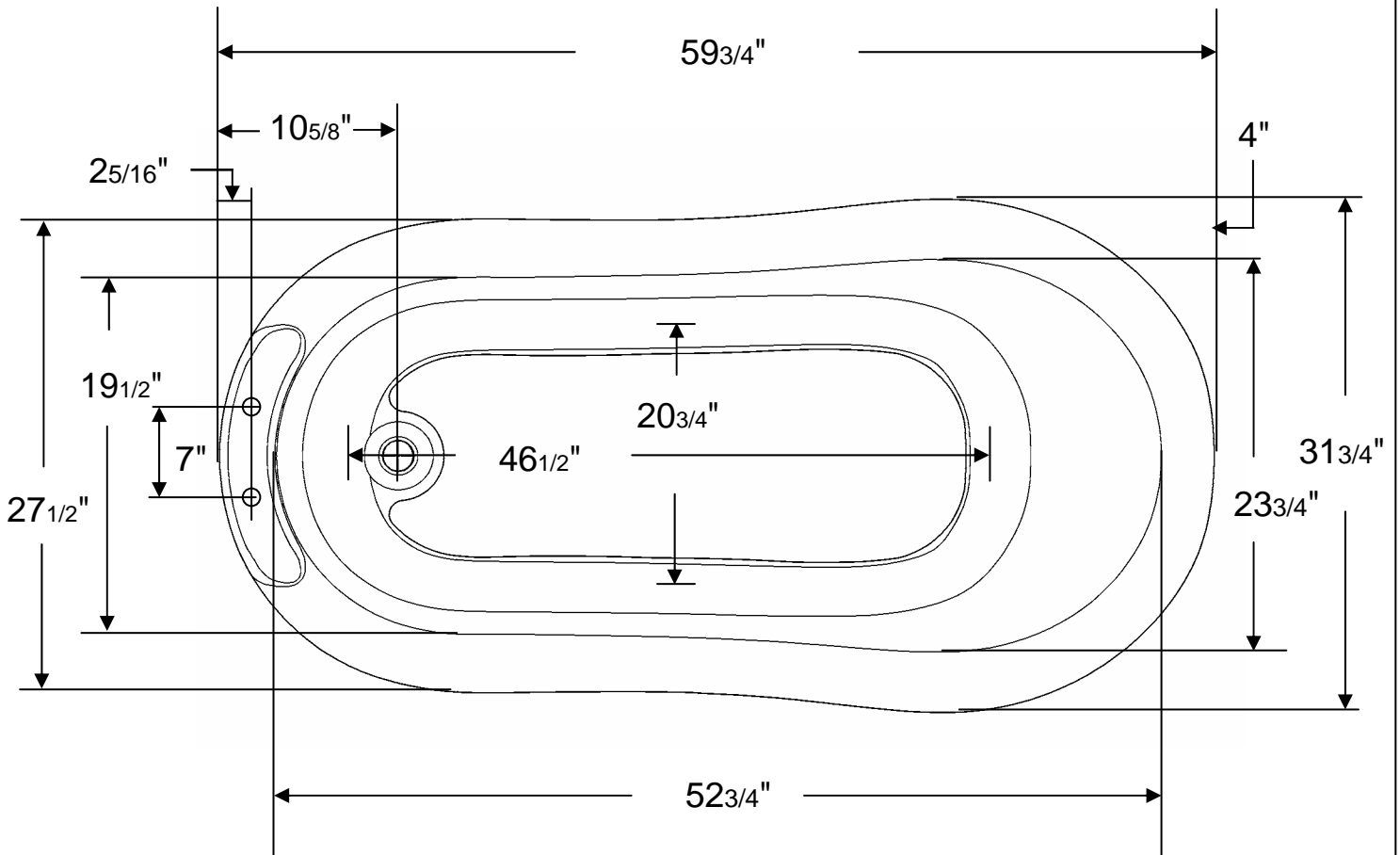
Water Capacity	43 Gal.
Empty Tub weight	109 lbs.
Filled Tub Weight	453 lbs.
Shipping tub weight	125 lbs.
Max Water Depth	12 1/2"
Hole Diameters	
Faucet	1-3/8"
Drain	2"
Overflow	2-1/2"



These dimensions are for reference only,
and can vary +/- 1/4". If exact
measurements are required, please use
the actual tub to be installed.



USASL60

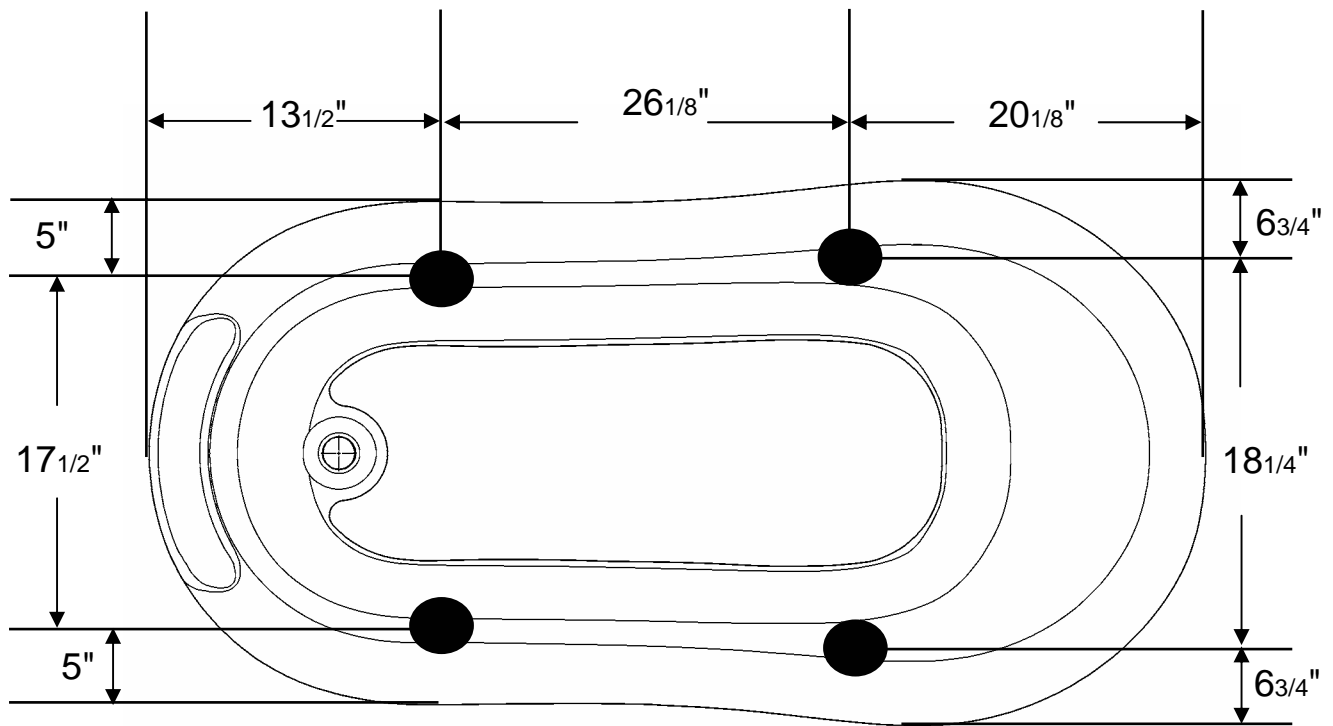


These dimensions are for reference only,
and can vary +/- 1/4". If exact
measurements are required, please use
the actual tub to be installed.



USASL60

Feet location



These Dimensions are for reference only,
and can vary +/- 1/4". If exact
measurements are required, please use
the actual tub to be installed.