

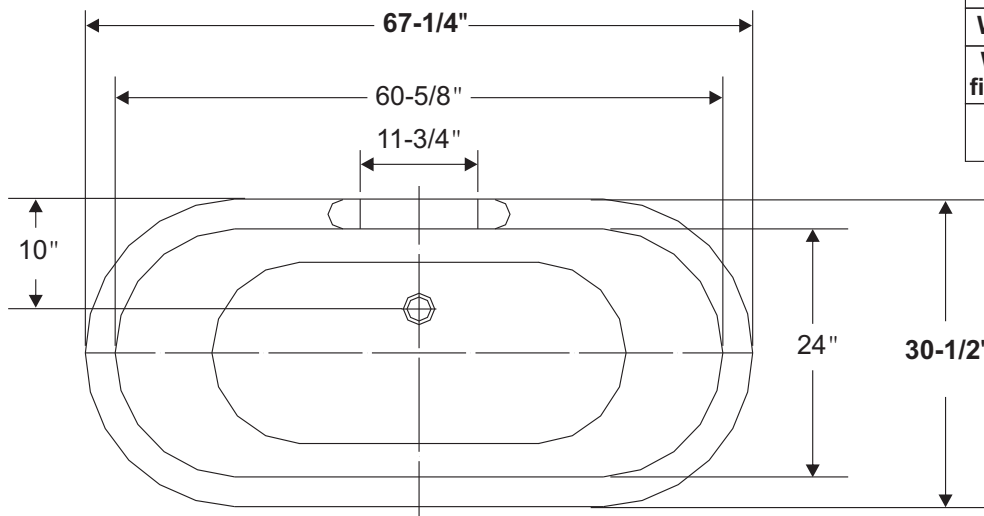


*Elizabethan  
Classics*

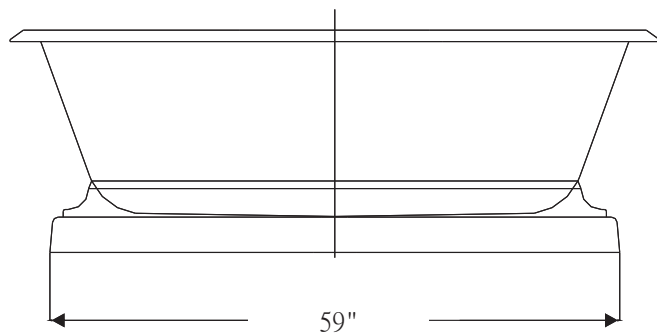
## Specification for ECDUPLNOHOLE

Hole	Diameter
Drain	2" +/- 1/8
Over Flow	2-1/4" +/- 3/16
Faucet	-----
Capacity	55.480 US Gallon
Weight of Tub	313.05 lbs
Weight of Tub filled with water	775.05 lbs
Bathing well	49-5/8" X 18-1/2"

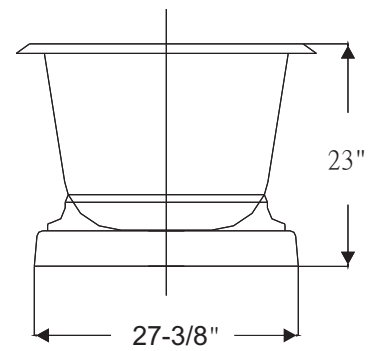
**Top View**



**Side View**



**End View**



Date: 3/10/08