

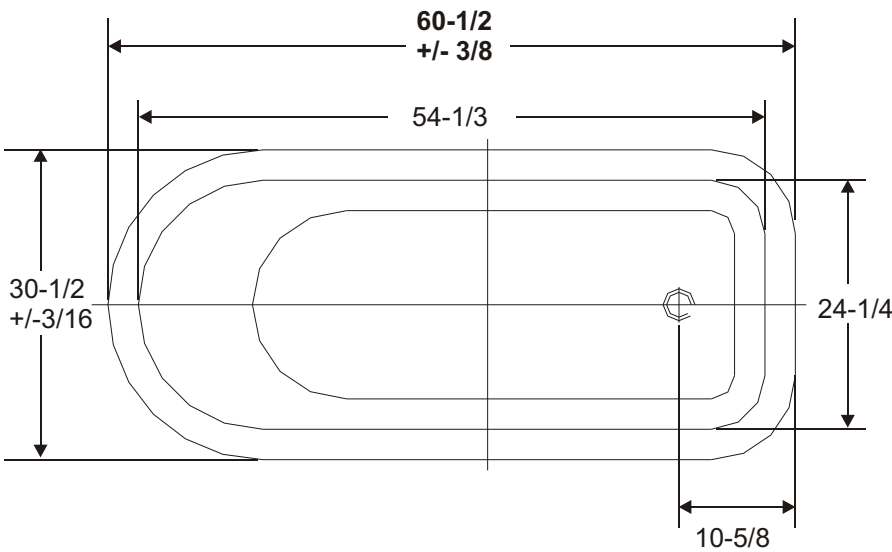


Elizabethan Classics

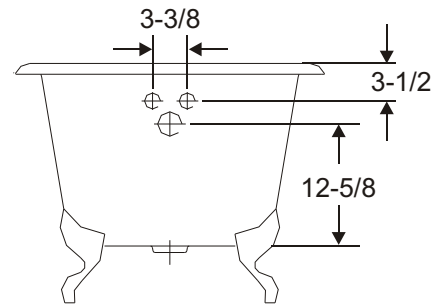
Specification for ECRT60TW

Hole	Diameter
Drain	2" +/- 1/8
Over Flow	2-1/4" +/- 3/16
Faucet	1-3/8" +/- 1/8
Capacity	40.157 US Gallon
Weight of Tub	286.60 lbs
Weight of Tub filled with water	621 lbs

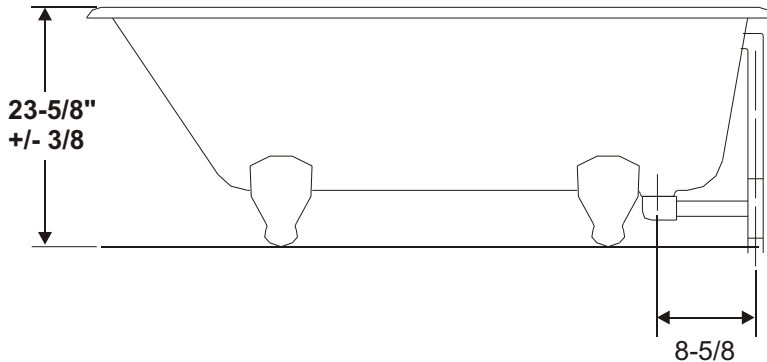
Top View



End View



Side View



FSMR Feet Placement Diagram

