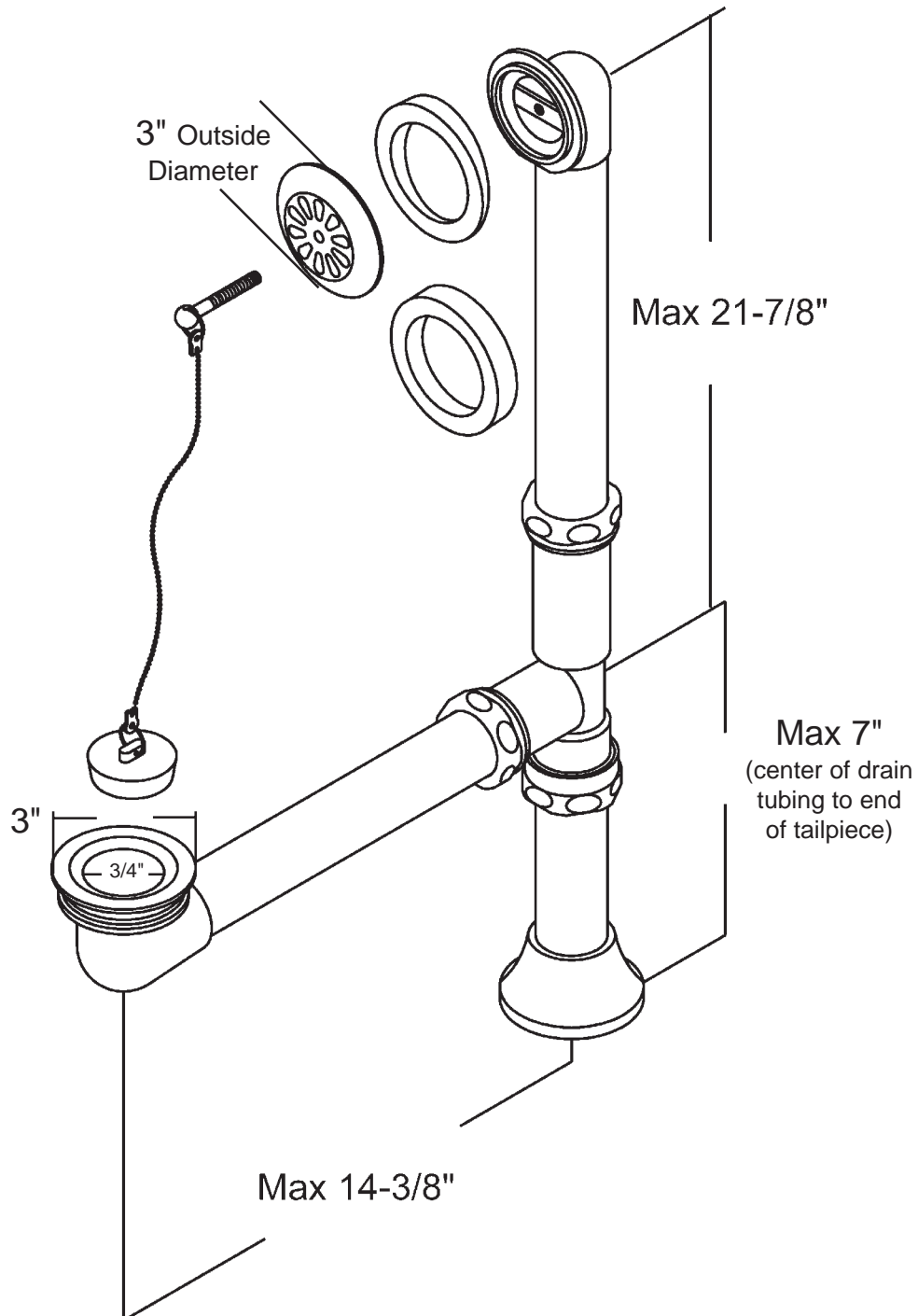




# Specification for LTD

17 Gauge tubing  
Tubing Diameter

1 1/2" OD



Revised 11/02/04