



3X LAYER MESH FILTER



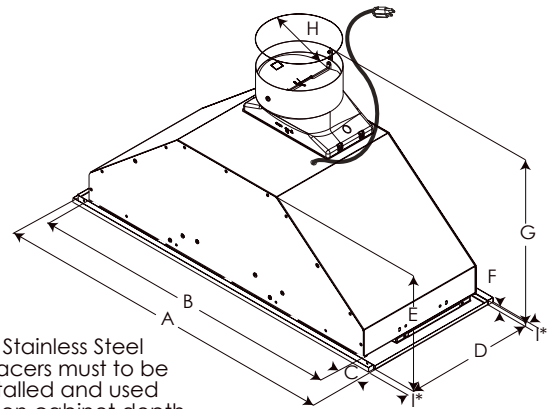
LED LIGHT

## ELICA'S EXCLUSIVE PLUS FEATURES

Asti is designed for discreet mounting inside cabinetry, fits perfectly into 12" deep cabinetry and is ideal for kitchens where space is limited or the range hood needs to be out of sight.

Asti comes equipped with a powerful 400 CFM blower that can handle most cooking needs.

Convenient Backlit Electronic Push Button Controls operate the 3 speed blower and LED lighting, while dishwasher safe anodized aluminum mesh filters offer easy maintenance. Asti is designed for standard ducted or recirculating installation.



I\* - Stainless Steel Spacers must be installed and used when cabinet depth is greater than 12".



≥24"



≥30"

MOUNTING HEIGHT RANGE

	EAS422SS	EAS428S1	EAS430SS
A	22 1/4" (57.1 cm)	28 1/4" (71.8 cm)	30" (76.2 cm)
B	19 1/16" (50 cm)	26" (66 cm)	26" (66.1 cm)
C	1 5/16" (2.9 cm)	2" (5.1 cm)	
D	10 3/4" (27.3 cm)	11 7/8" (30.2 cm)	
E	9 17/32" (24.2 cm)	9 1/8" (23.1 cm)	
F	5/16" (.85 cm)	5/16" (.85 cm)	
G	14 9/16" (37 cm)	13 5/8" (33.7 cm)	
H	6" (15.2 cm)	6" (15.2 cm)	
I*	1/2" (1.27 cm)	1/2" (1.27 cm)	

## SPECIFICATIONS



	22" Unit	28" Unit	30" Unit
Model:	EAS422SS	EAS428S1	EAS430SS
Dimensions:	22 1/4 "W x 10 3/4"D x 9 1/2" H	28 1/4 "W x 10 3/4 "D x 9 1/2" H	30 "W x 11 31/32 "D x 13 5/8" H
Blower Type(internal):	400 CFM (3 -speed)	400 CFM (3 -speed)	400 CFM (3 -speed)
Blower Performance:			
Speed 1	160 CFM	160 CFM	160 CFM
Speed 2	280 CFM	280 CFM	280 CFM
Speed 3	400 CFM	400 CFM	400 CFM
Noise (sones):	Min: 1.5, Max: 5.9	Min: 1.5, Max: 5.9	
Working Speed			
Finish:	Stainless Steel	Stainless Steel	Stainless Steel
Controls:	Backlit electronic Push Button 3-Speed		Mechanical Push Button
Illumination:	2 LED, 2.1 Watts	2 LED, 2.1 Watts	2 LED, 6.5 Watts
Filter Type:	Dishwasher-Safe, Anodized Aluminum Mesh Filter		Dishwasher-Safe, Anodized Aluminum Mesh Filter with stainless steel layer
Aluminum Mesh Filters:	1	2	2
Duct Transition:	6" Round with Back Draft Damper (top only)		
Installation Type:	Ducted (Recirculating Kit sold separately)		
Electrical:	120 V - 60 Hz 340 Wattage		
KITS:			
Recirculating Kit with 2 carbon filters:	KIT02770	KIT02770	KIT02770
30" Hood Liner (29" Wx17 1/2" -20 1/2" D):		KIT02773	KIT02773
36" Hood Liner (35" Wx17 1/2" -20 1/2" D):		KIT02774	
CONSUMABLE PARTS:			
Grease Filter (1):	GF08PA	GF08P	
Carbon Filter(1):	FB016A	FB016A	
Light Bulb (1):	LMP0117673	LMP0117673	

\*Consumable parts are sold in units of one (1). Order accordingly

\*The product images shown are for illustration purposes only and may not be an exact representation of the product.

## PLUS FEATURES



**3X LAYER GREASE FILTER** - Elica aluminum mesh filters are a step above competition, featuring triple layered, anodized aluminum that is woven into a highly dense mesh. The thick mesh captures more grease, anodization helps resist staining and provides durability to repeated cleanings in the dishwasher.



**LED LIGHT** - LED lighting is undoubtedly the smartest solution in terms of energy saving. Expected life time of over 20,000 hours, represents the most remarkable advantage of LED light bulbs.