



## MODENA UNDER CABINET

## TECHNE SERIES



LED light with dimmer

Modena offers a classic designer chimney appearance for under-cabinet installations, with a striking 9" high pyramid shape. Modena also provides high-end features not commonly found in under-cabinet hoods, including 520 CFM blower, LED dimmable lighting, stainless steel microhole filters and easy to use glass capacitive touch controls that deliver convenience and safety. Available in 30" or 36" width, and designed for standard ducted installation, Modena can also be installed as a recirculating system using the kit available as an accessory. For design versatility to suit almost any kitchen.

### Dimensions | Models

30"W x 20"D x 9"H | EMD530S3  
MODENA 30"

36"W x 20"D x 9"H | EMD536S3  
MODENA 36"



AMBIENT LIGHT



LED LIGHT



HUSH



DIM-LIGHT



TOP PERFORMANCE

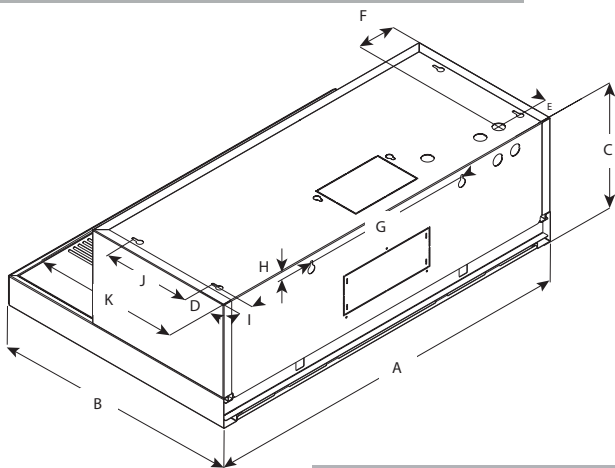


CRS  
CFM REDUCTION

FEATURES

Size (in) & Type	30" or 36" wide Under cabinet Chimney
Finish	Stainless Steel + Black Glass
Controls	Touch Control 3S + Booster
Illumination	2 Premium LED Dimmable Lights
Installation Type	Ducted
Blower Type	Speed 1, 170 CFM Speed 2, 280 CFM Speed 3, 430 CFM Speed 4, 520 CFM
Filter Type	2 Dishwasher- Safe, Stainless Steel Microhole Filter
Noise (sones):	Min: 1.73, Max: 6 Sones
Duct Transition	Rectangular 3" x 1/4" x 10"
Electrical	120 Volts, 60 Hertz, 455 Watts, 3.8 Amps

Line Drawing



	Models	
	EMD530S3	EMD536S3
<b>A</b>	30" (76 cm)	36" (91.2 cm)
<b>B</b>	19 5/8" (50 cm)	
<b>C</b>	9 3/4" (25 cm)	
<b>D</b>	2 3/16" (5.5 cm)	
<b>E</b>	1 9/16" (4 cm)	
<b>F</b>	3" (7.6 cm)	5 3/4" (14.6 cm)
<b>G</b>	13 3/16" (35 cm)	
<b>H</b>	5/8" (1.6 cm)	
<b>I</b>	1 1/16" (3 cm)	
<b>J</b>	7 1/4" (18.4 cm)	
<b>K</b>	12" (30.5 cm)	

For gas range installation: Mount this hood so that the bottom edge is at minimum 27"(68.6 cm) above the cooking surface.  
For electric range installation: mount this hood so that the bottom is not less than 24"(61 cm).

PLUS



TOP PERFORMANCE

with an average aspiration range of 600 CFM's. With a noise level between 60-65 db(A) at maximum speed (reference point varies based on the hood category).



AMBIENT LIGHT

Elica studies on hood lighting leaves no stone unturned. Here we have thought about products not only able to light the cooktop, but the entire kitchen space. And so the hood is transformed: from a kitchen appliance to a true lighting element. Considering the design of Elica hoods, it is not hard to imagine how this option is unique, and represents one extraordinary point of strength for us.



LED LIGHT

LED lighting is undoubtedly the smartest solution in terms of energy saving. Expected life time of over 20,000 hours, represents the most remarkable advantage of LED light bulbs.



DIM-LIGHT

The Dimmer allows you to adjust the brightness of the light as you wish. With Elica, lighting is customized in a discreet, personal and practical way, in order to contribute in creating the perfect kitchen atmosphere.



CFM REDUCTION

CFM Reduction System (CRS), is an exclusive feature to Elica hoods, which enables the installer to reduce the maximum blower CFM, to meet local code requirements.



HUSH SYSTEM

An exclusive sound deadening technology that effectively reduces sound levels by over 35%, compared to typical range hoods.

Accessories

**Optional Recirculating Kit**  
CODE: KITO2667 / (30", 40")