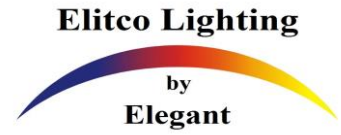


TC6R-E26

6" LINE VOLTAGE REMODEL NONIC HOUSING 120V PAR38 BR40 Housing



Project

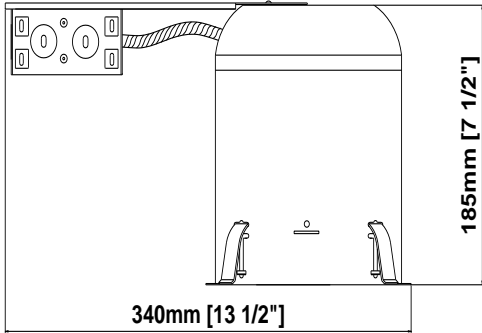
Location

PRODUCT DESCRIPTION

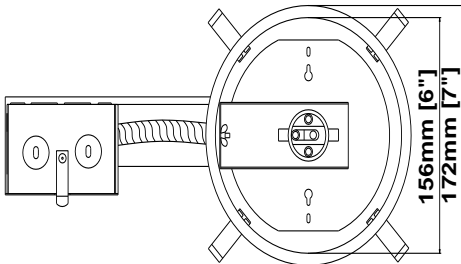
TC6R-E26 housing is designed for IC rated airtight ceiling. Accommodates up to 150W PAR38/R40; PAR30&PAR38 LED LAMP and A19 lamps.

SPECIFICATIONS

HOUSING: Pre-wired.042" aluminum housing adjusts up to 1 3/4" ceiling thickness. Trim is secured with torsion wing springs/standard coil springs. NONIC rated housing may have direct contact with insulation.



MOUNTING FRAME: 4High tension remodeling clips designed to secure the housing to an existing sheet rock ceiling



JUNCTION BOX: Pre-wired, galvanized steel J-box (25 cubic-inch) with (4) 1/2", (3) 3/4", and (4) Romex knock-outs. Comes with WAGO connectors. Strain clamps and ground wire. Equipped with safety standard thermal protector rated for 75C.

LABELS: ETL/CETL listed (ETL listed number: 4005878) ETL listed for through-branch wiring (8) No. 12 AWG 90°C and damp locations.